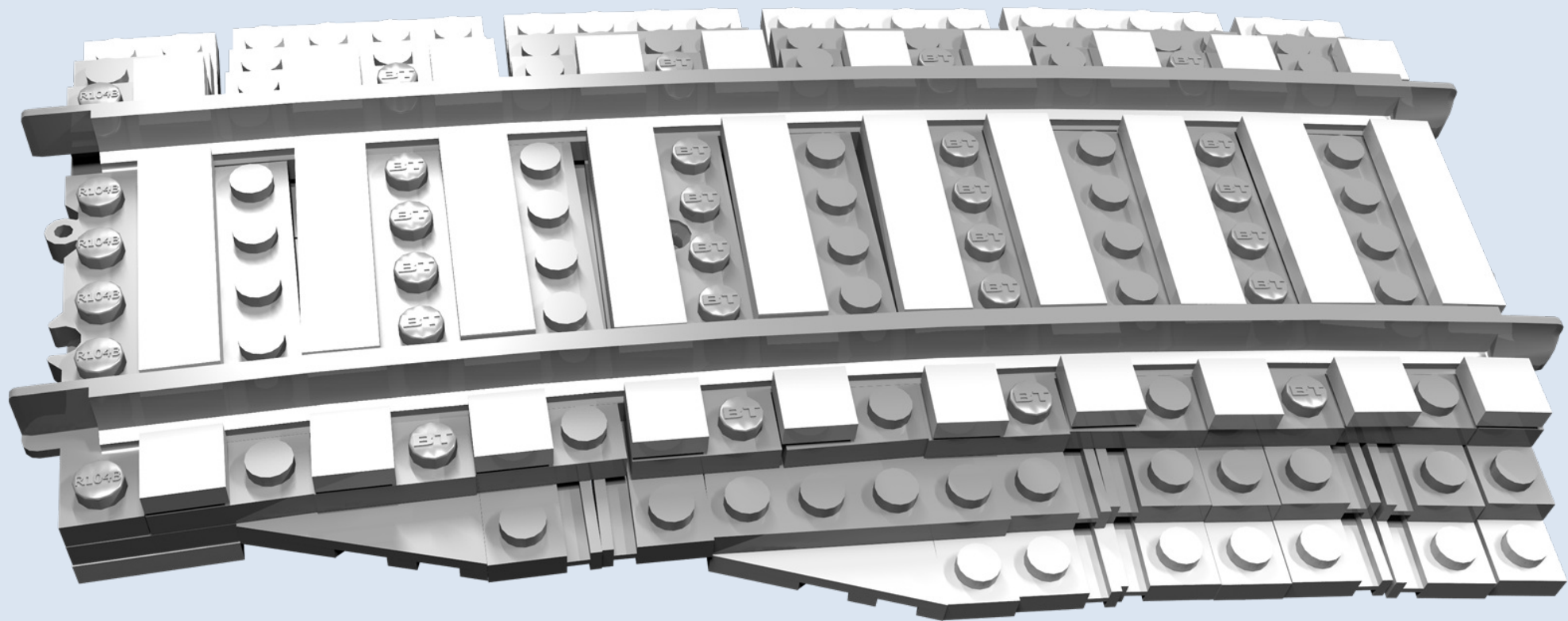
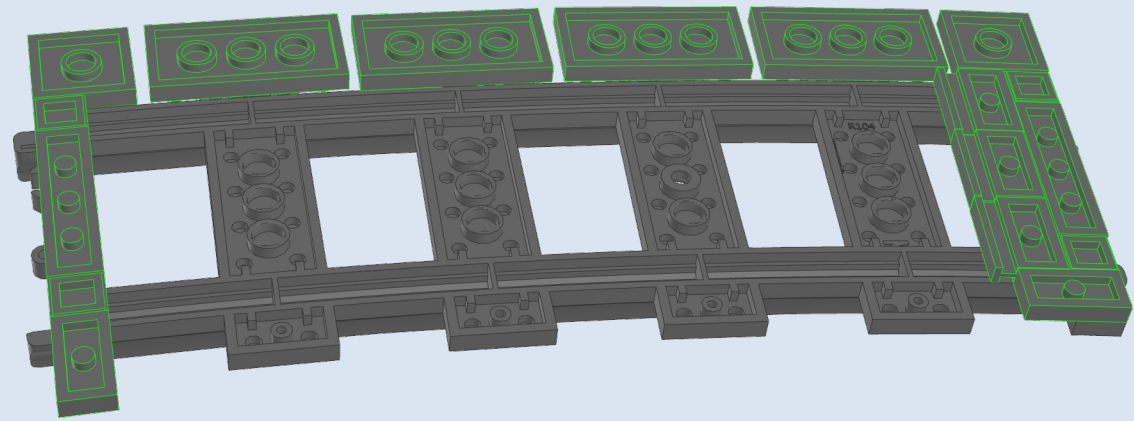
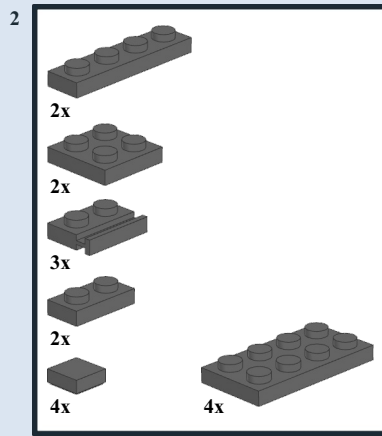
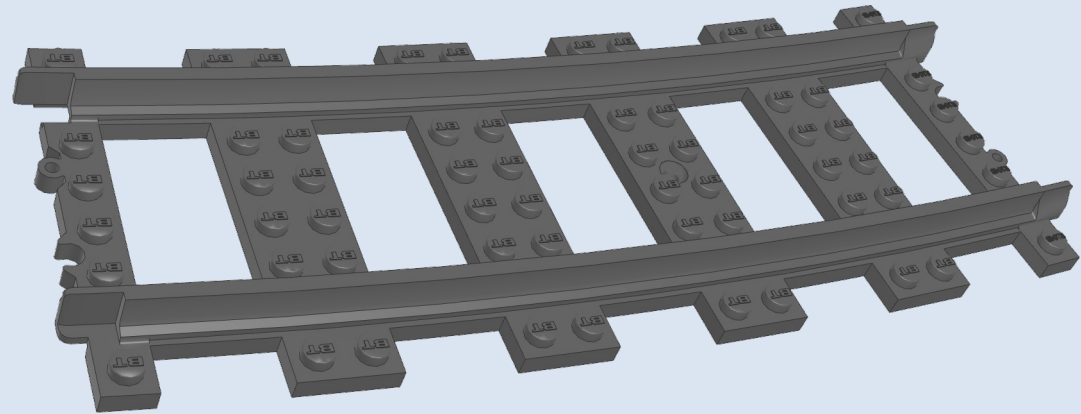
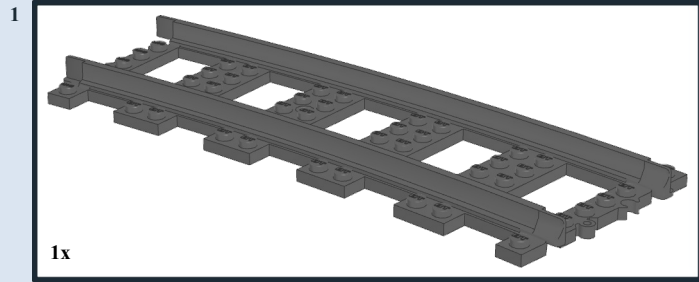
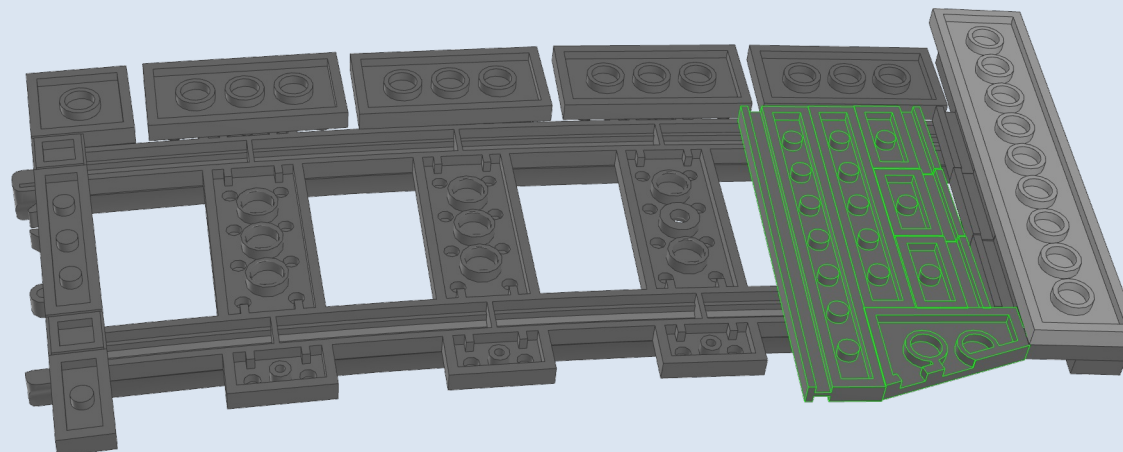
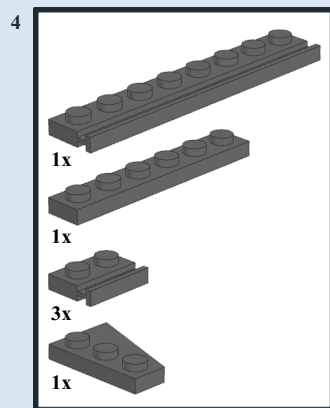
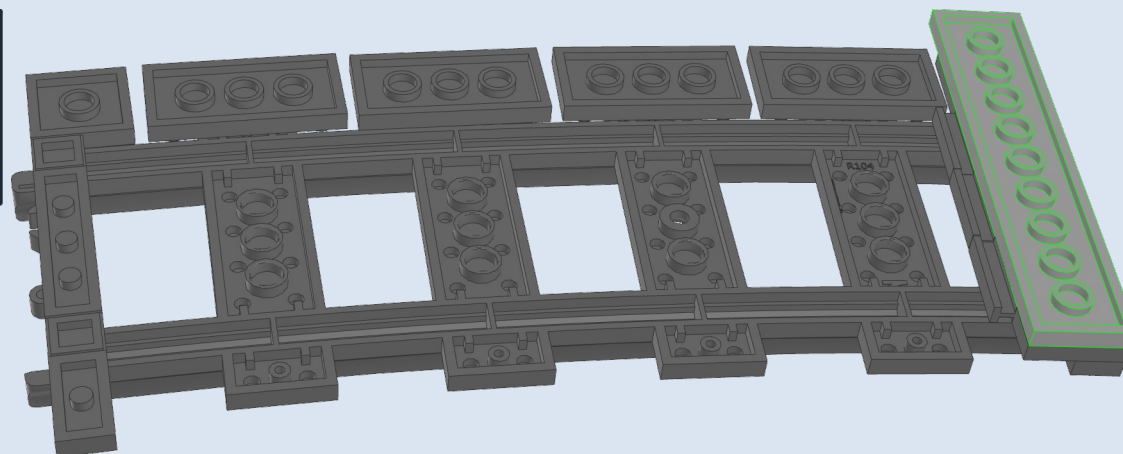
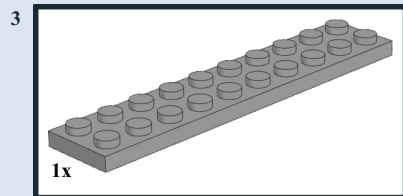
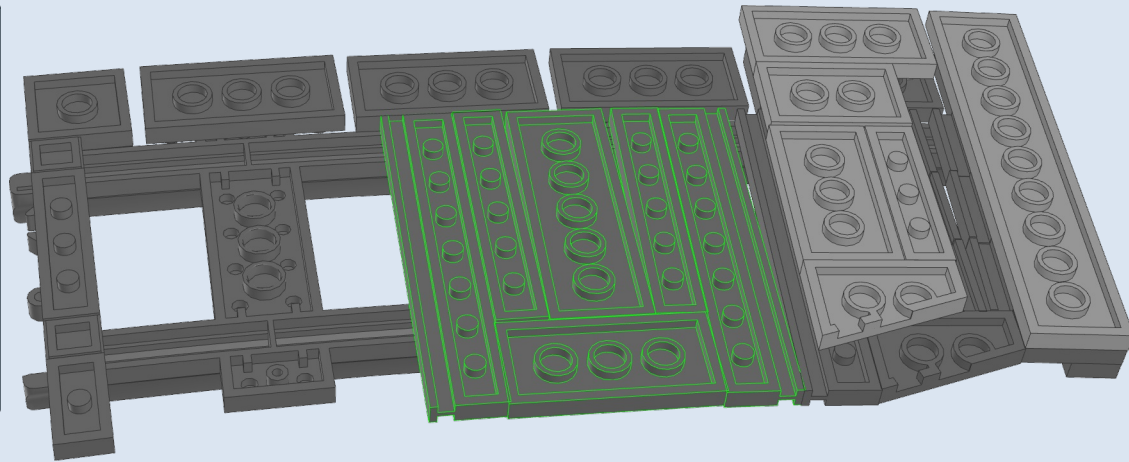
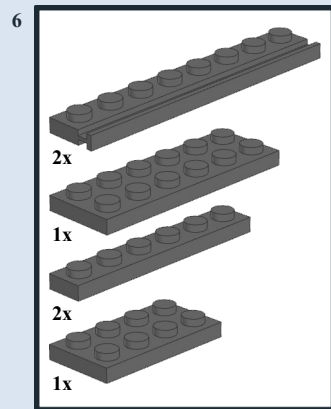
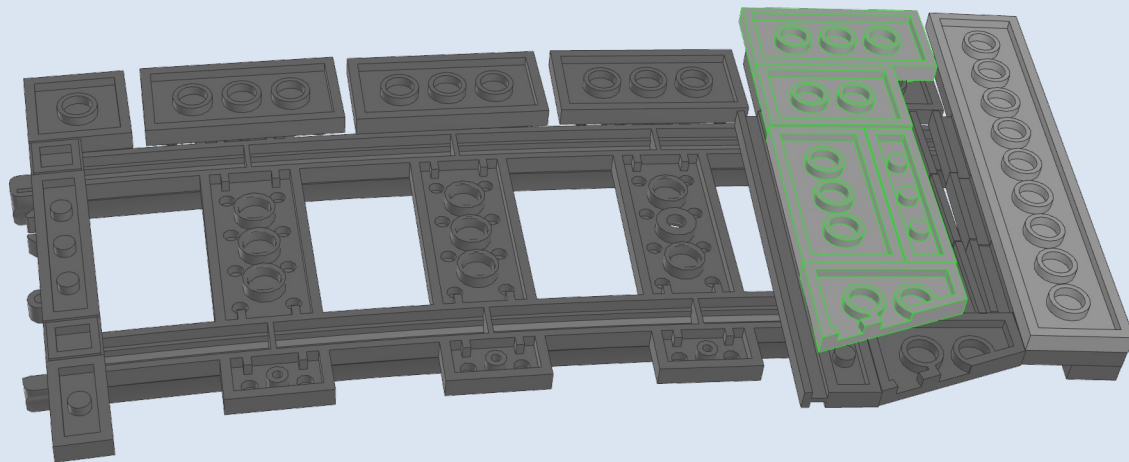
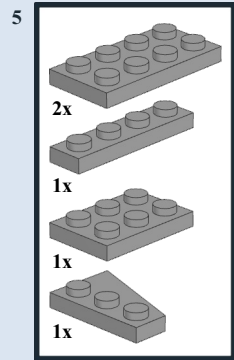


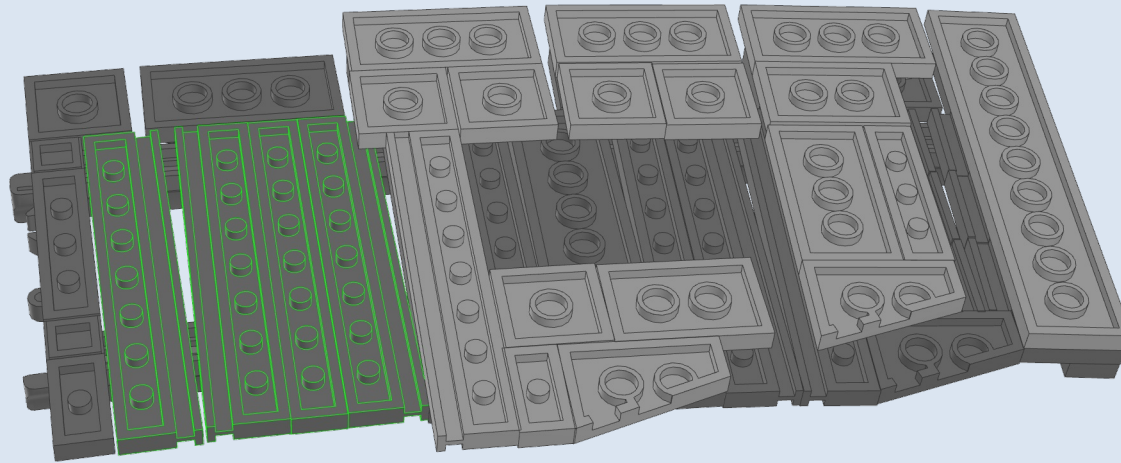
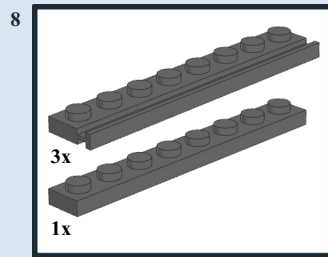
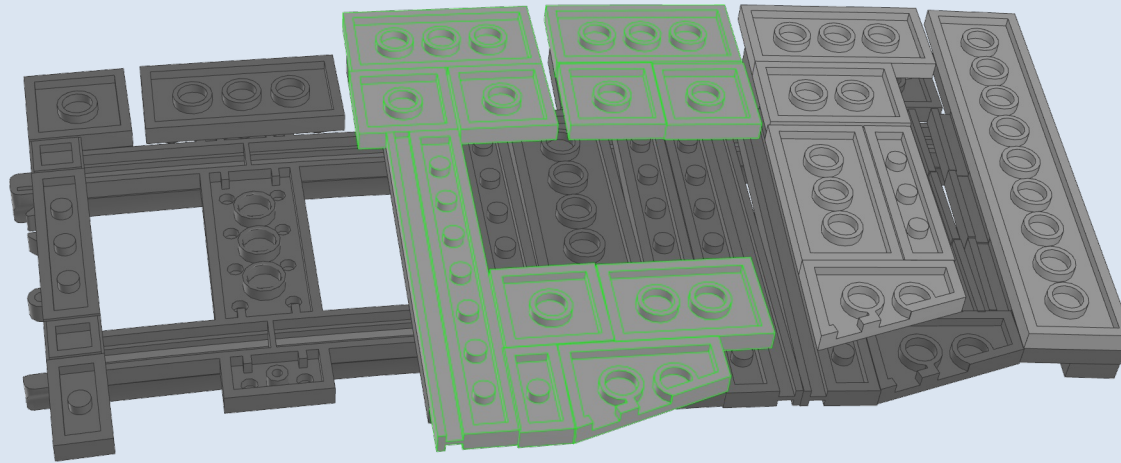
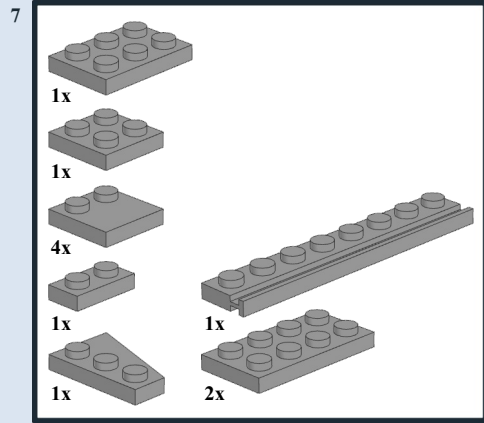
R104B Siding Curve Left Ballasted BrickTracks



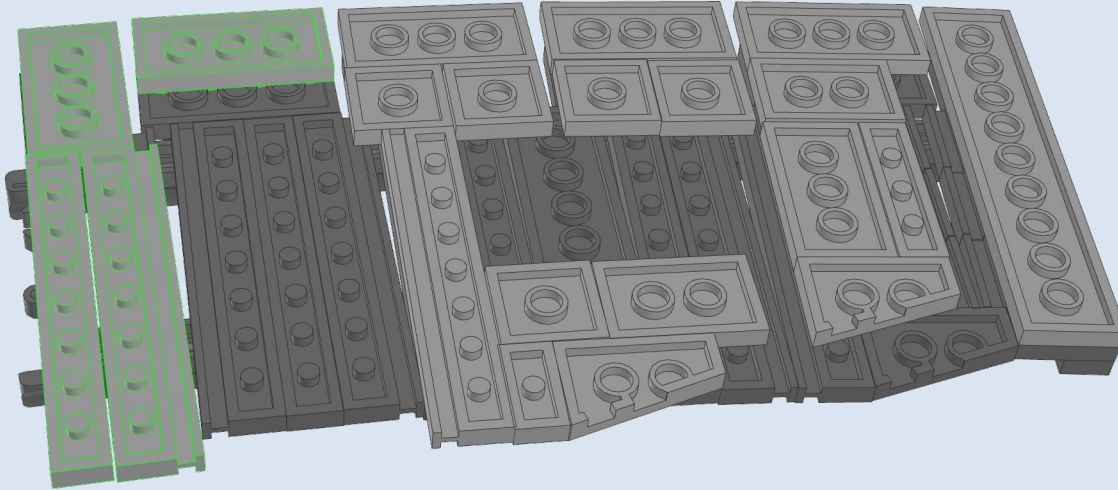
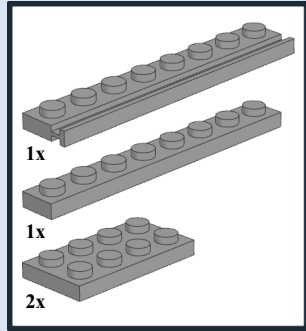




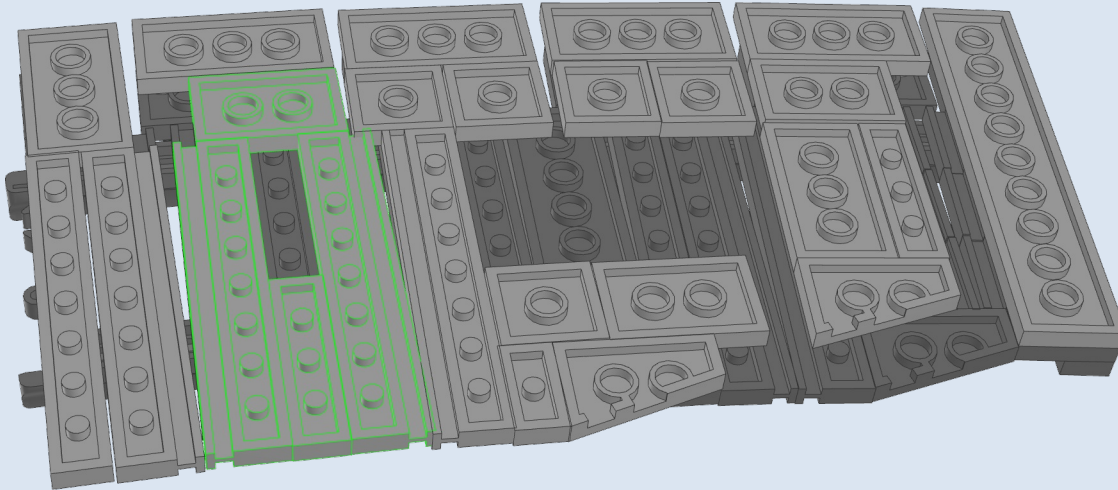
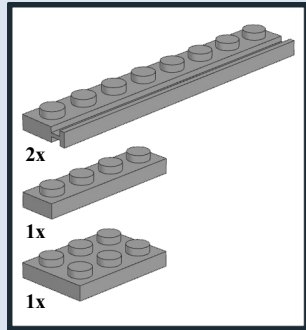




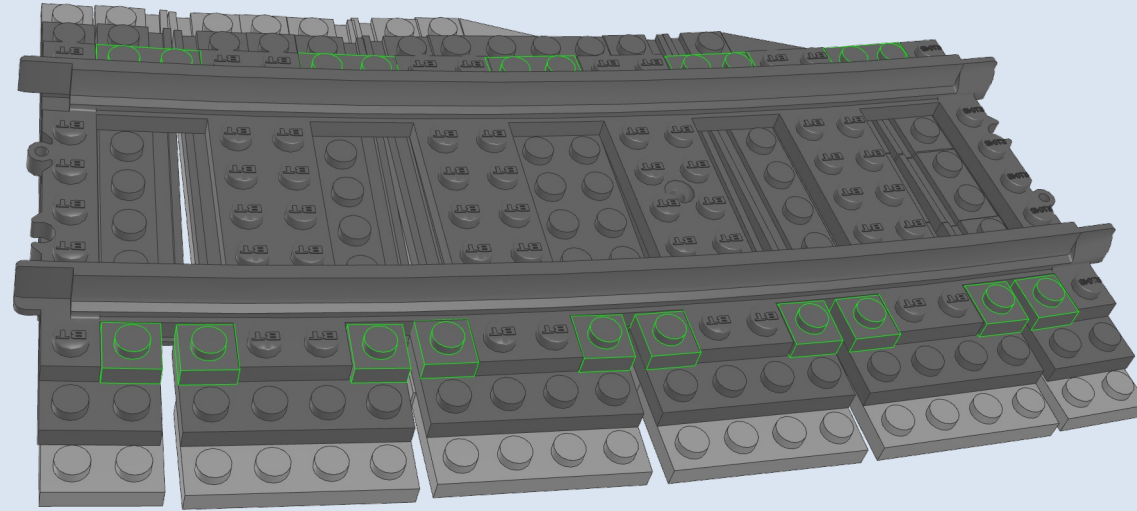
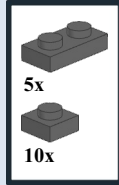
9



10



11



12

