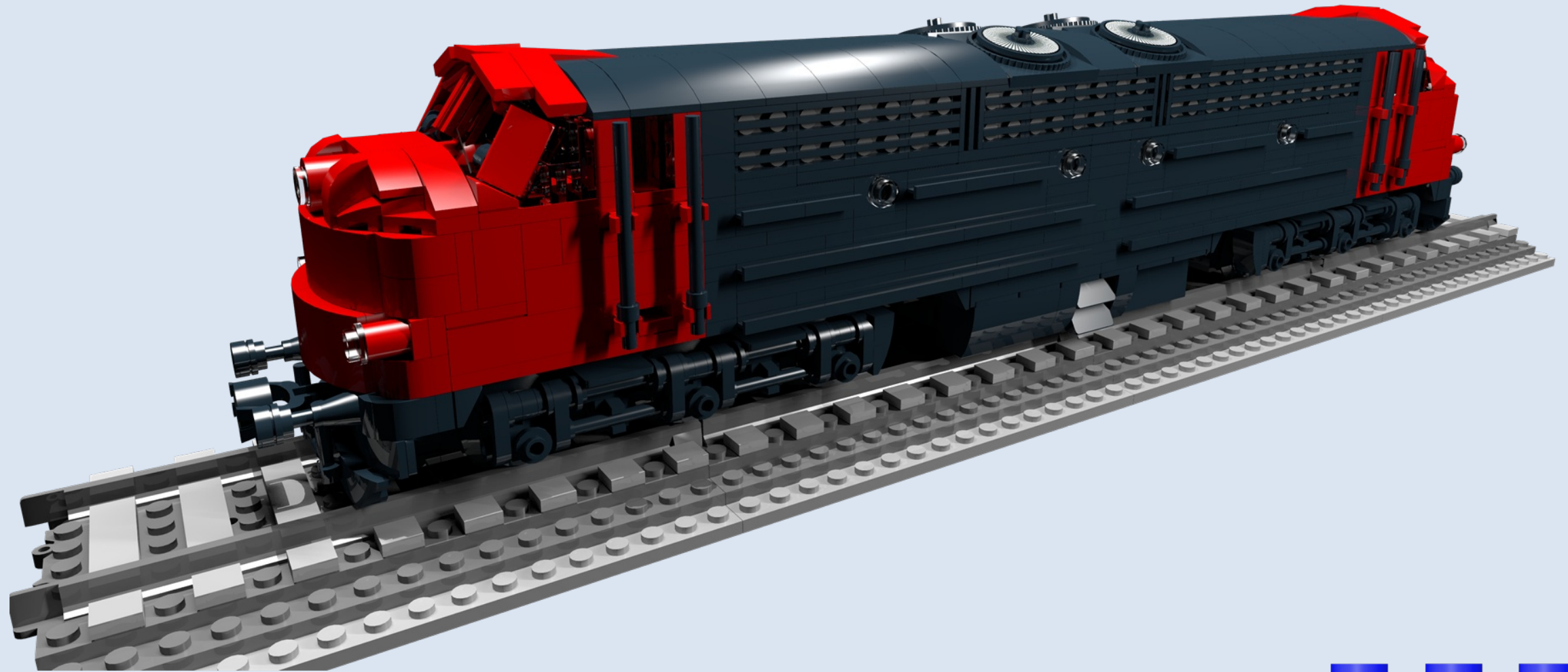
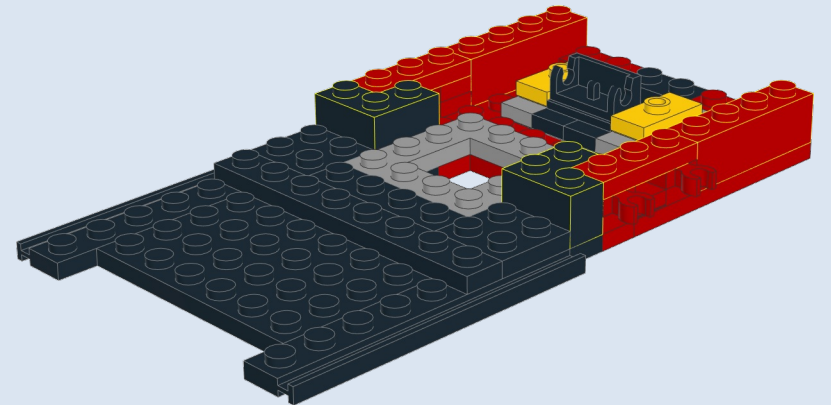
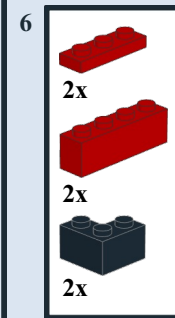
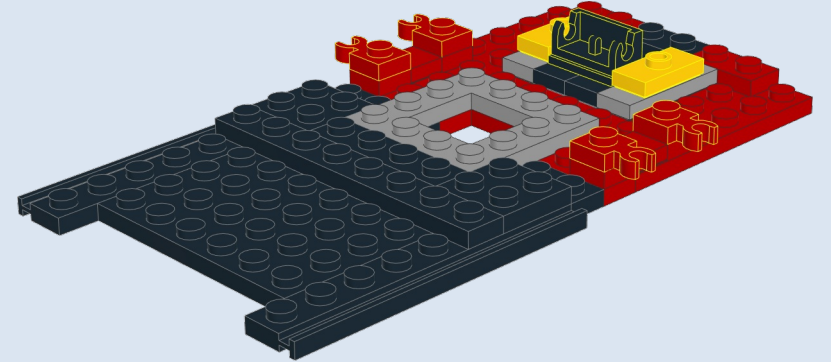
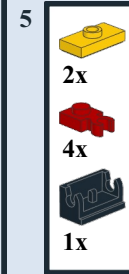
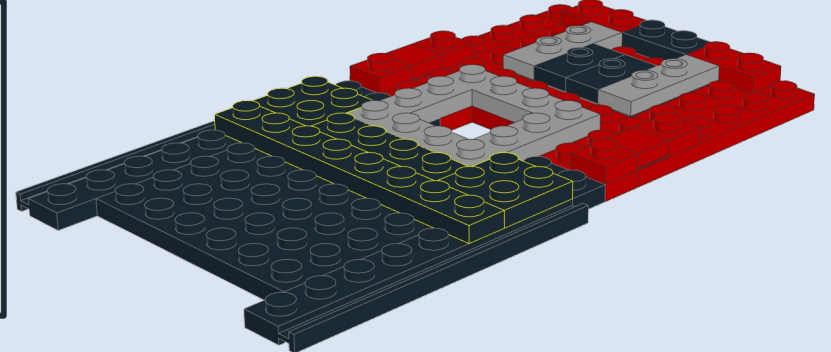
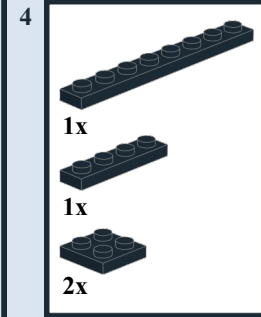
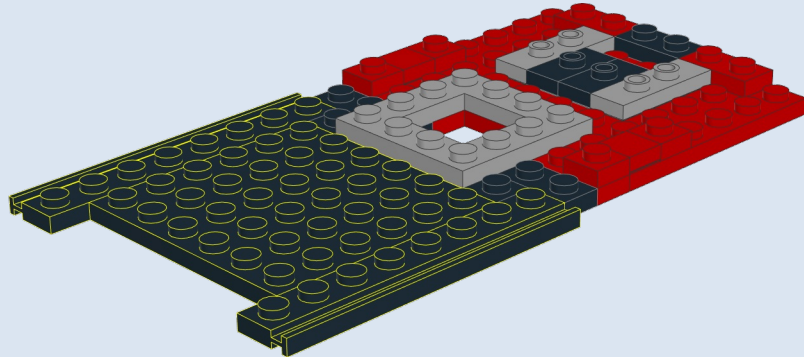
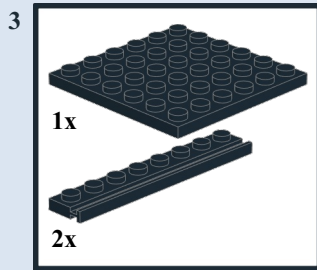
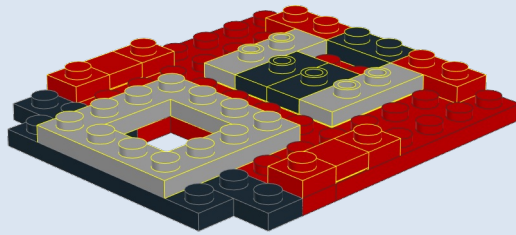
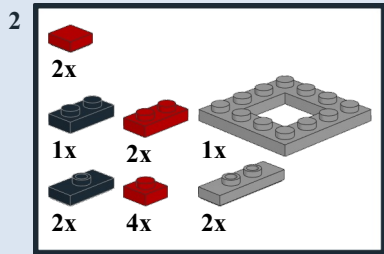
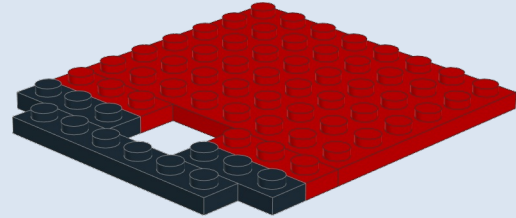
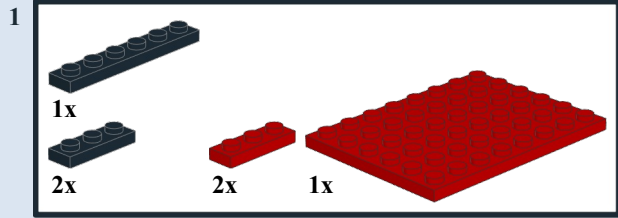
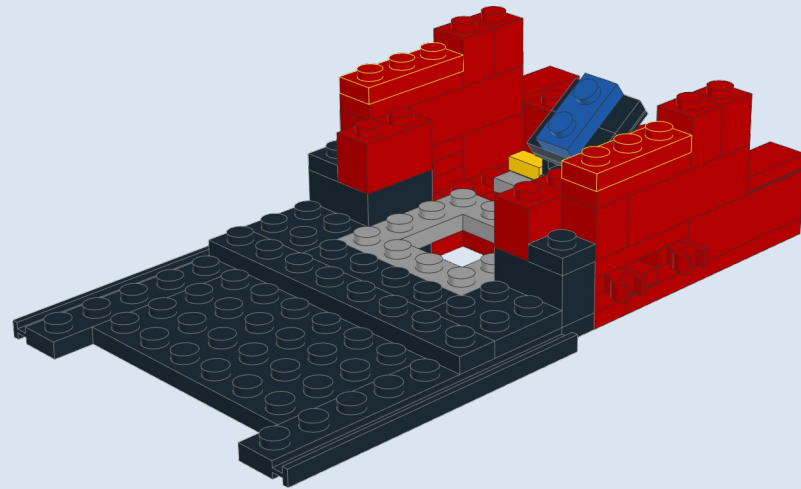
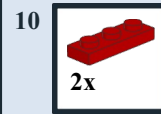
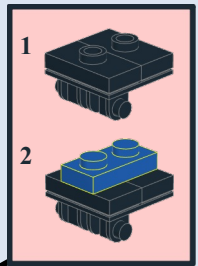
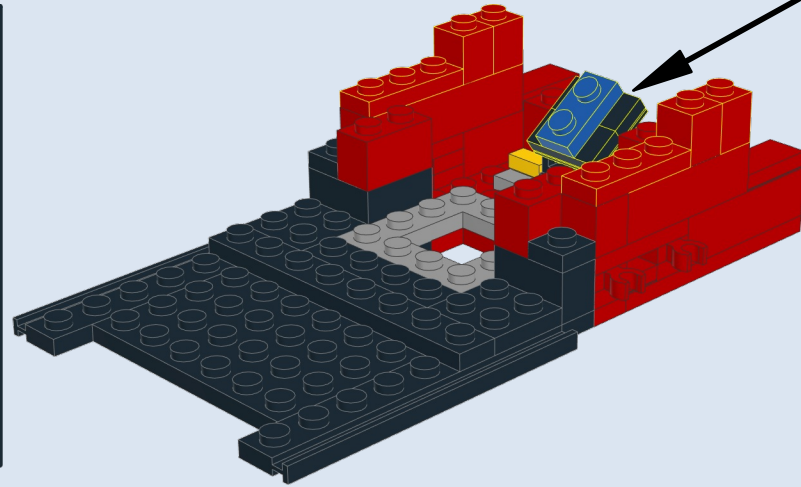
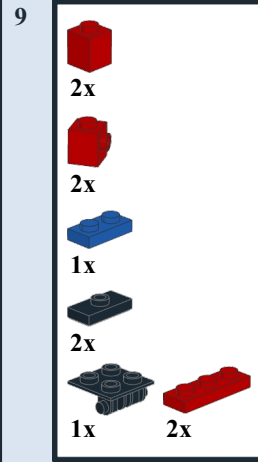
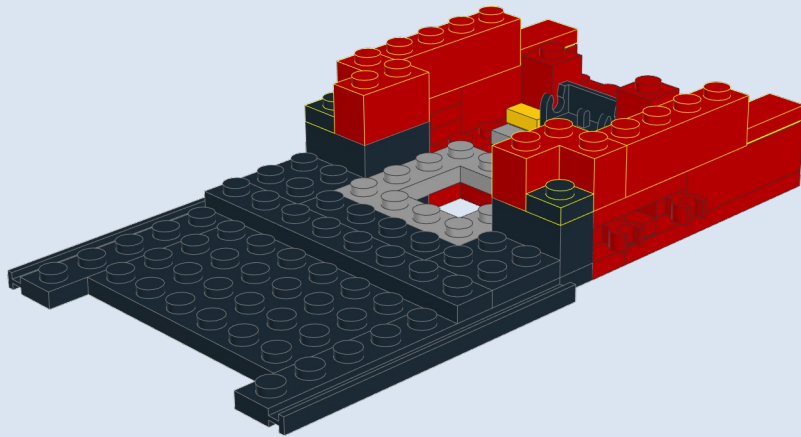
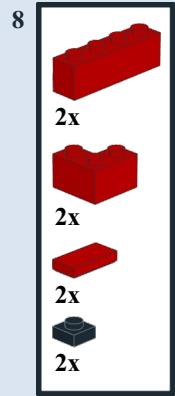
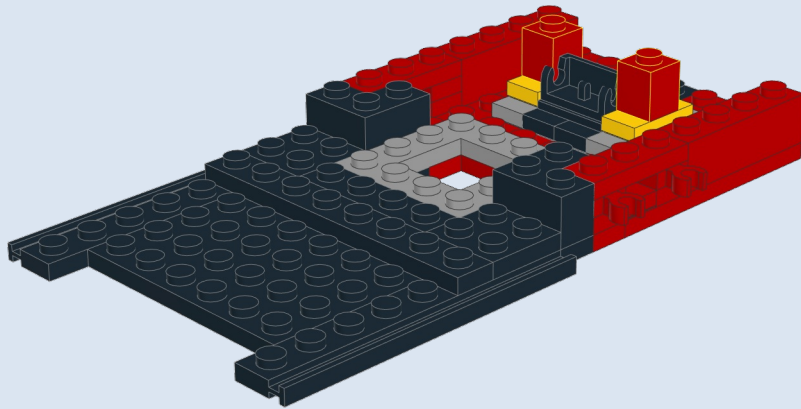
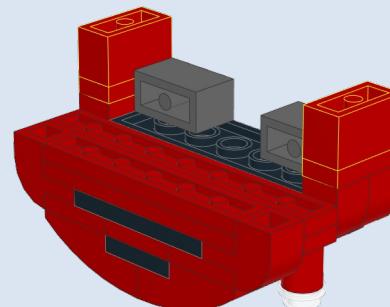
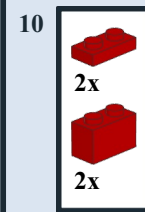
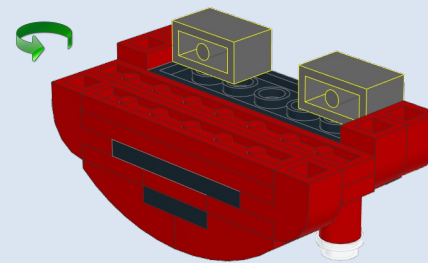
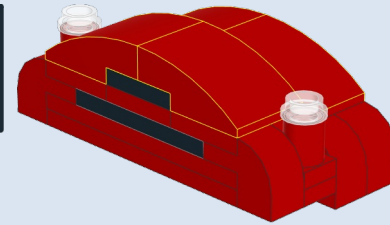
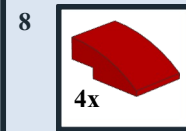
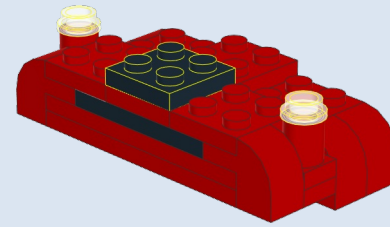
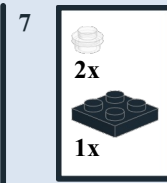
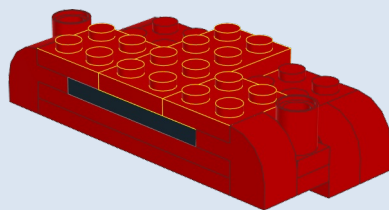
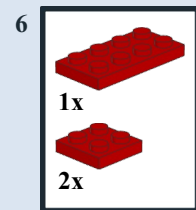
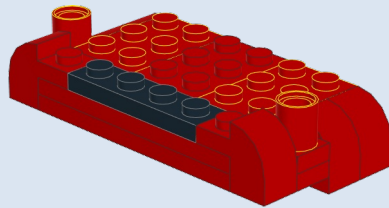
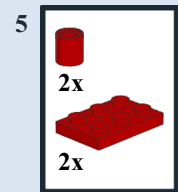
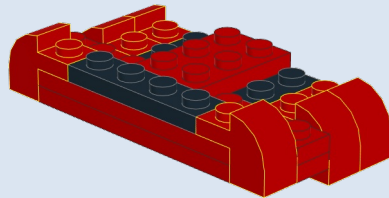
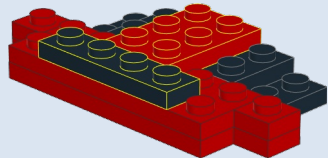
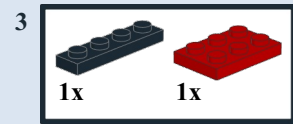
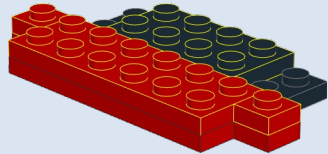
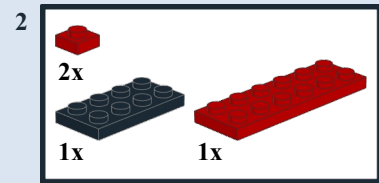
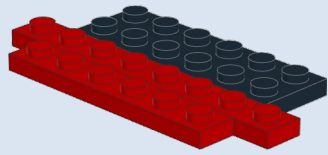
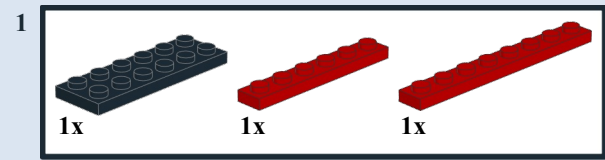


DSB Litra MY 8W

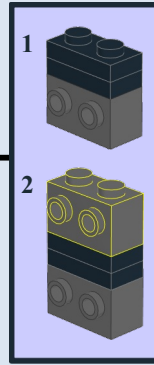
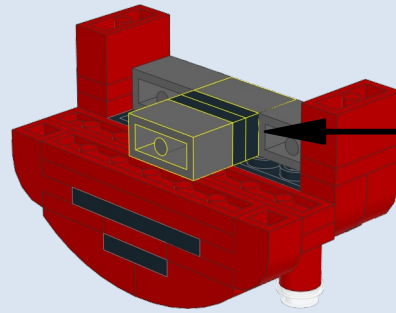




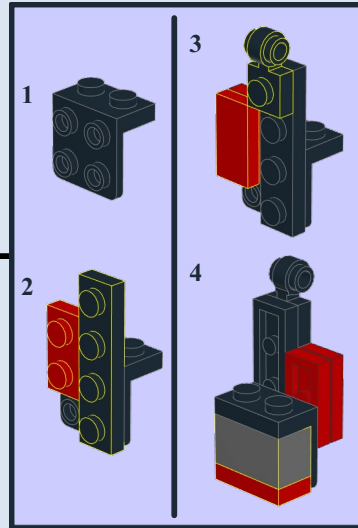
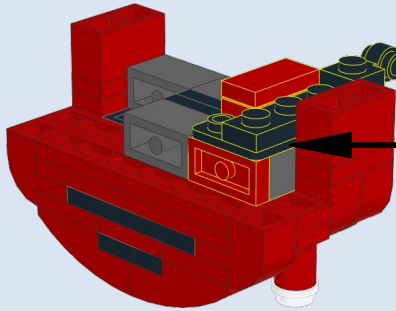
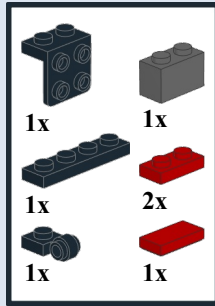




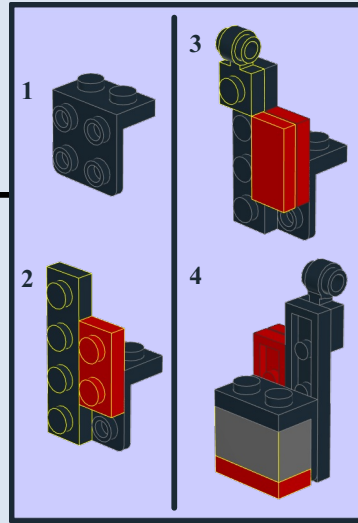
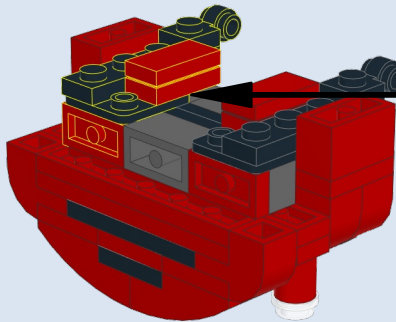
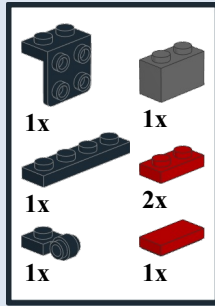
11



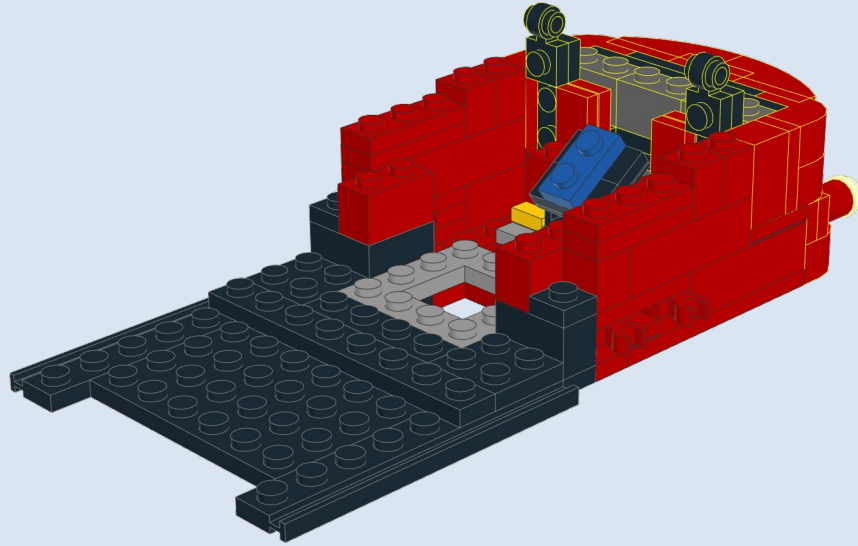
12



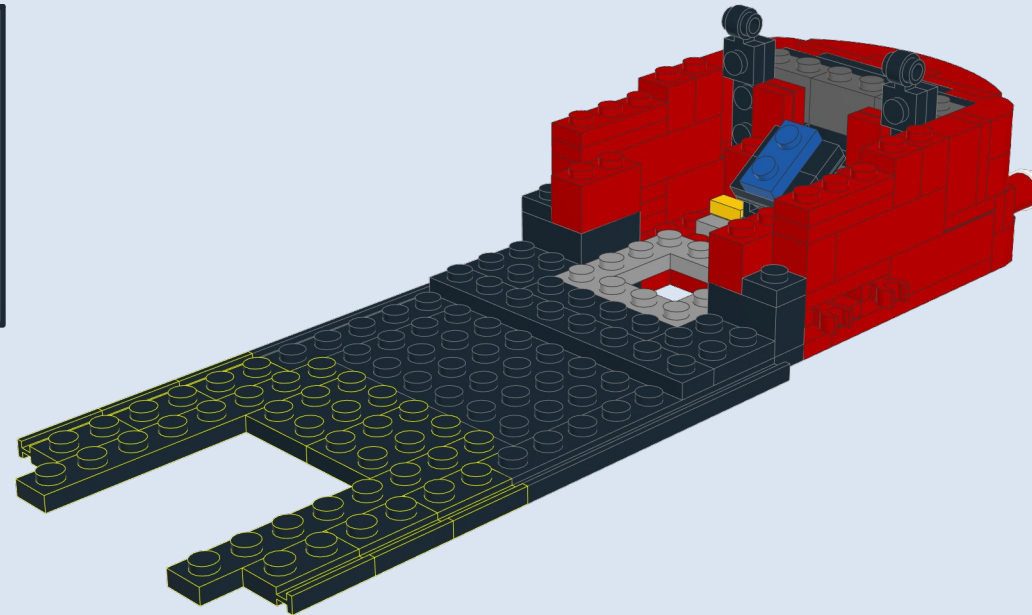
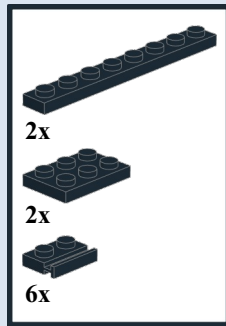
13



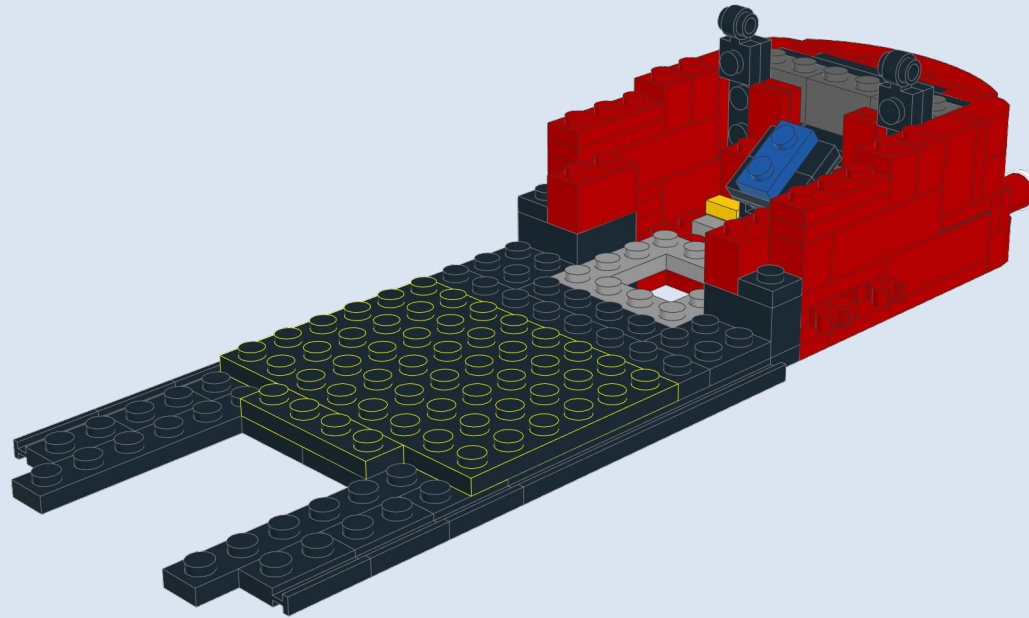
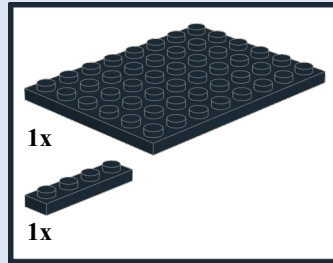
11



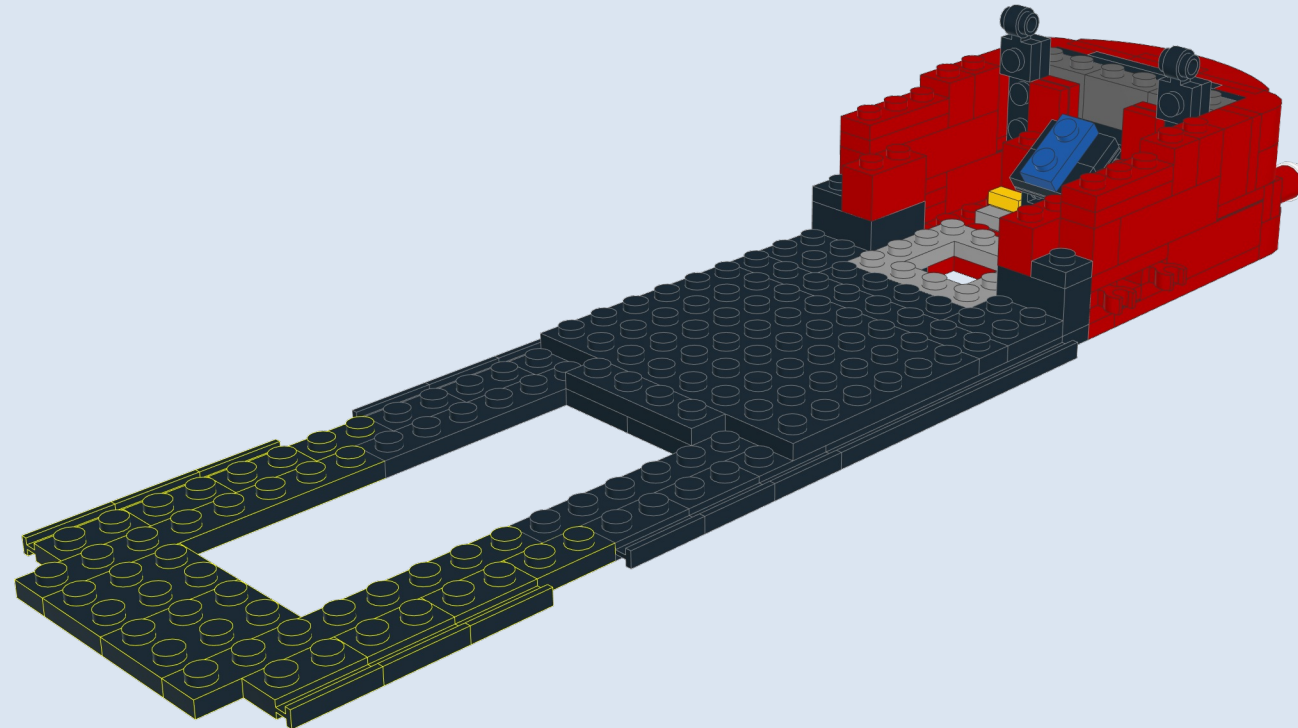
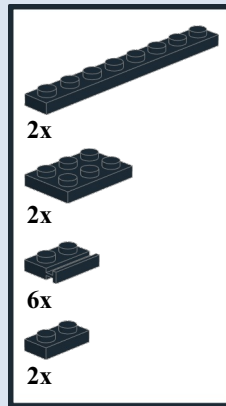
12



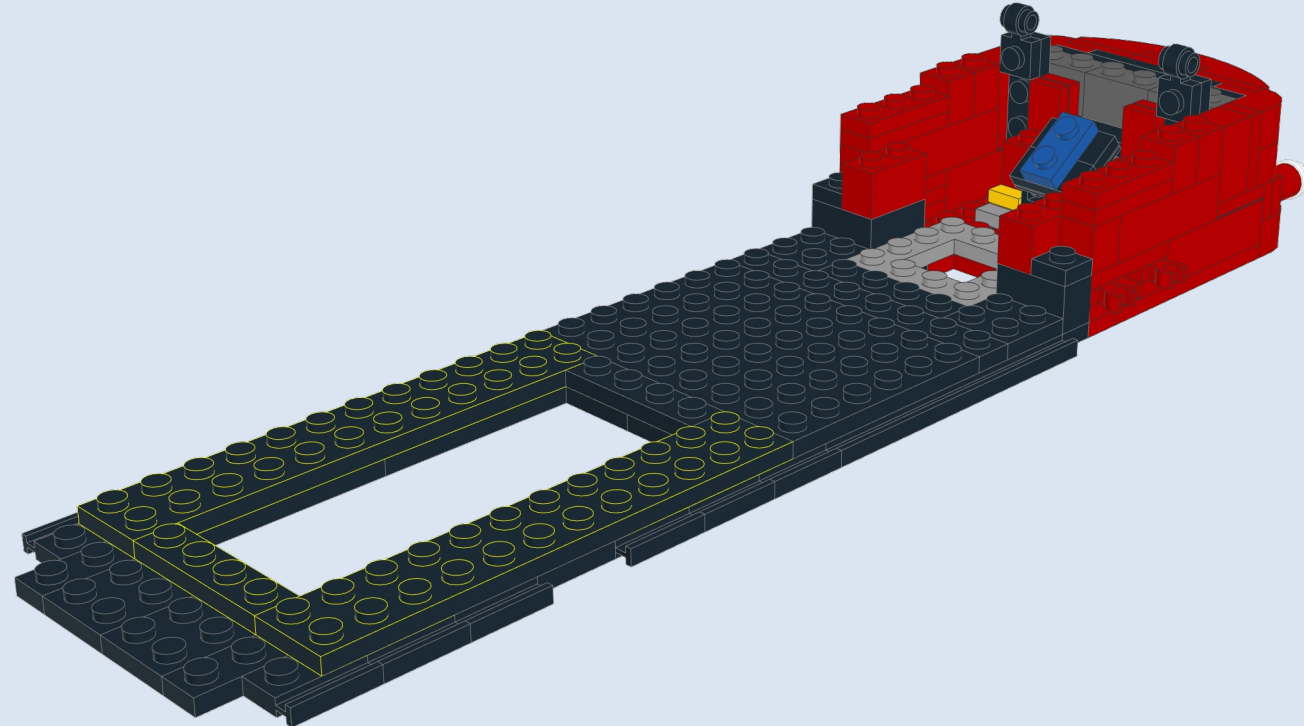
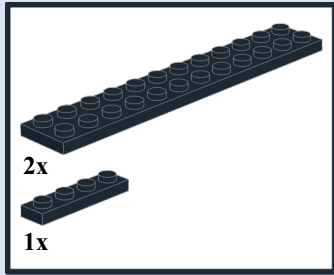
13



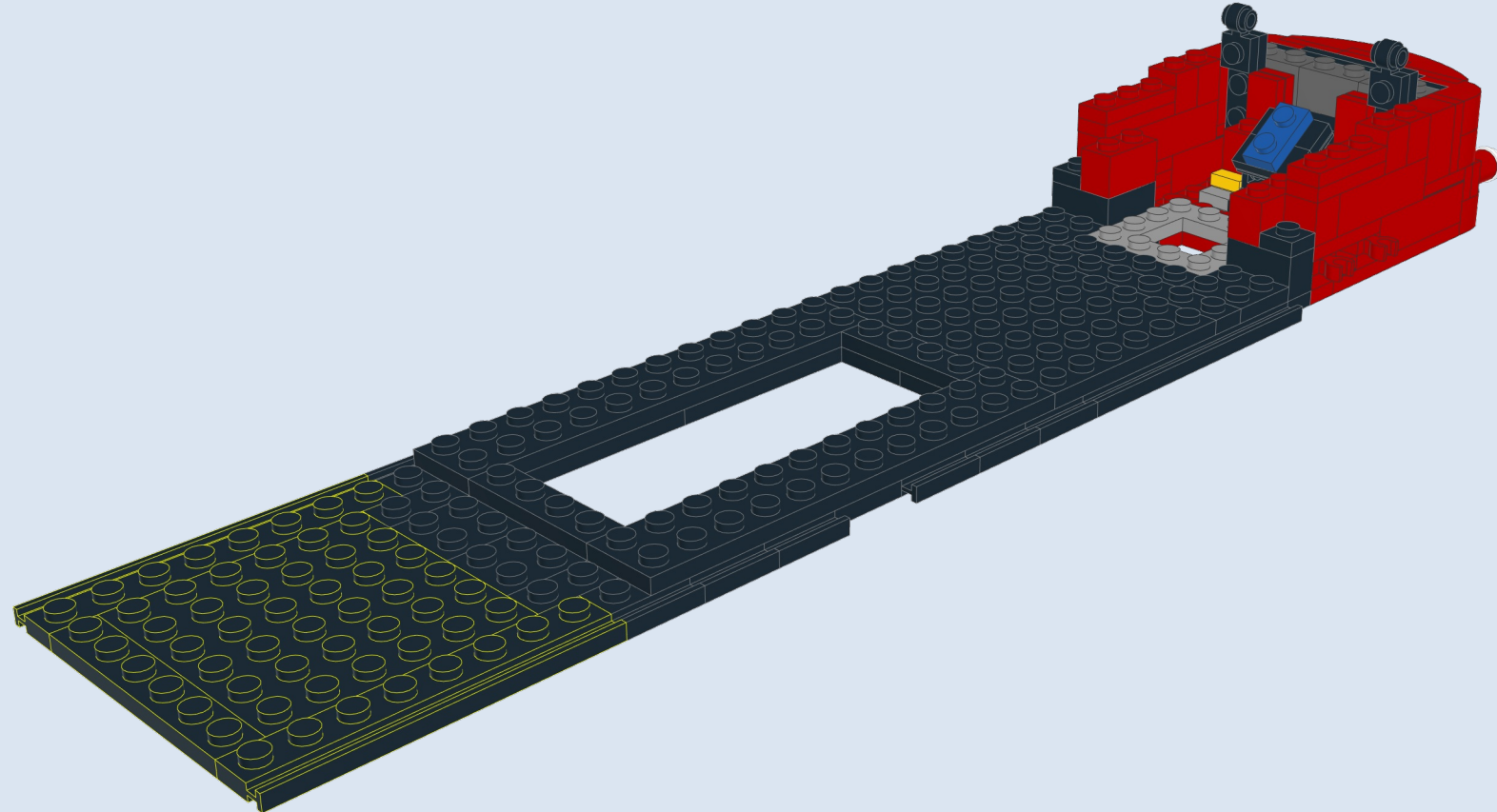
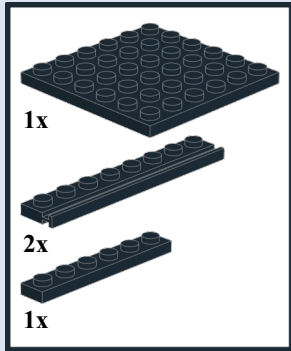
14

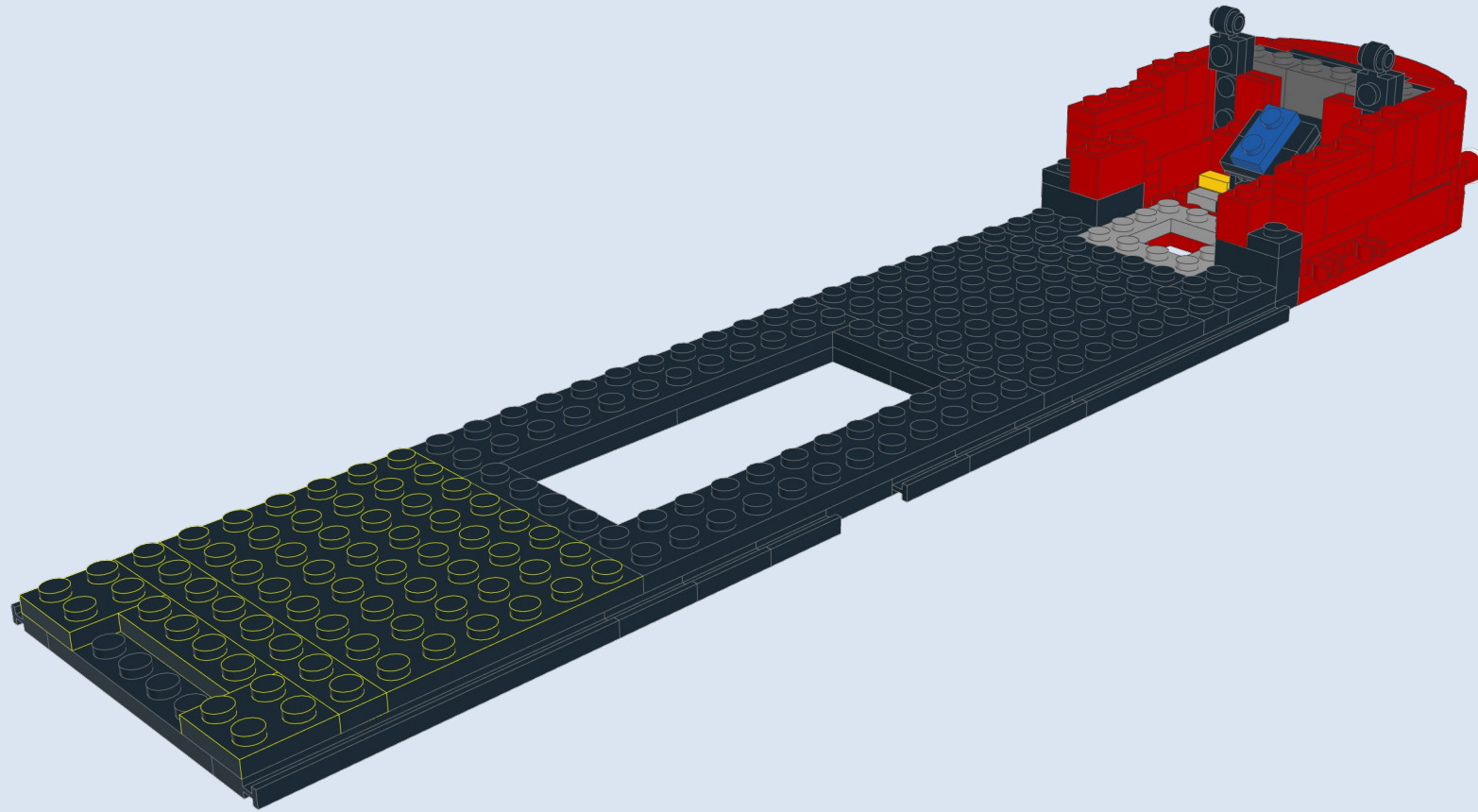
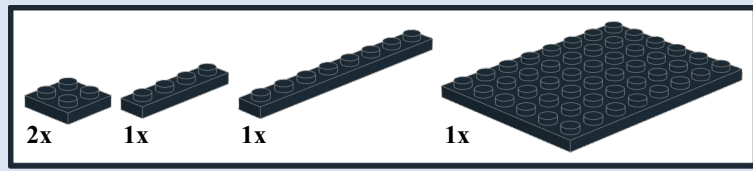


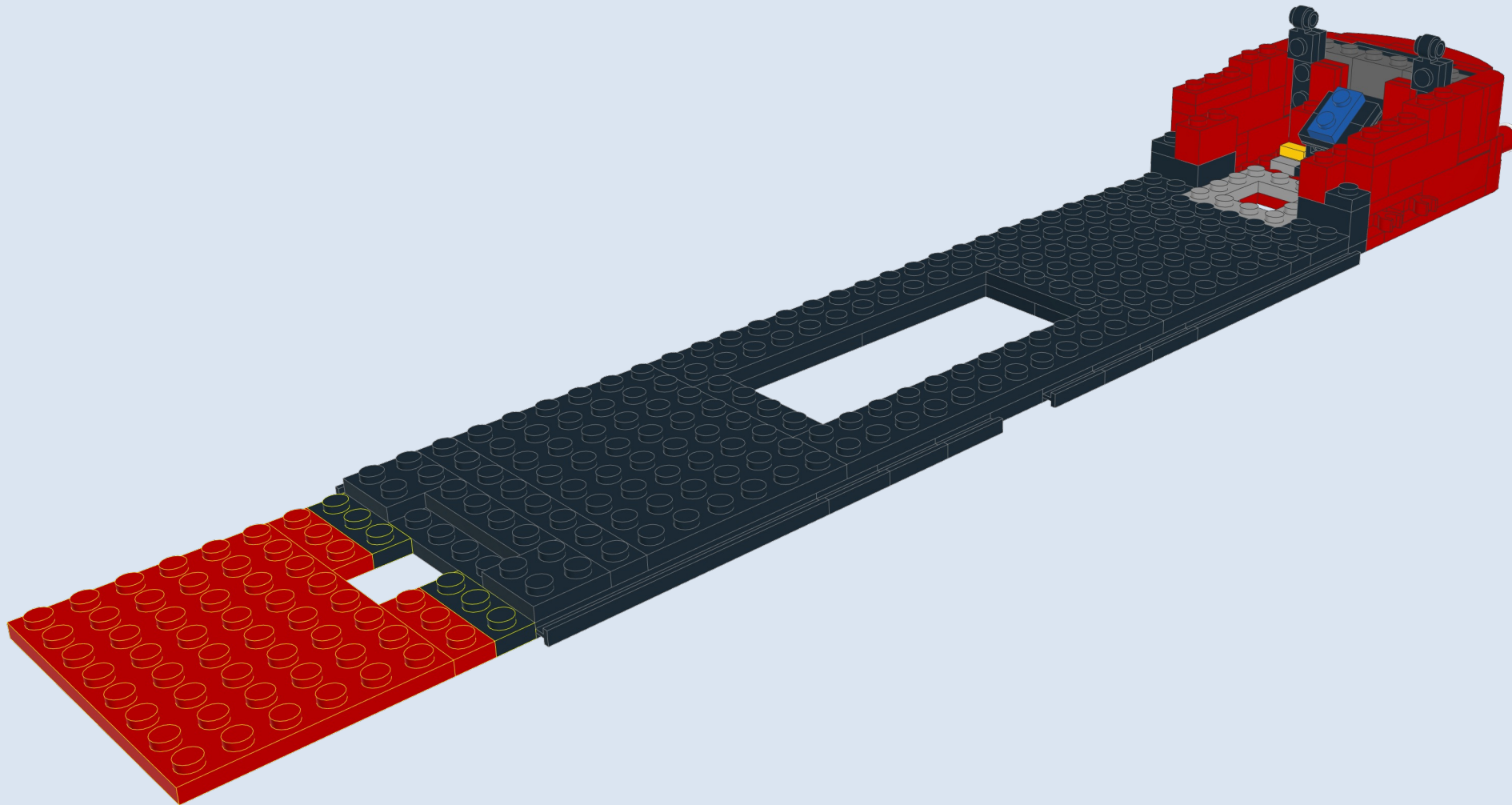
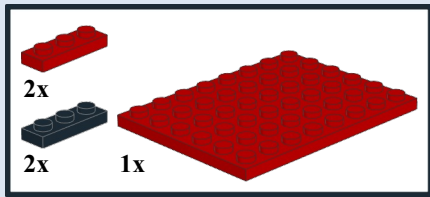
15

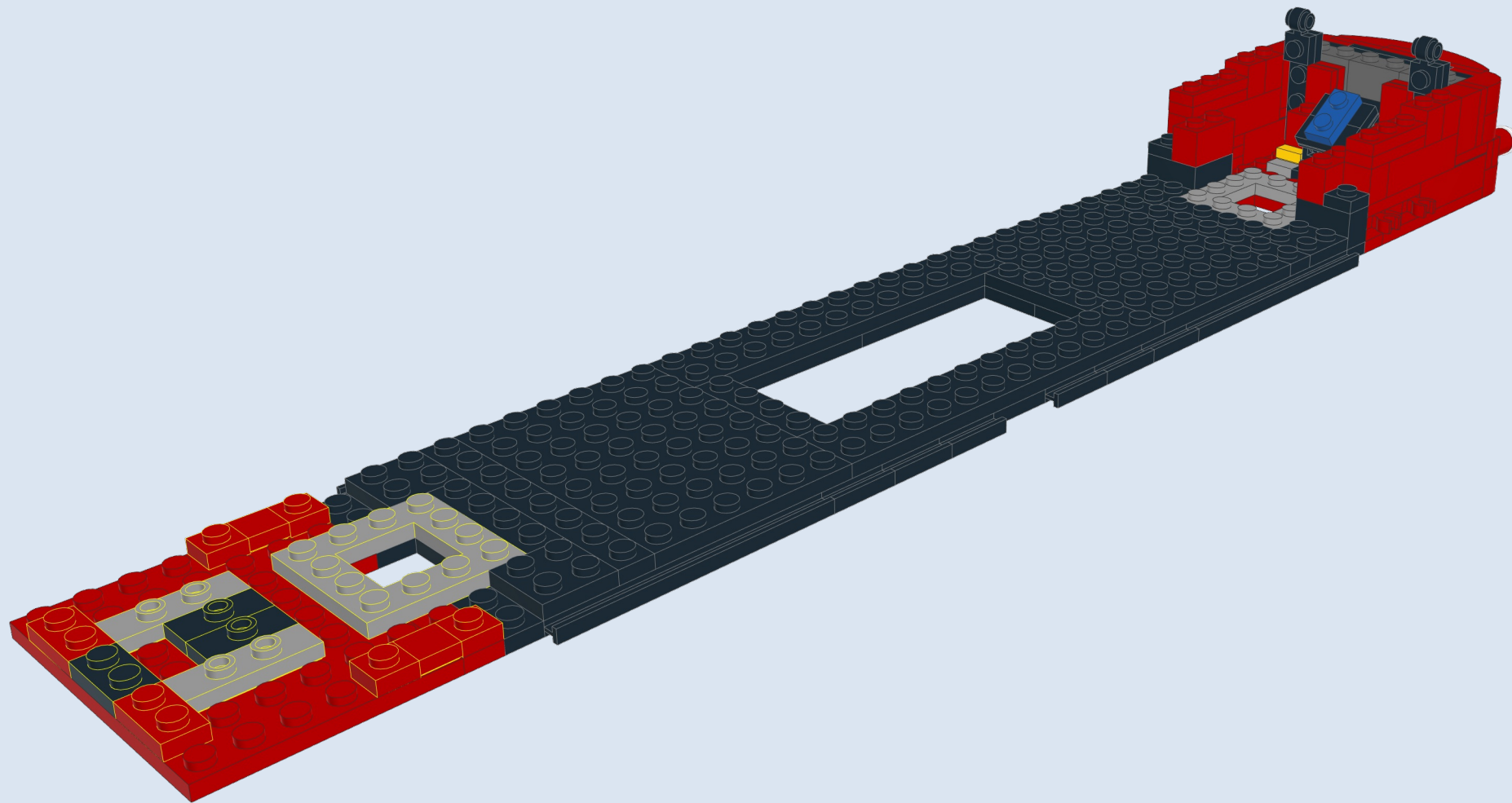
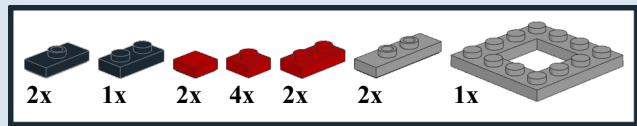


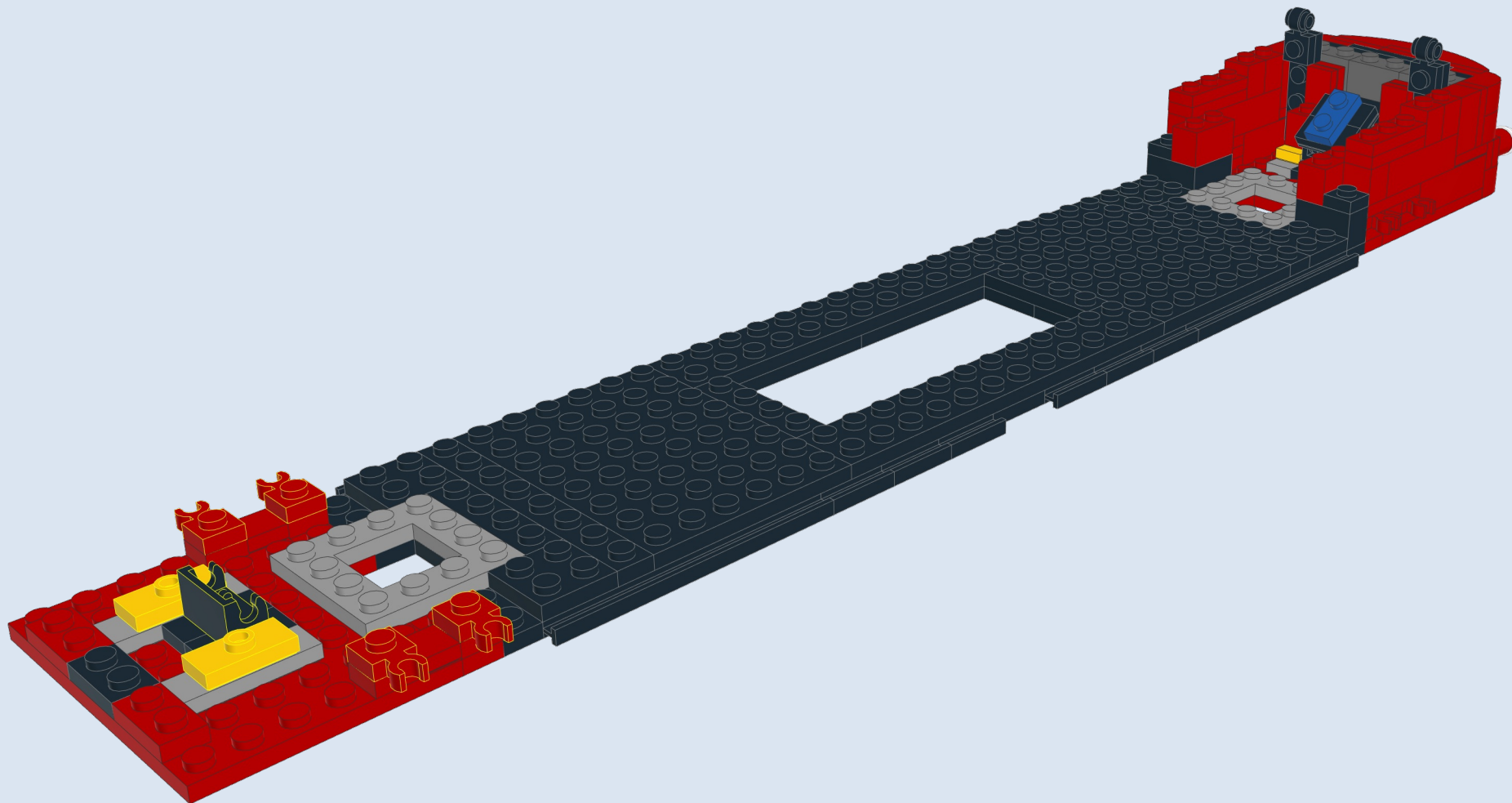
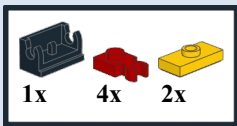
16

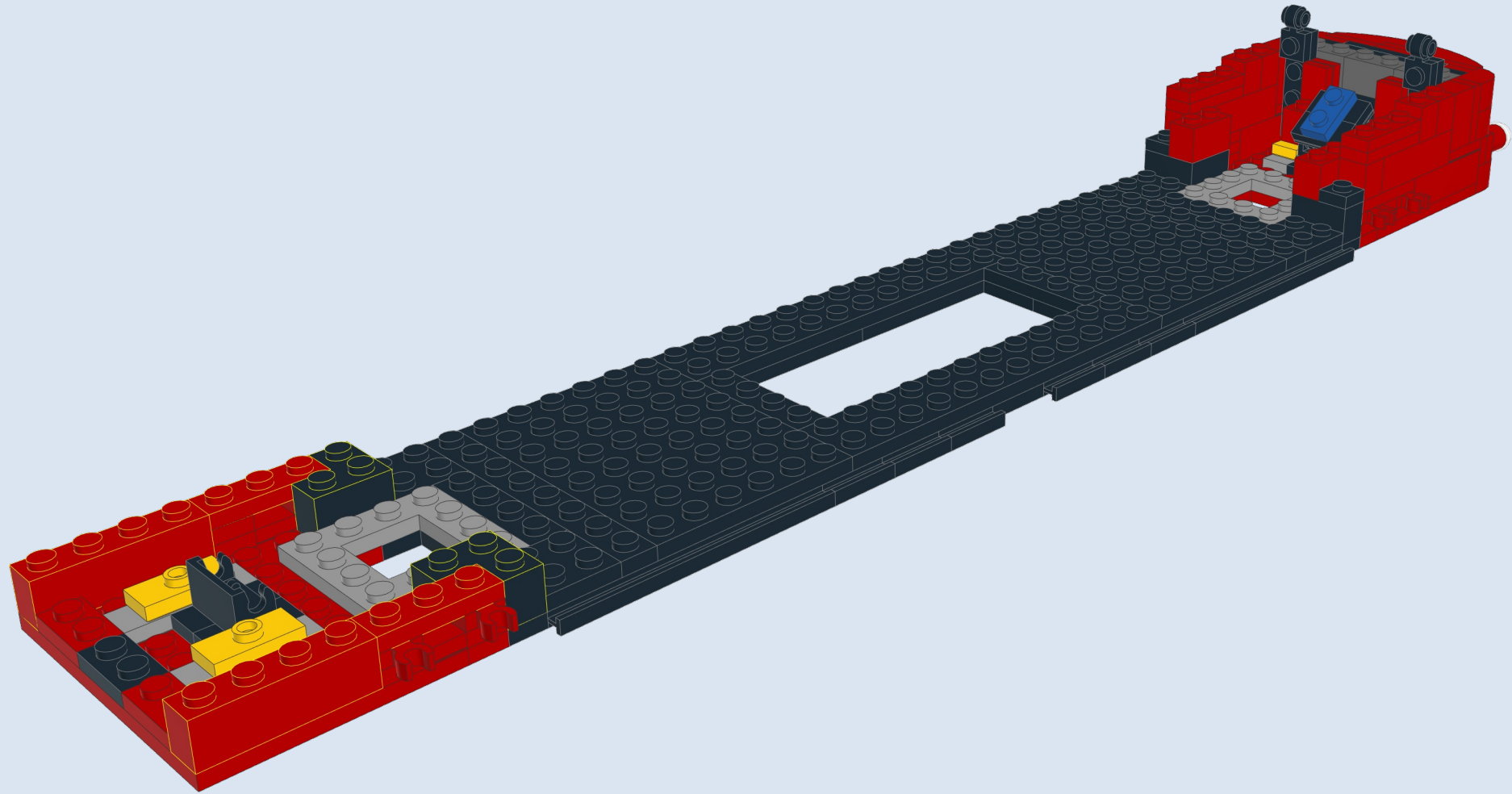
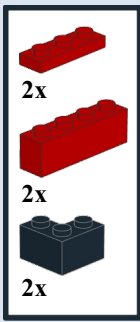


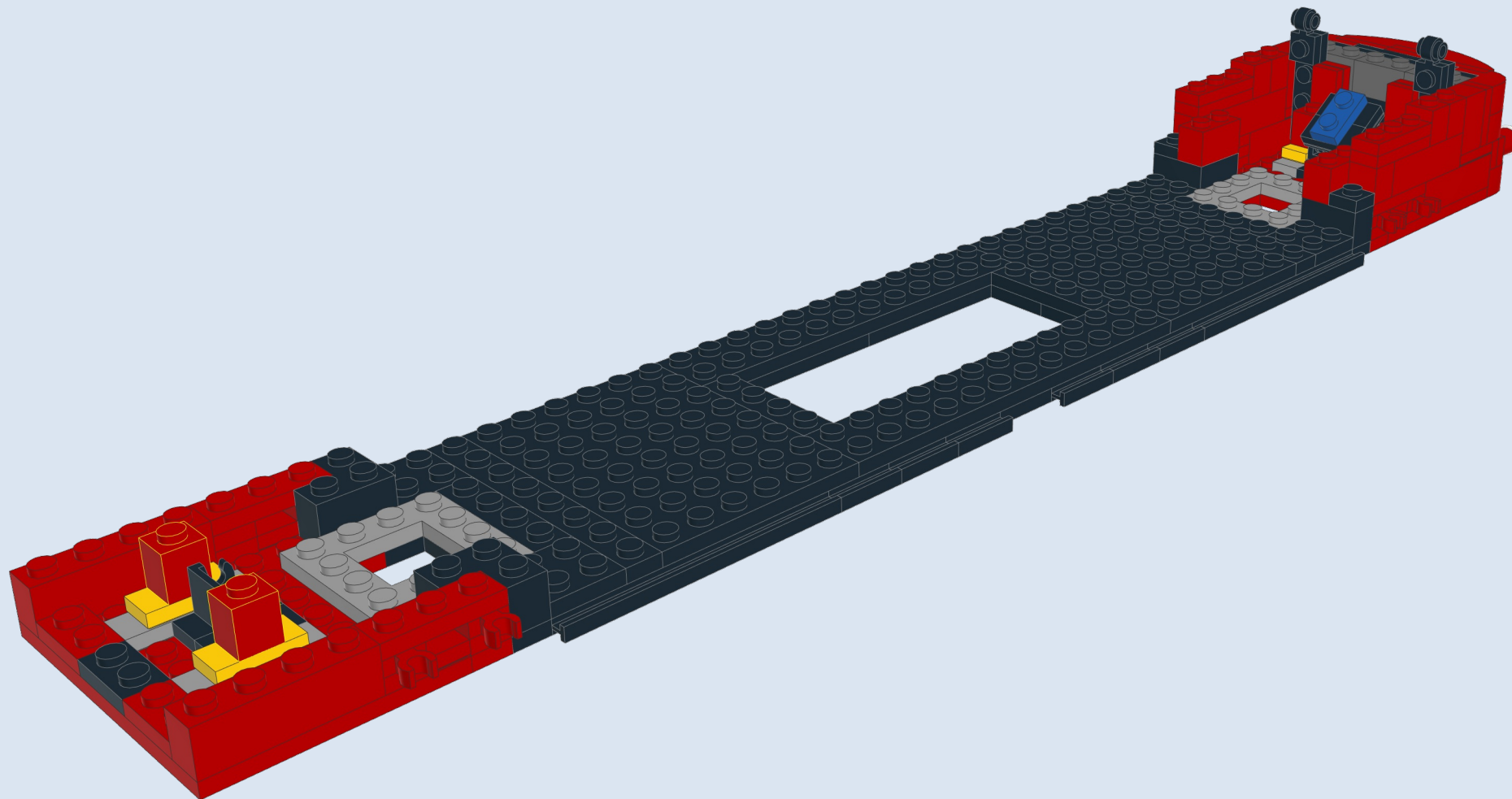


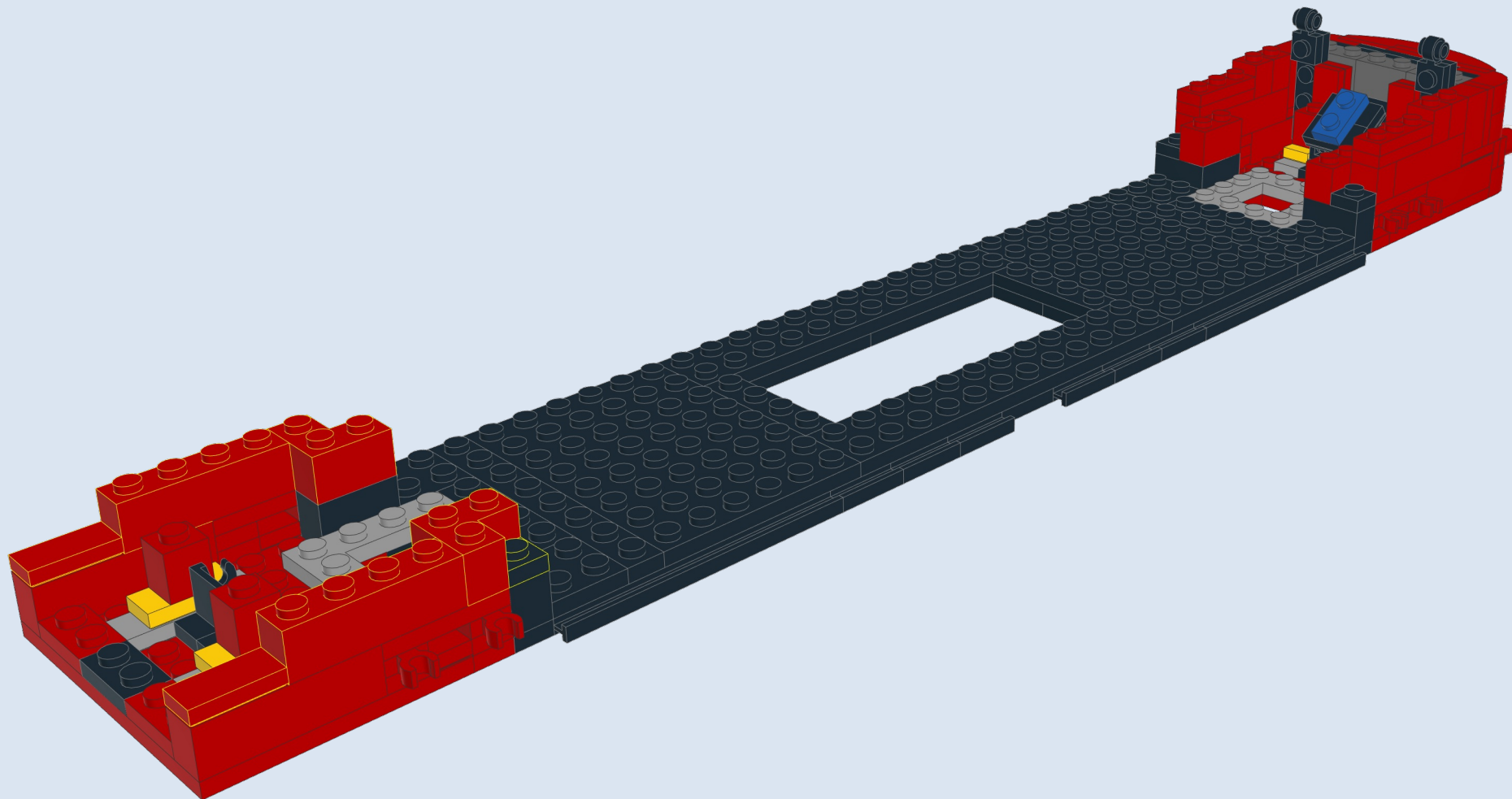
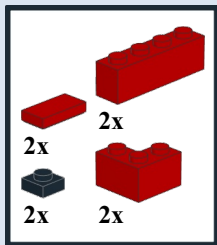


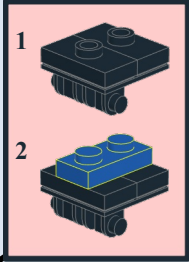
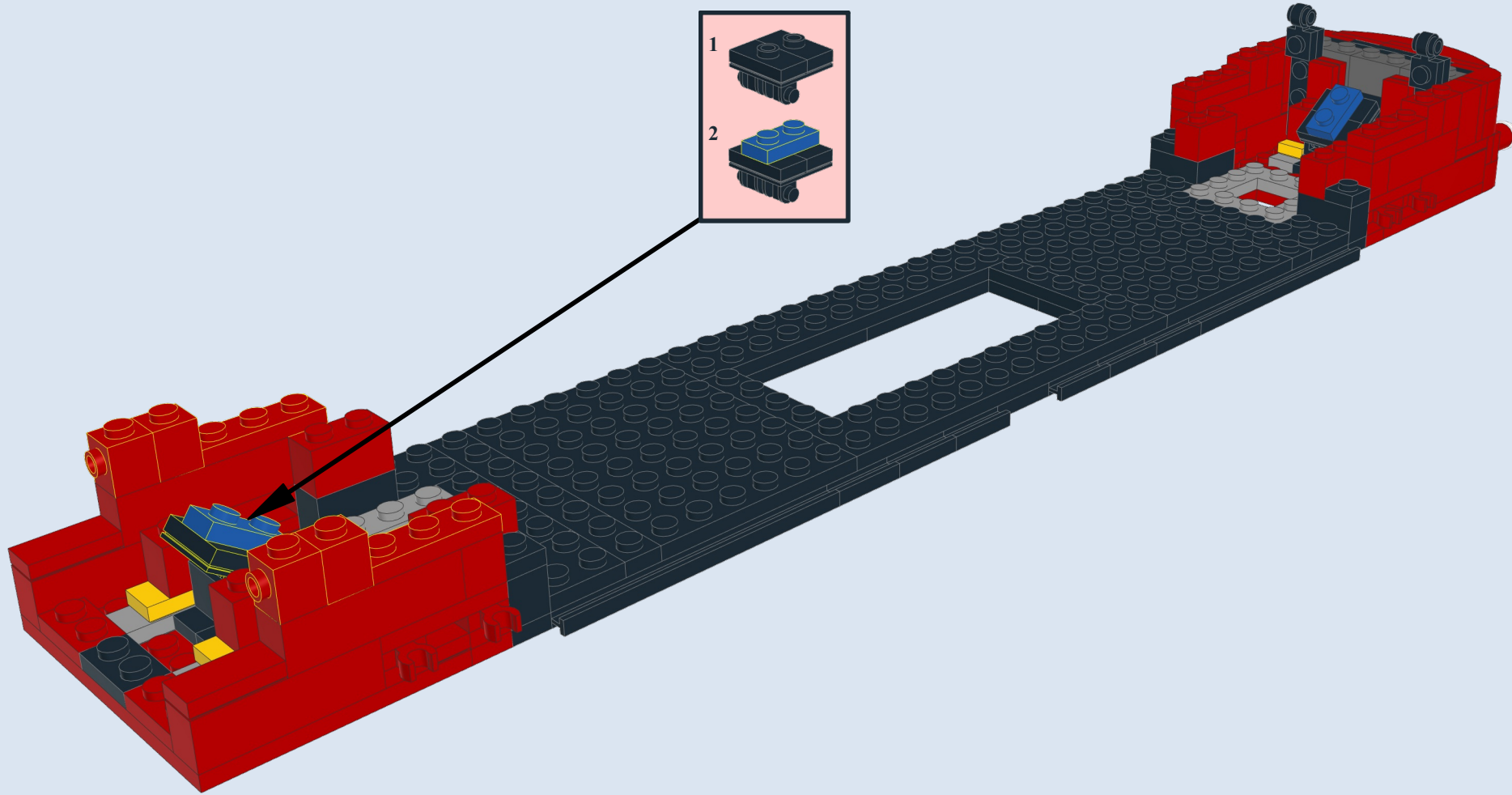
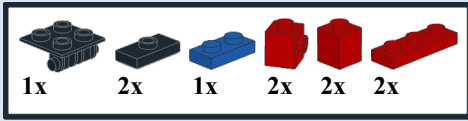


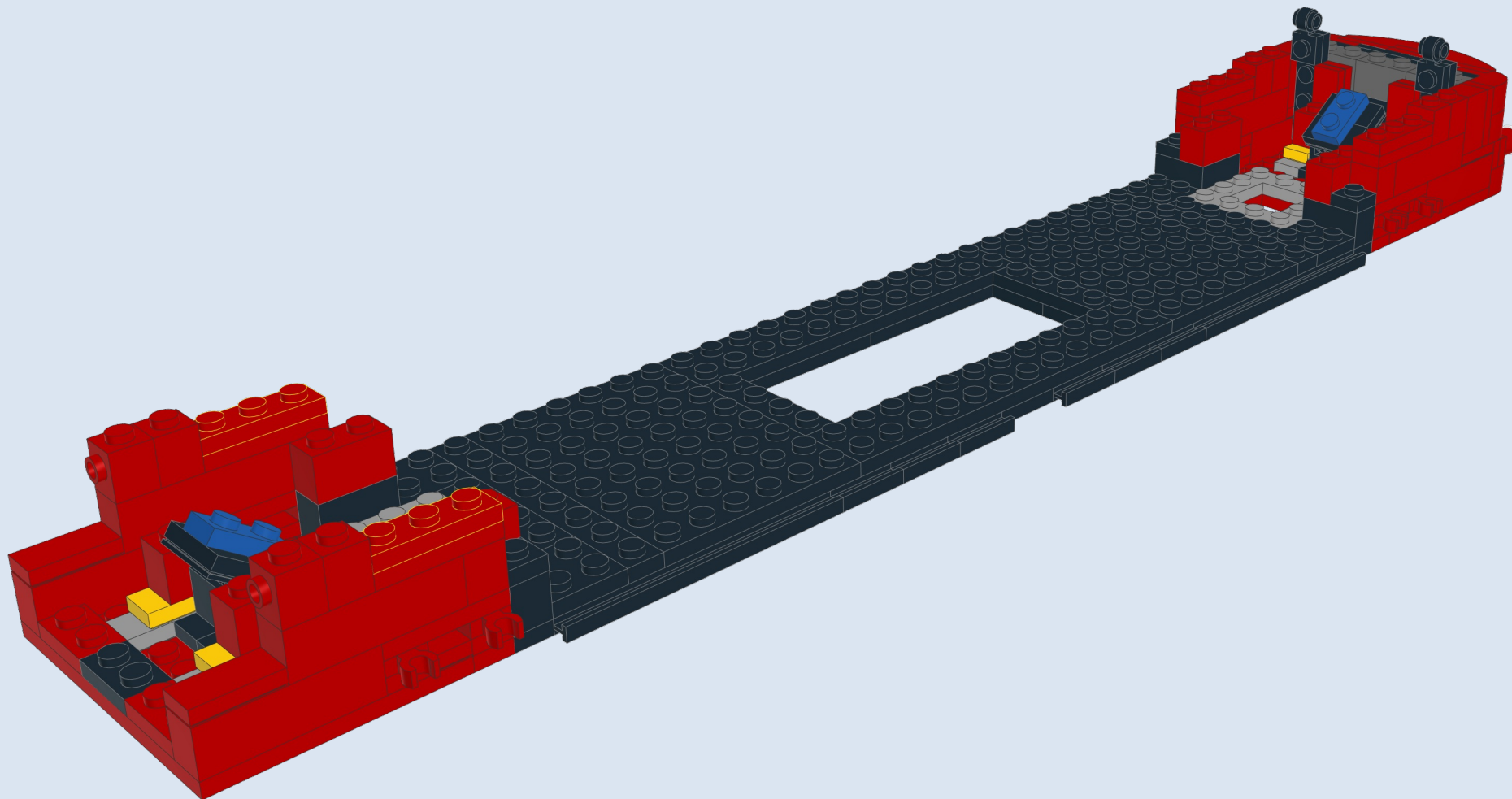
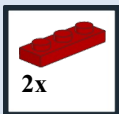


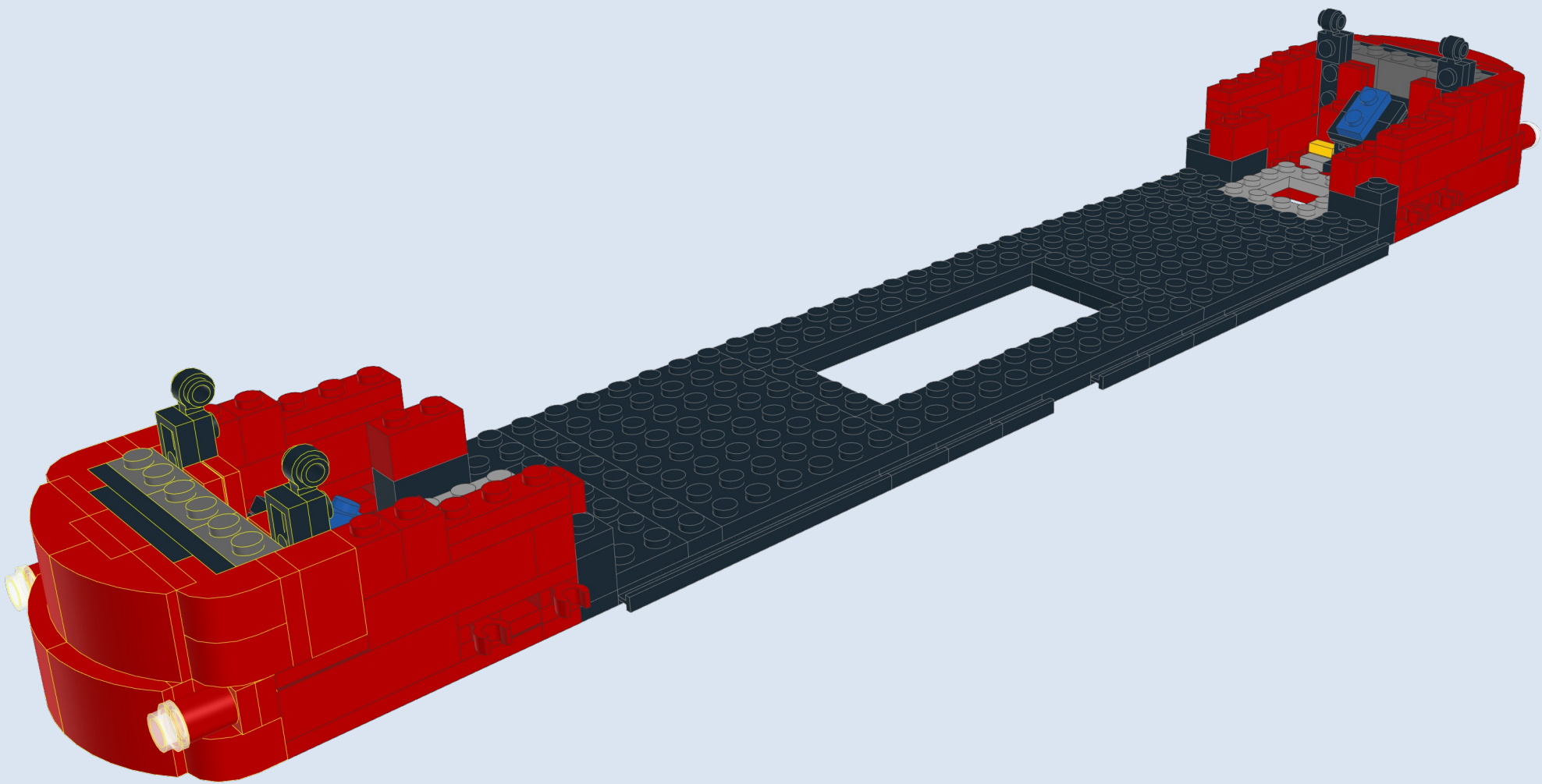




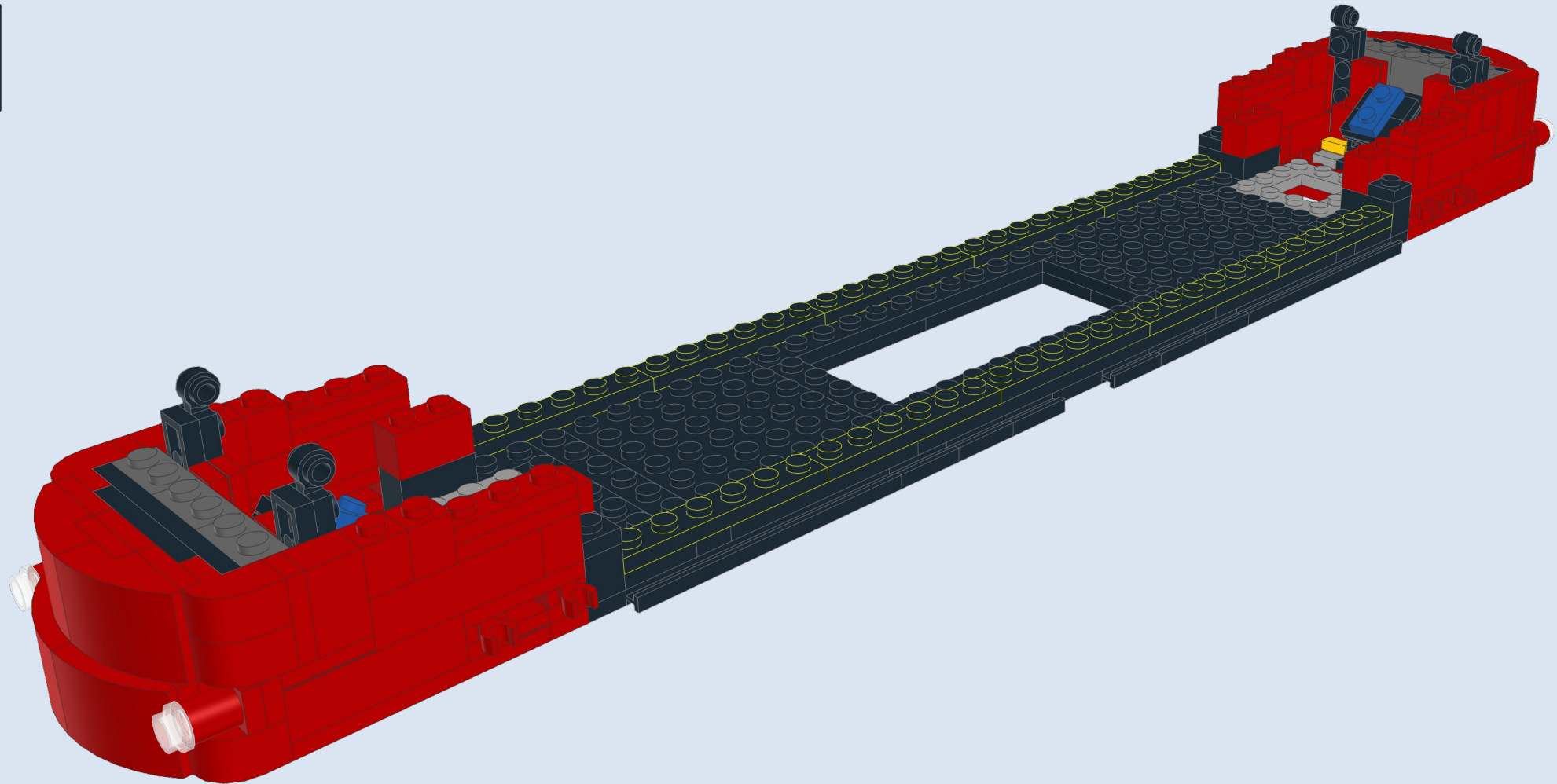
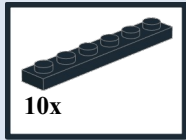


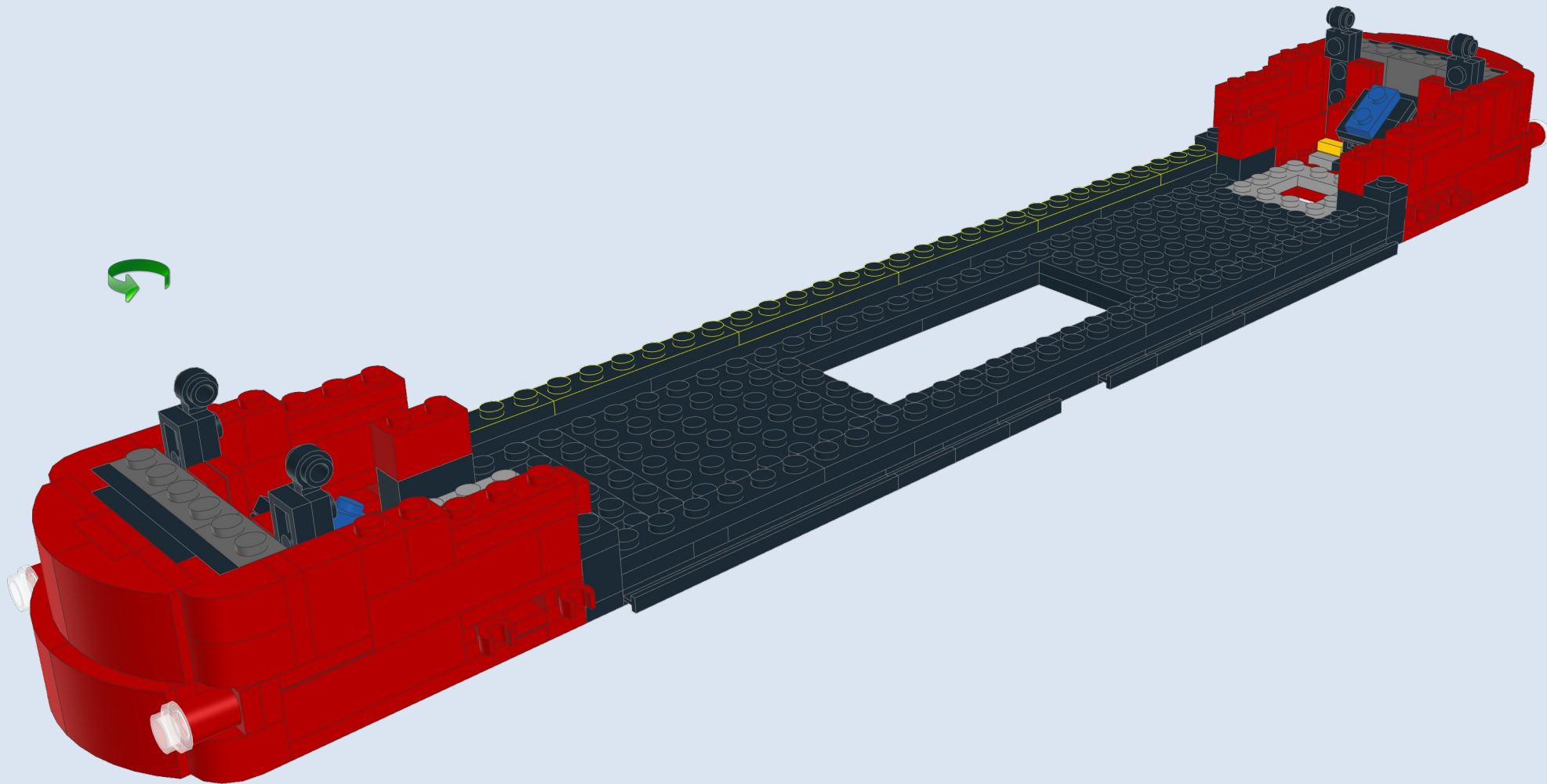
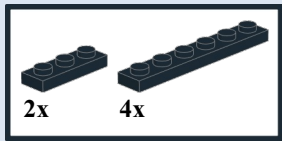


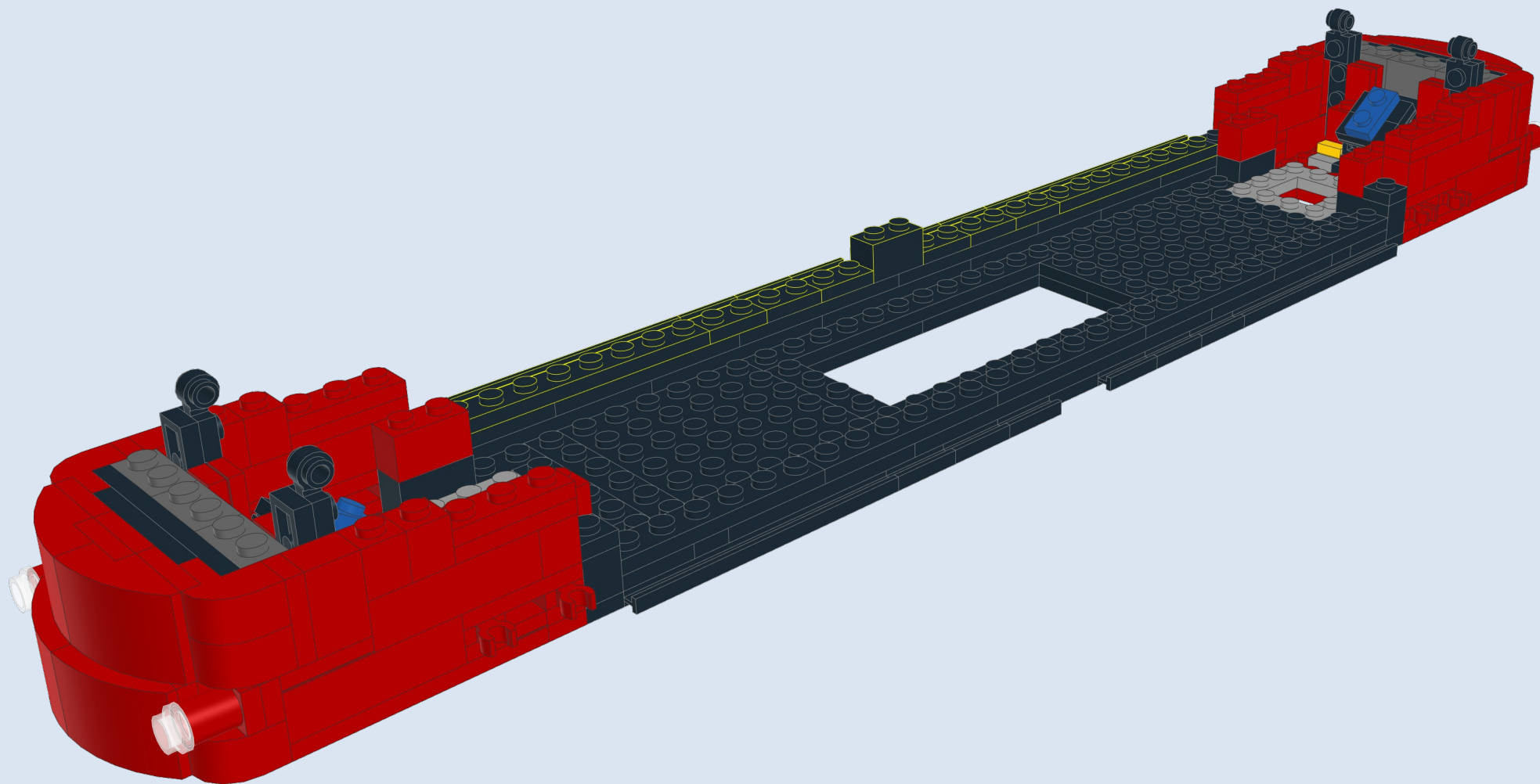
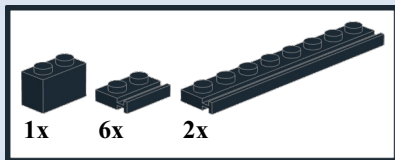


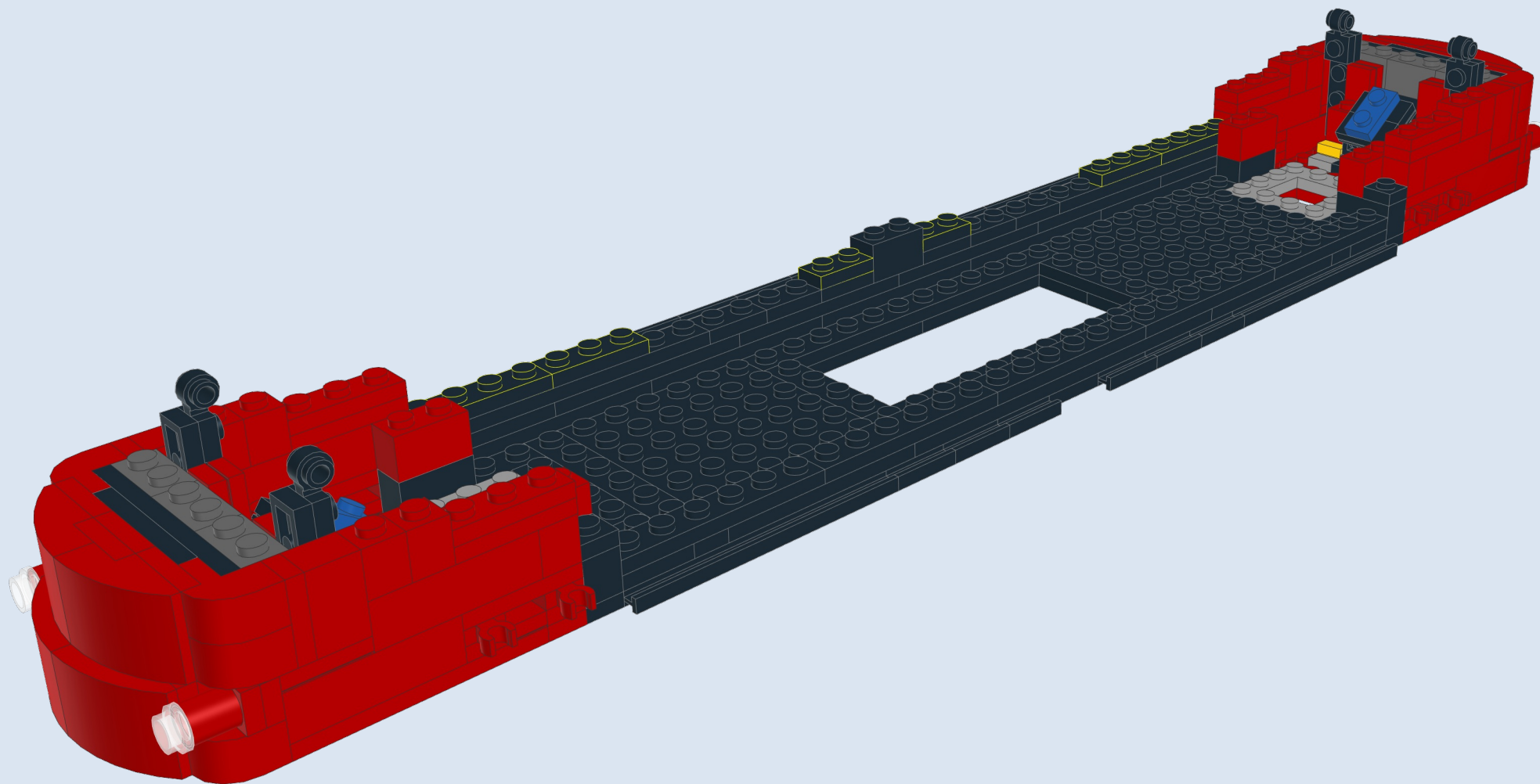
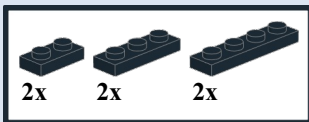


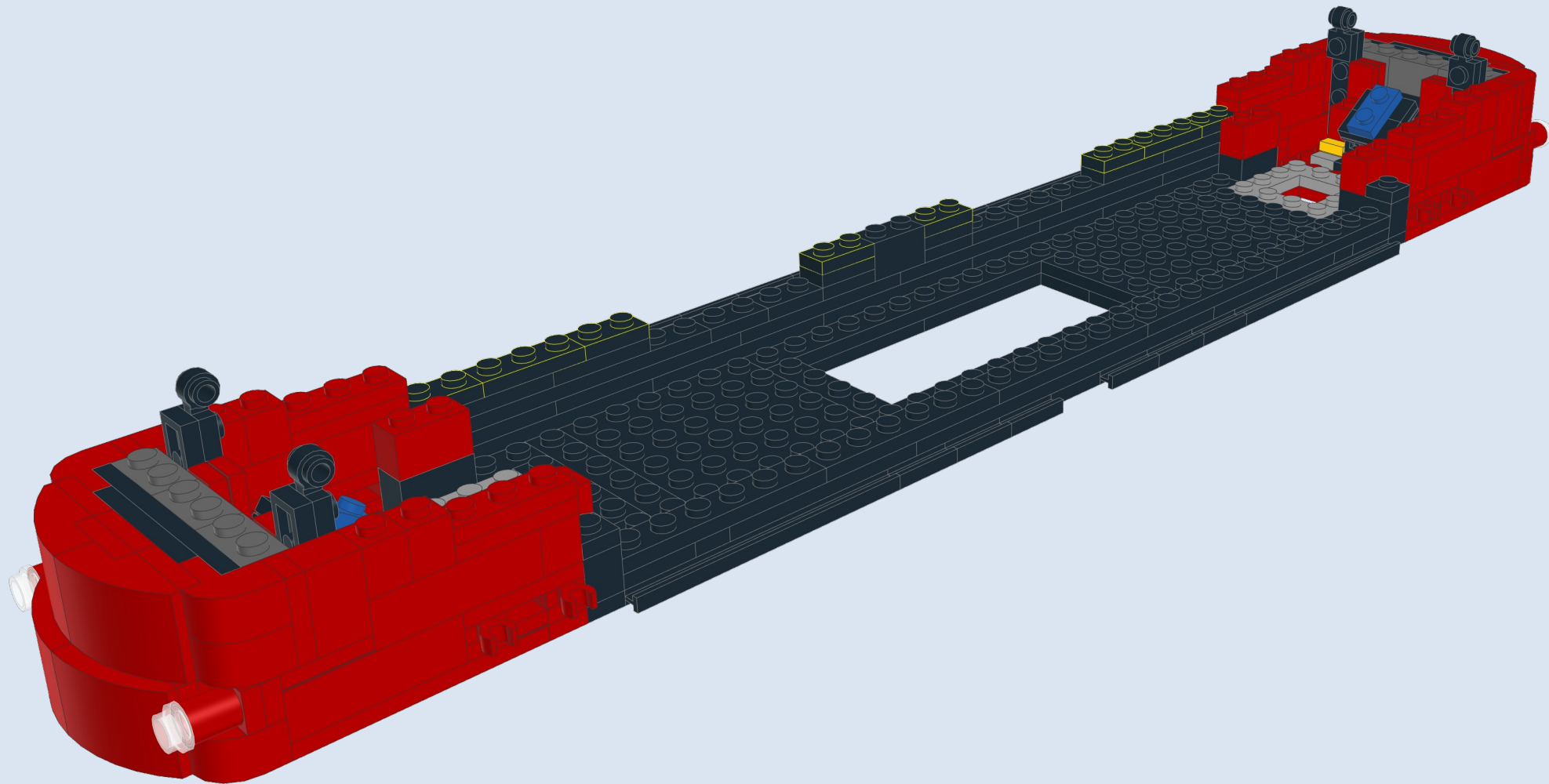
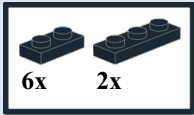
27

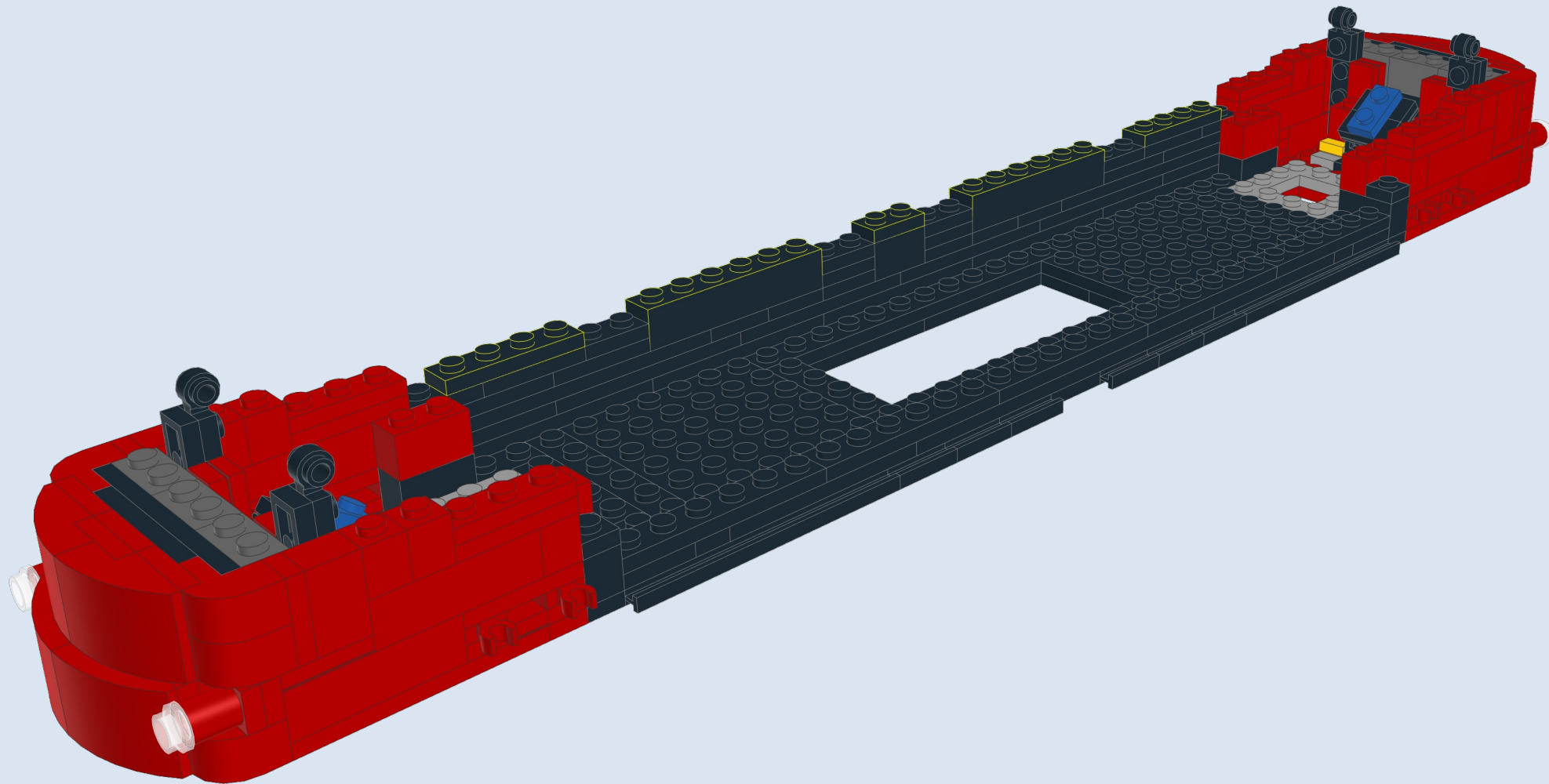
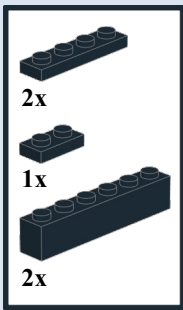


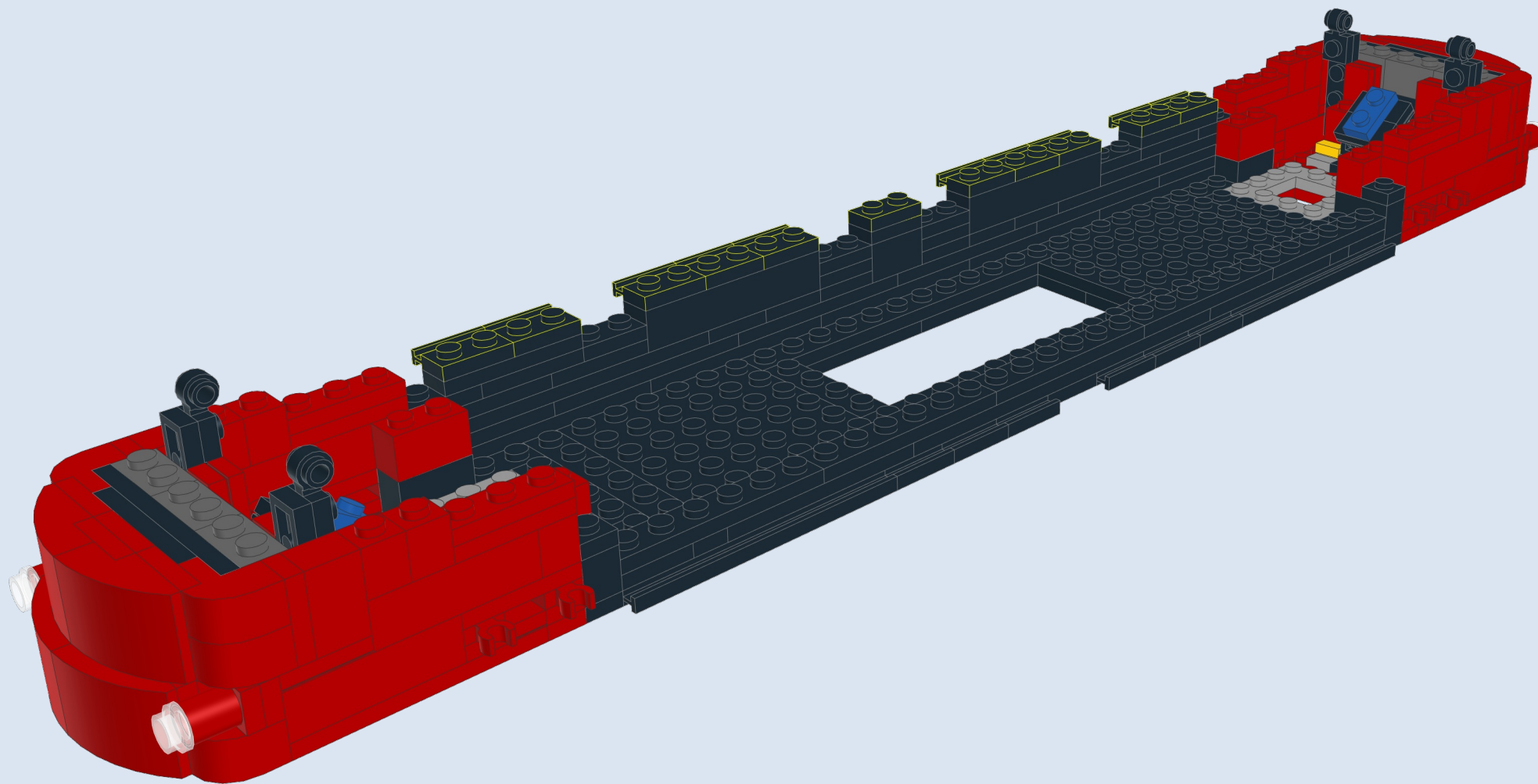
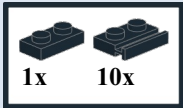


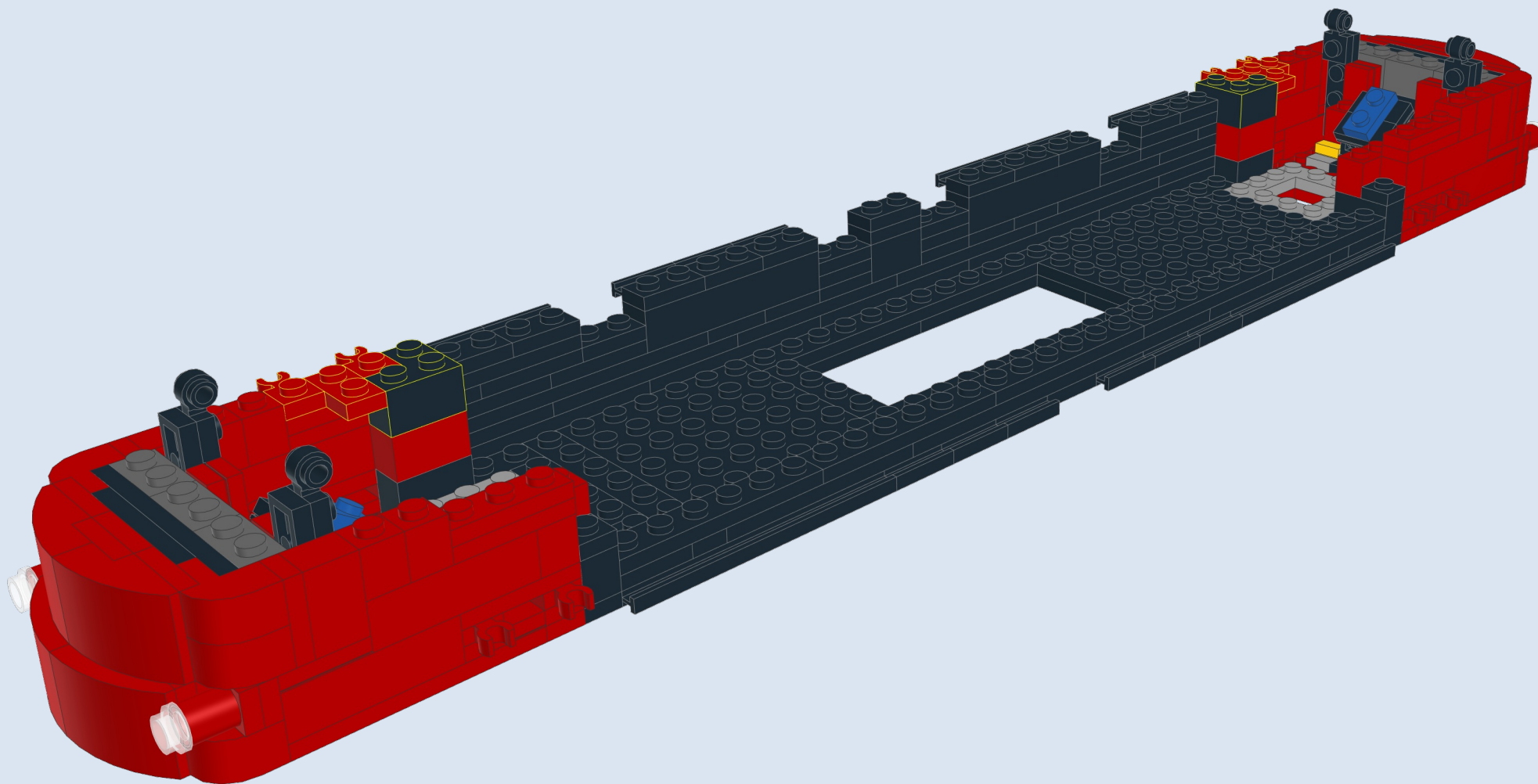
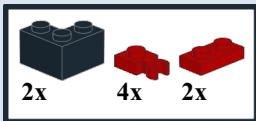


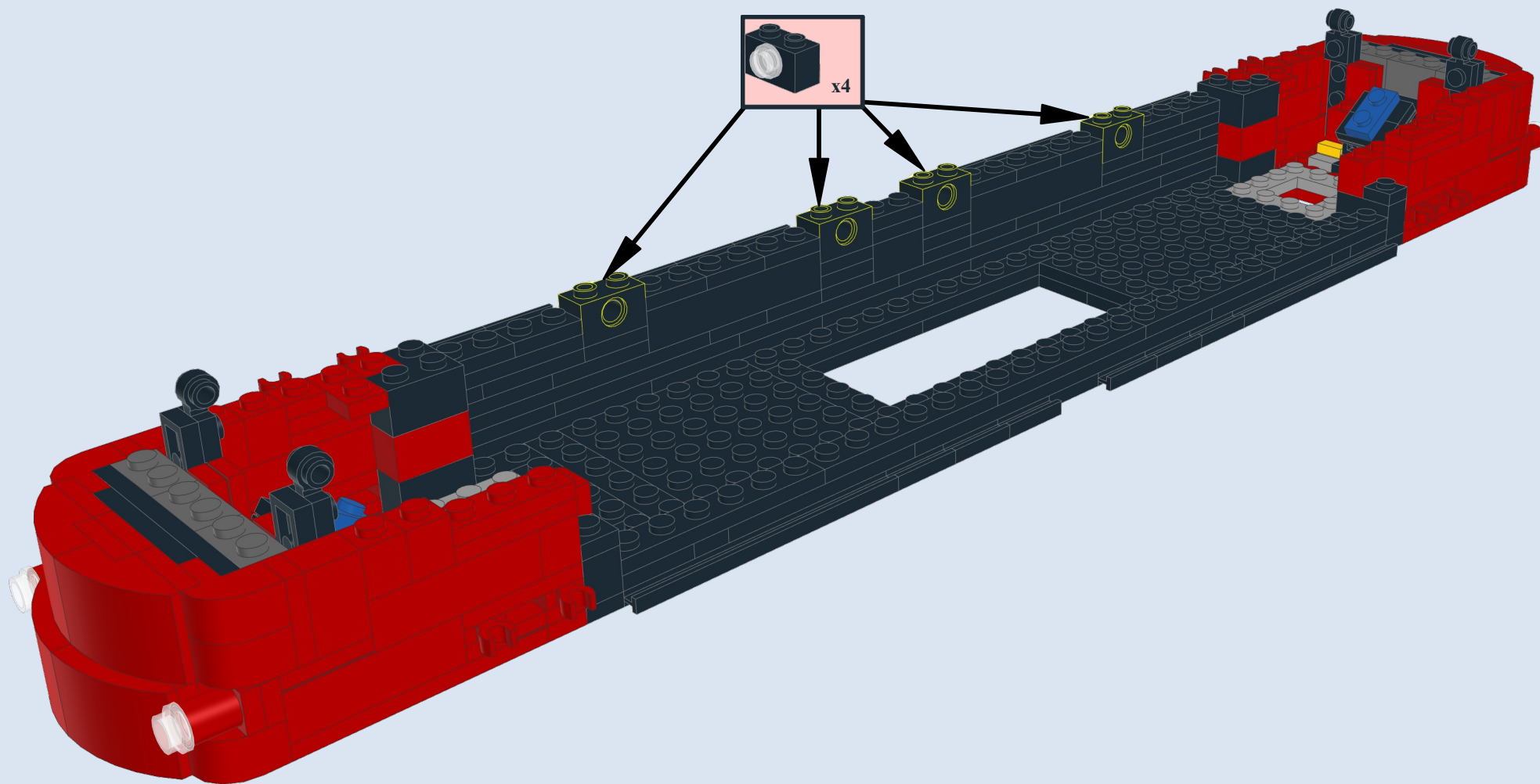


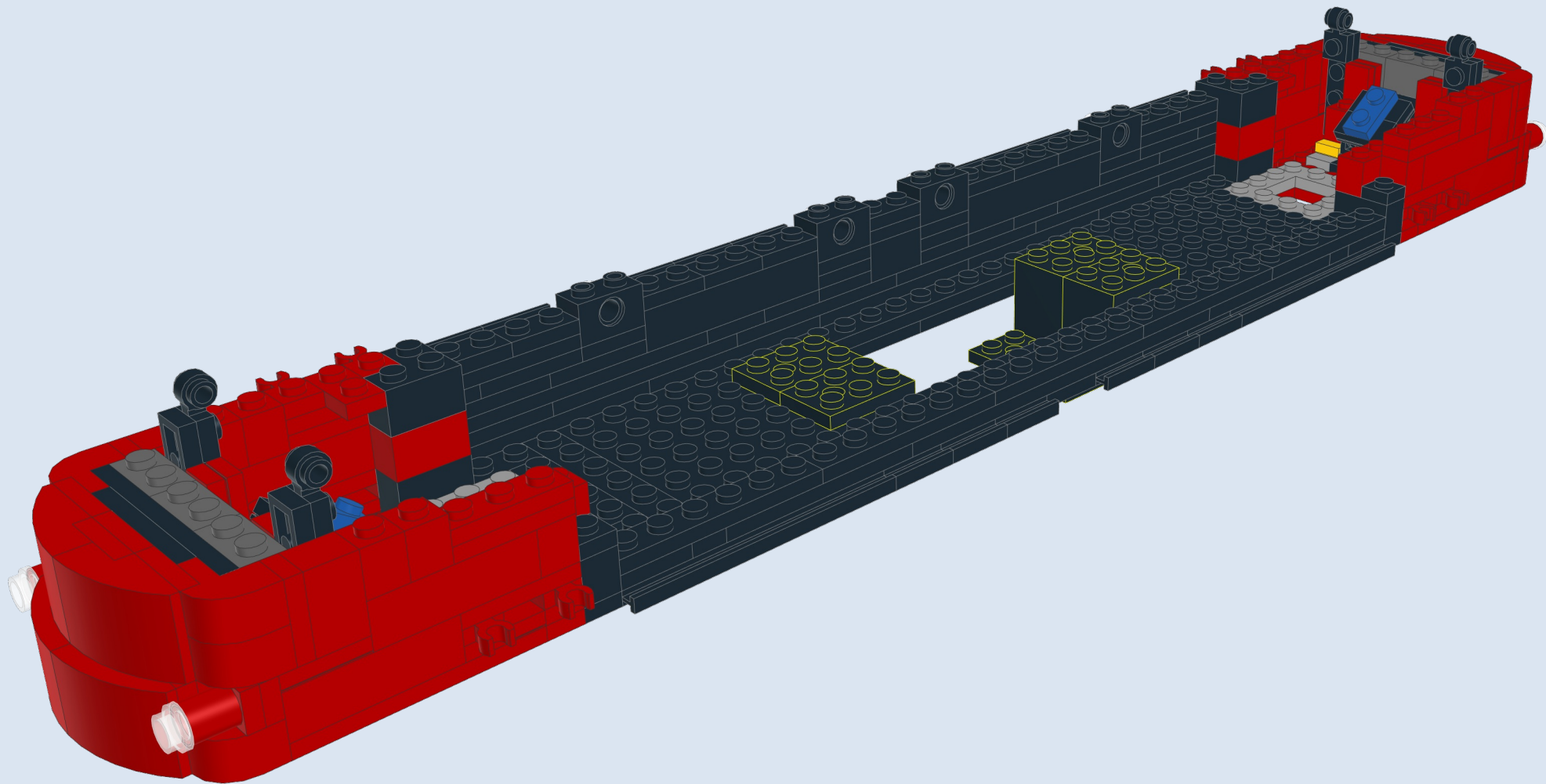
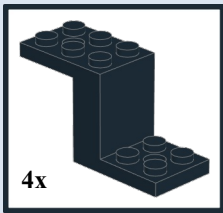


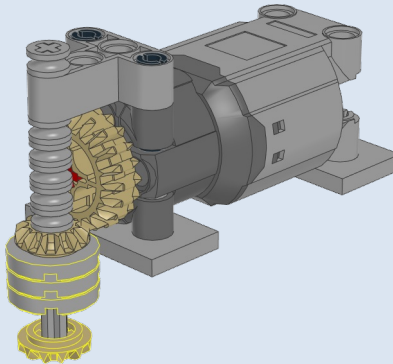
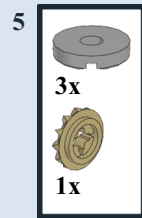
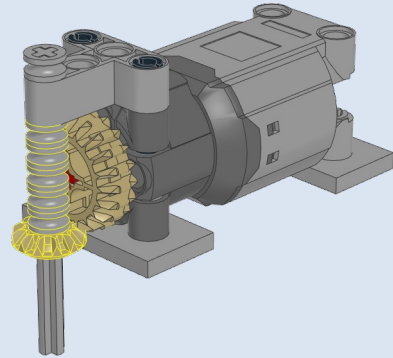
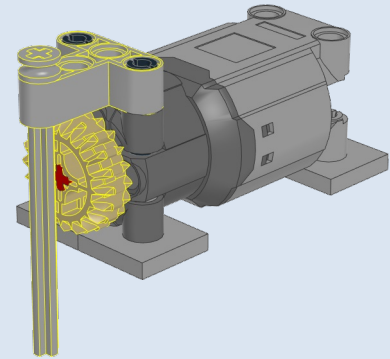
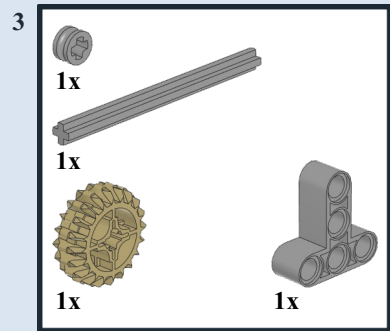
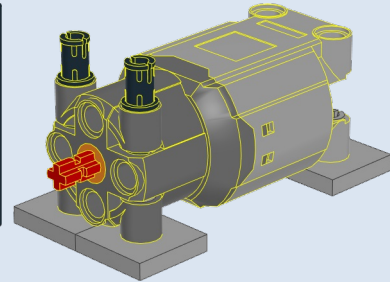
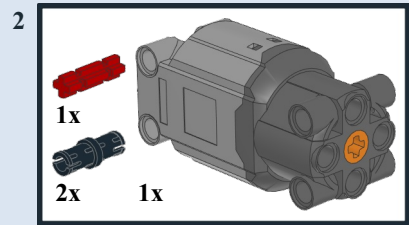
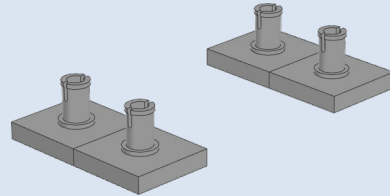
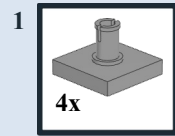


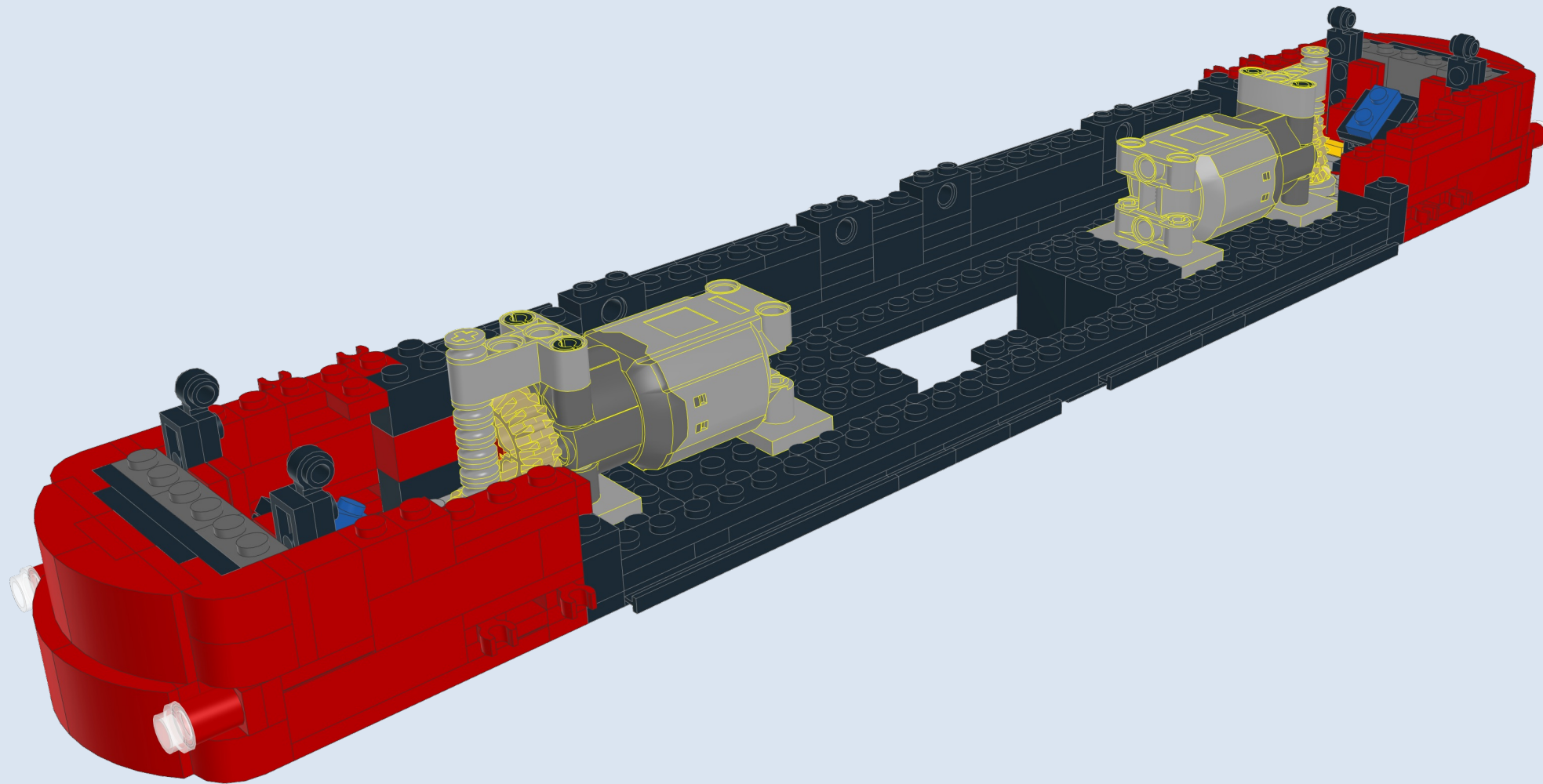


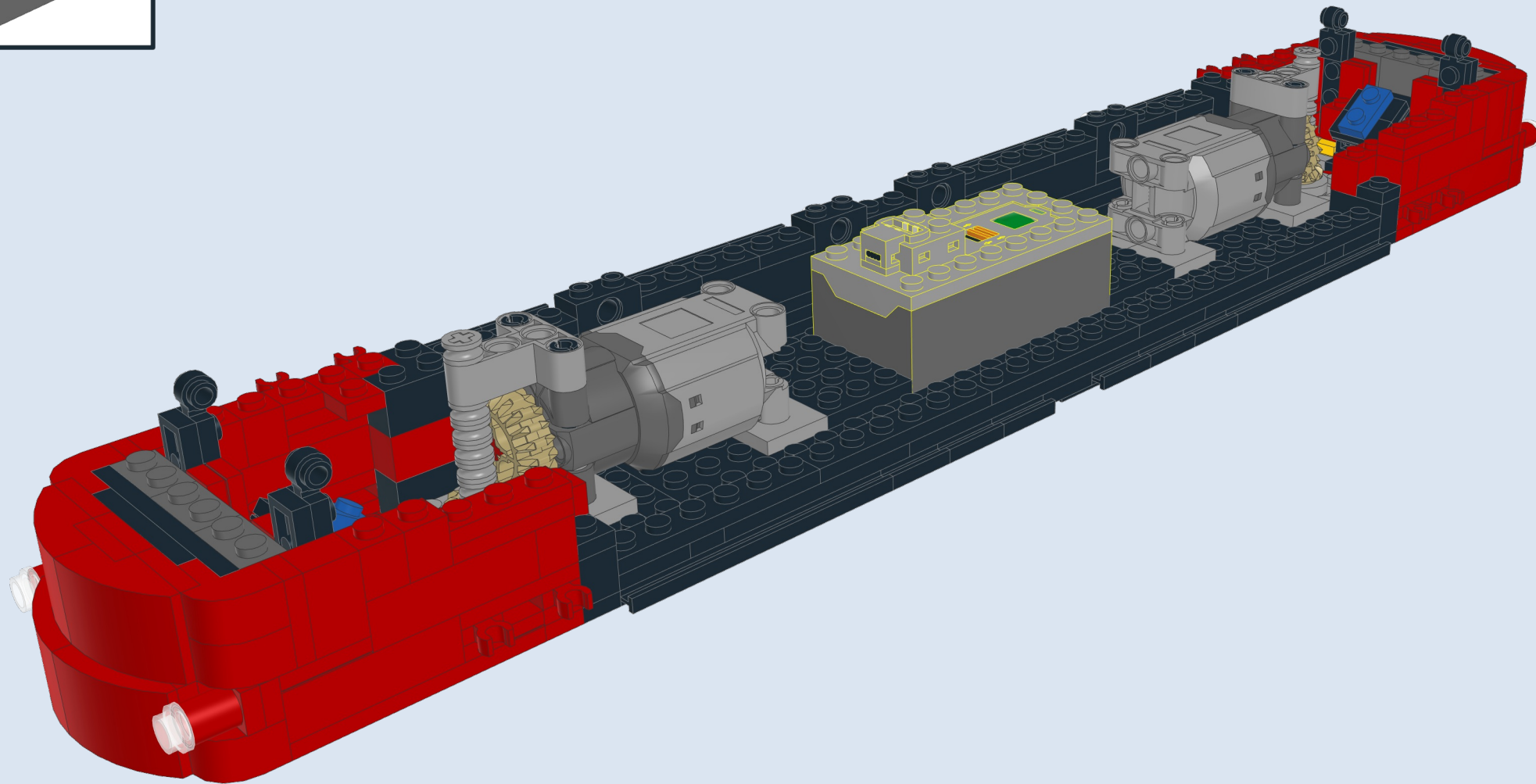
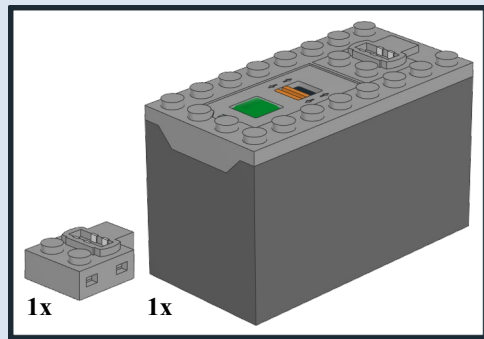


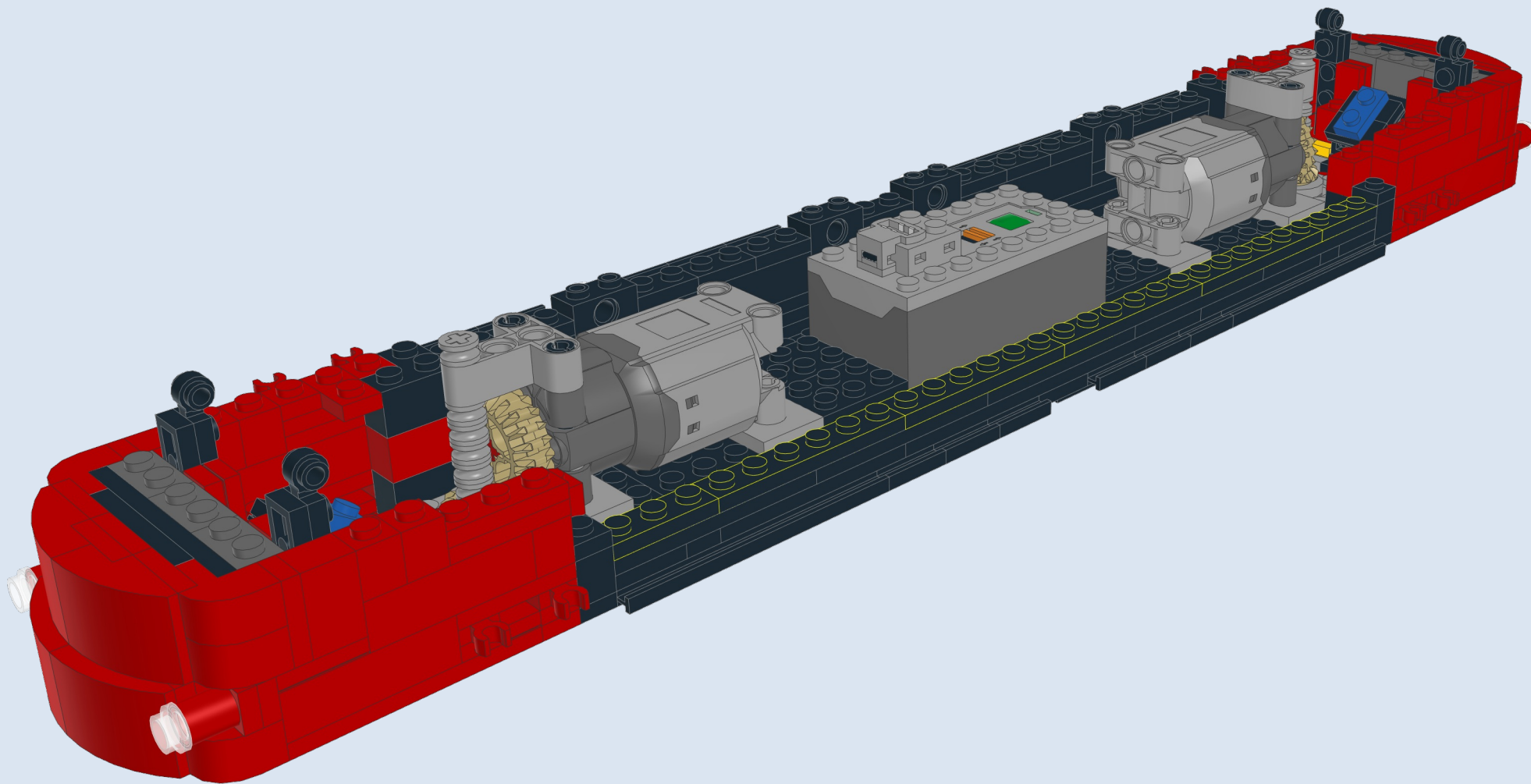
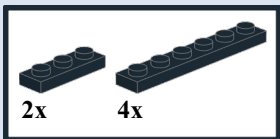


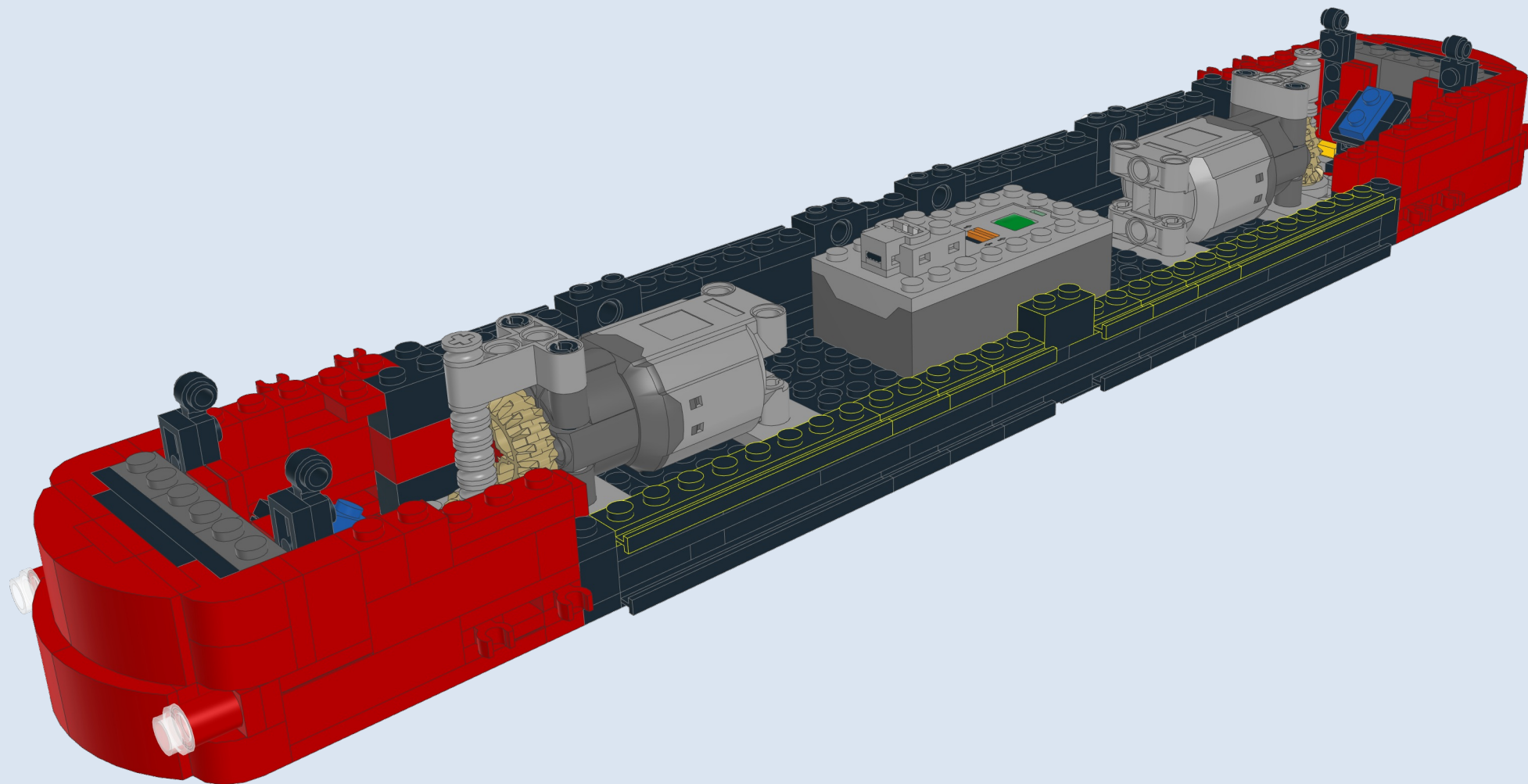
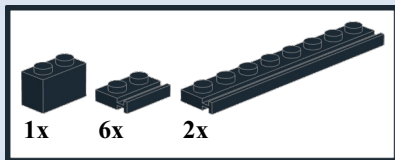


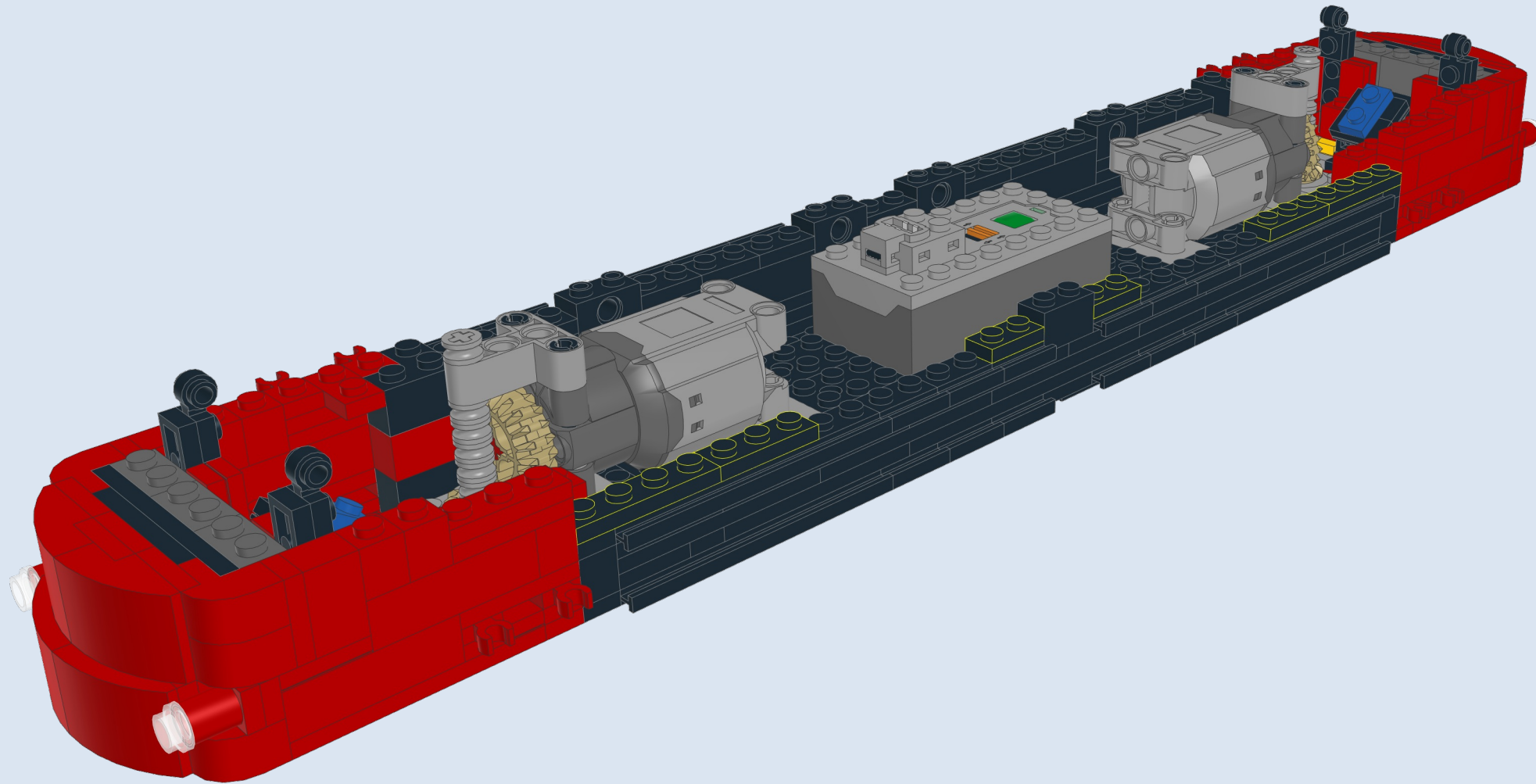
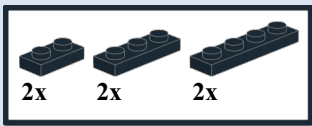


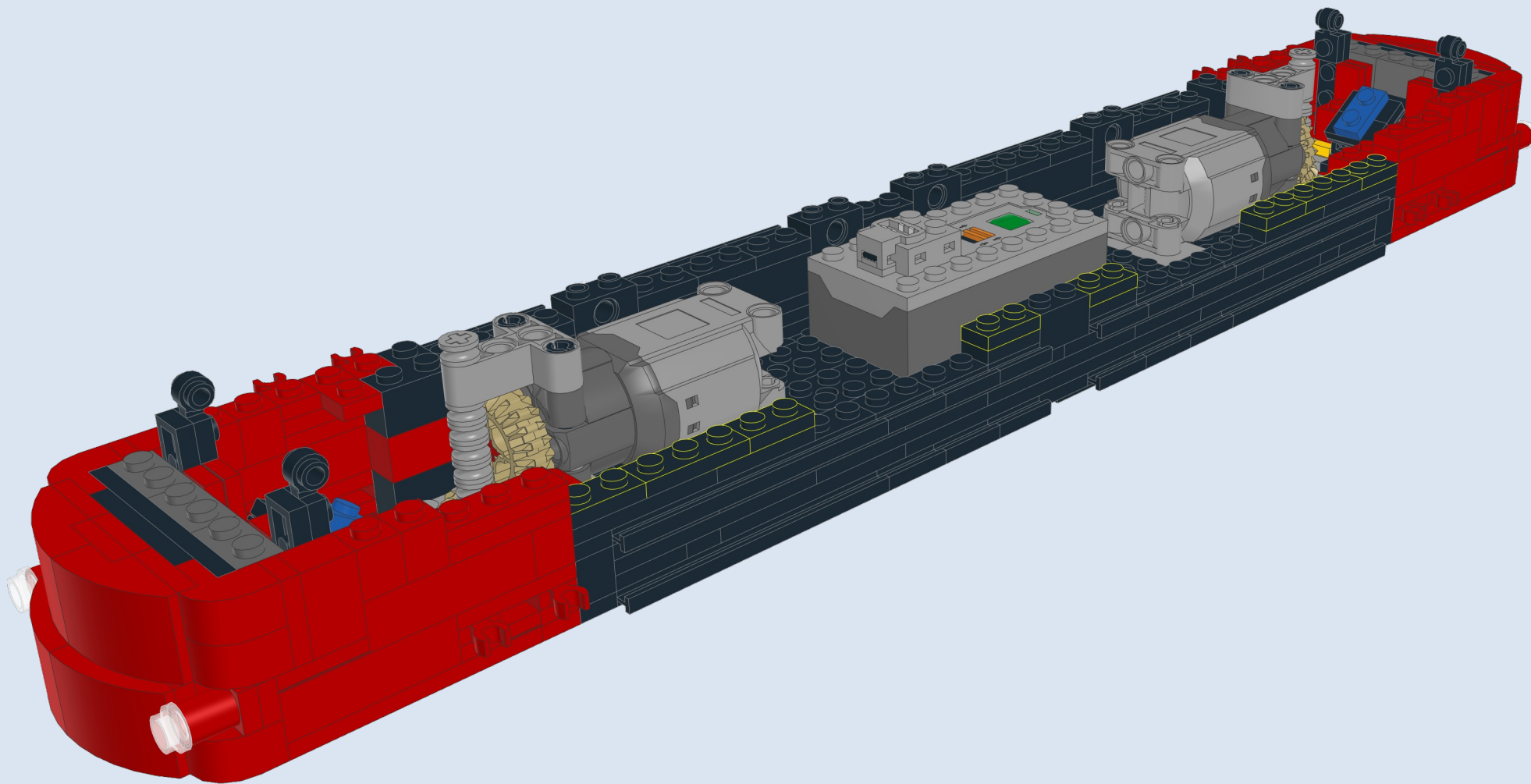
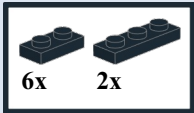


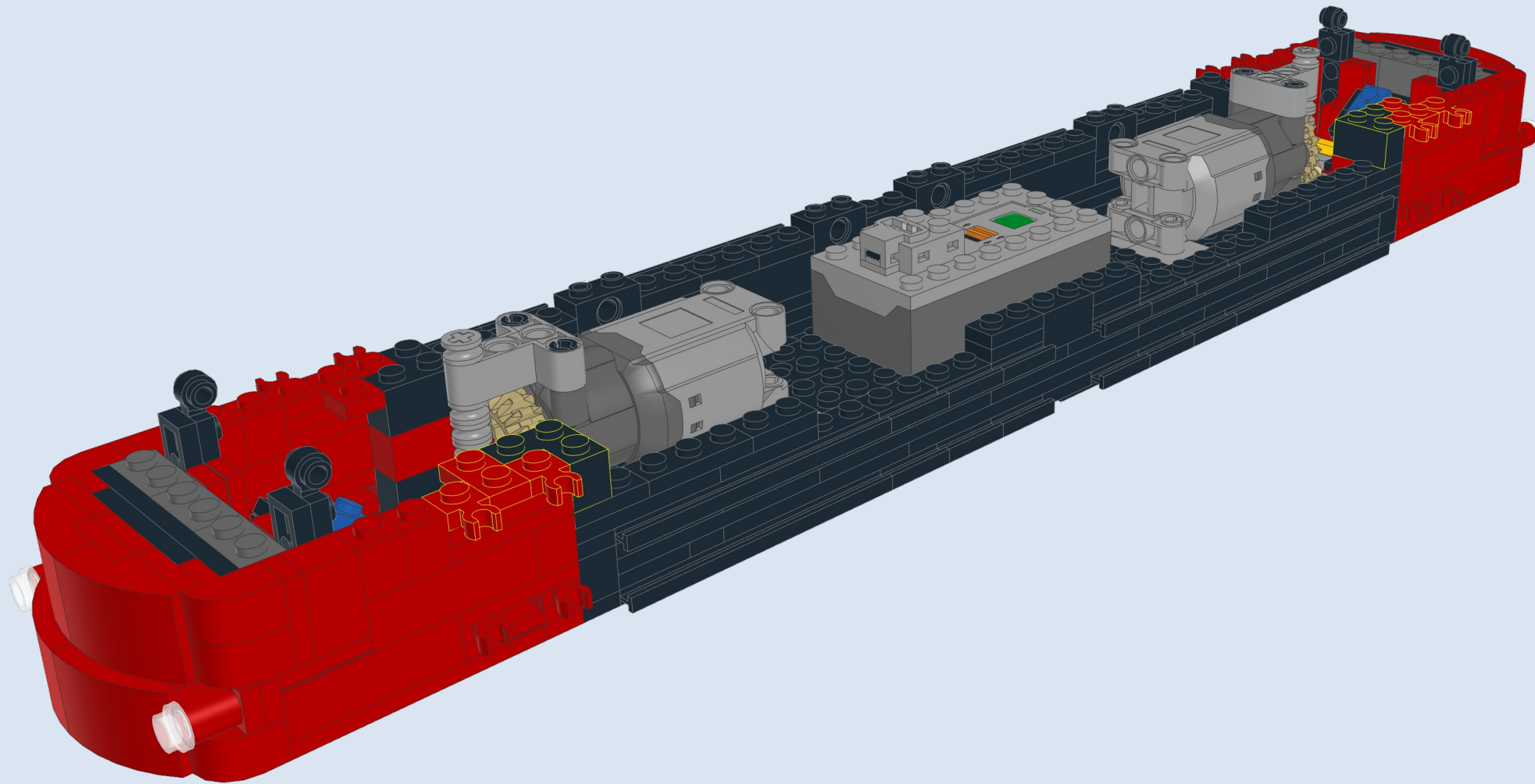
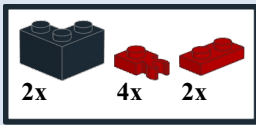


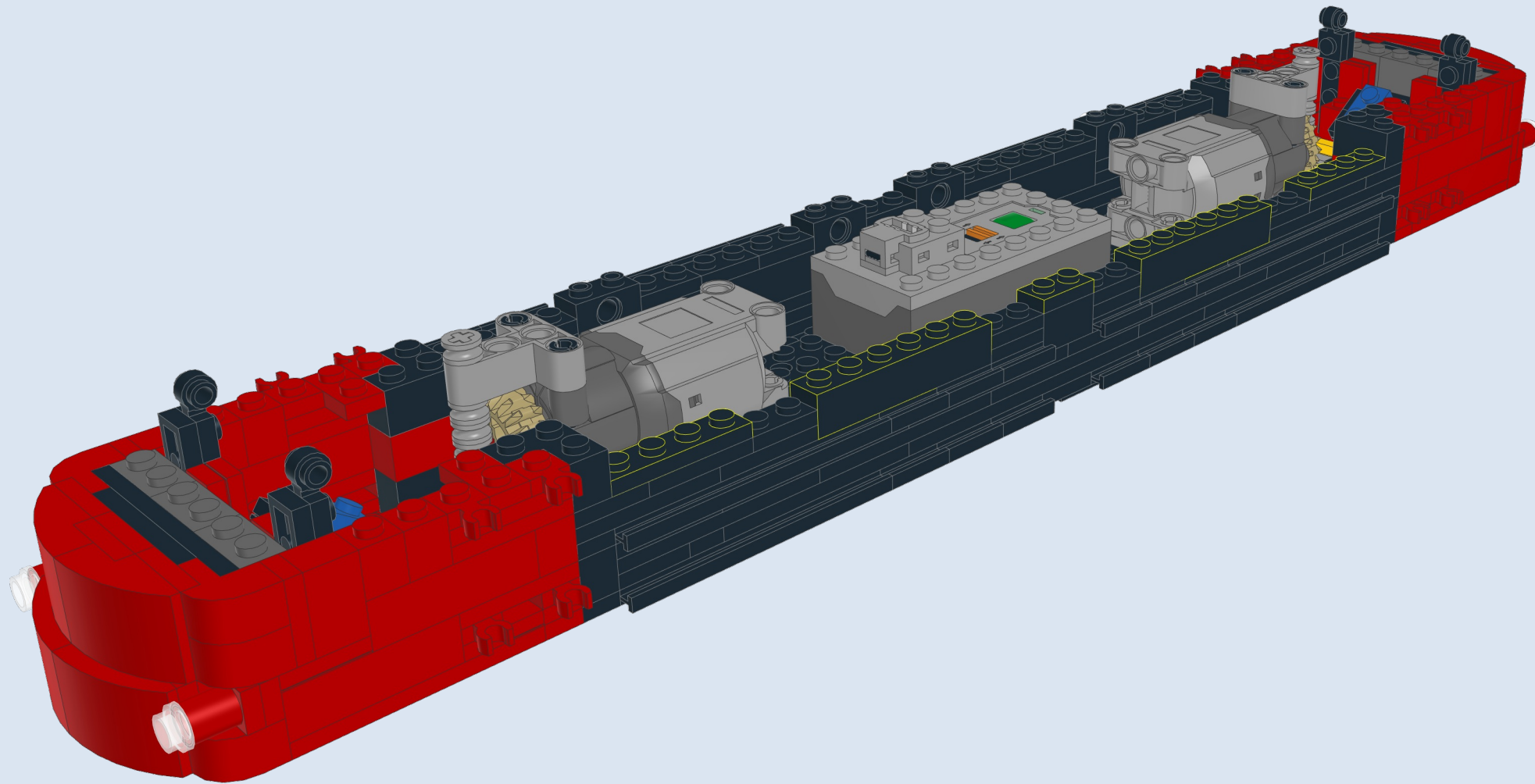
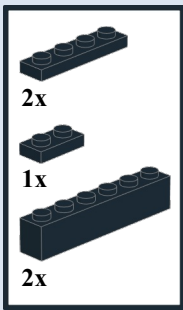


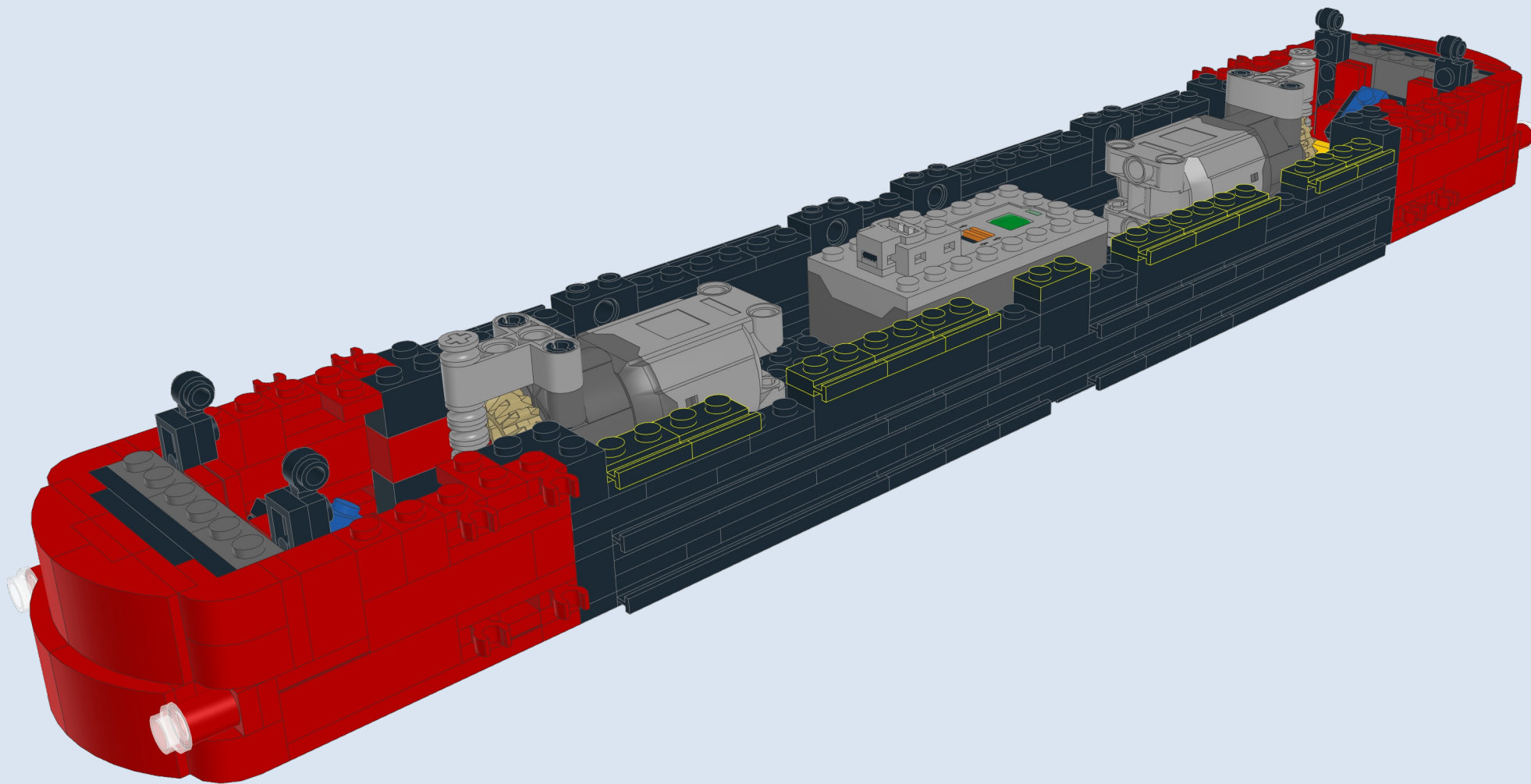
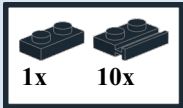


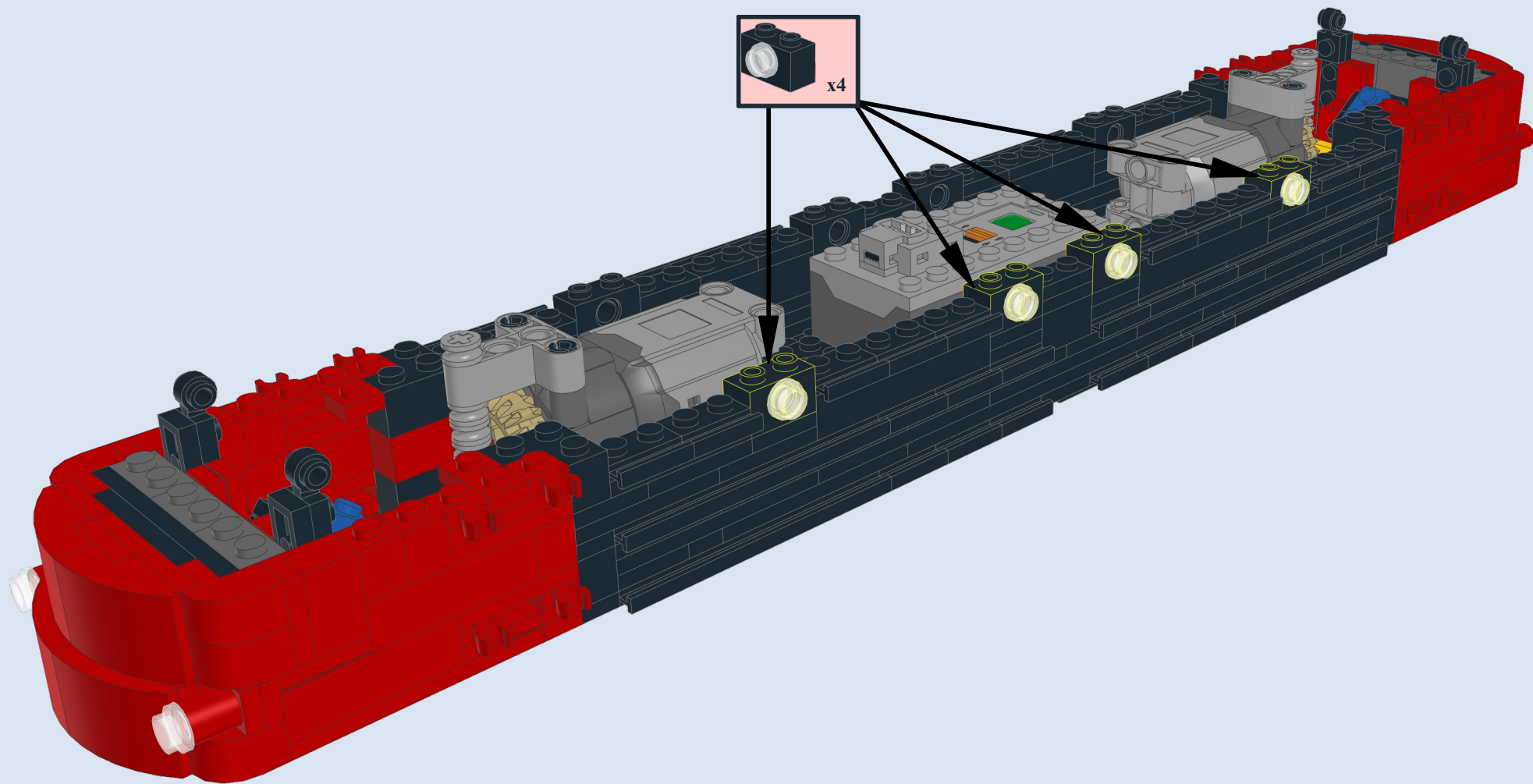


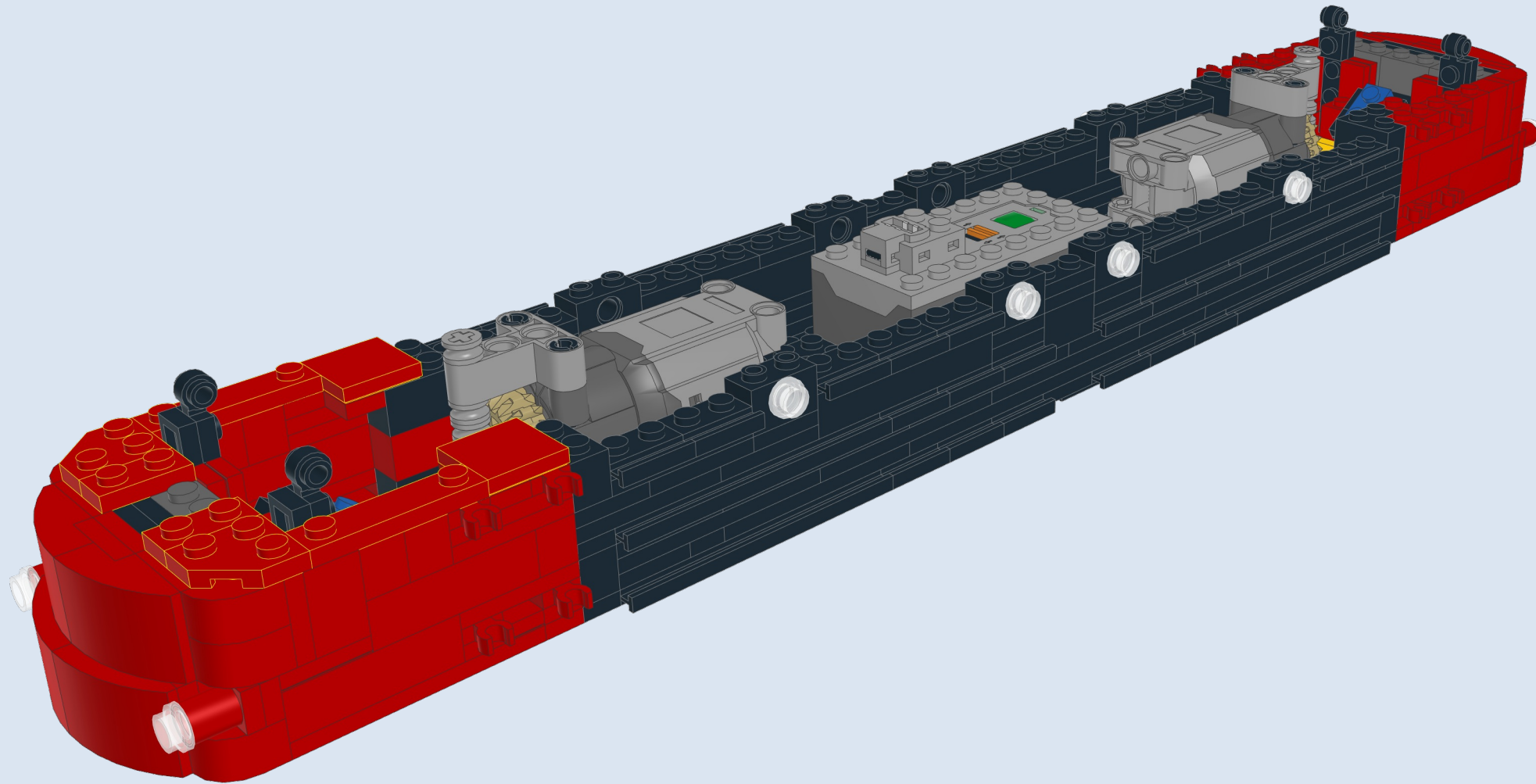
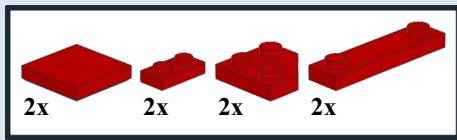


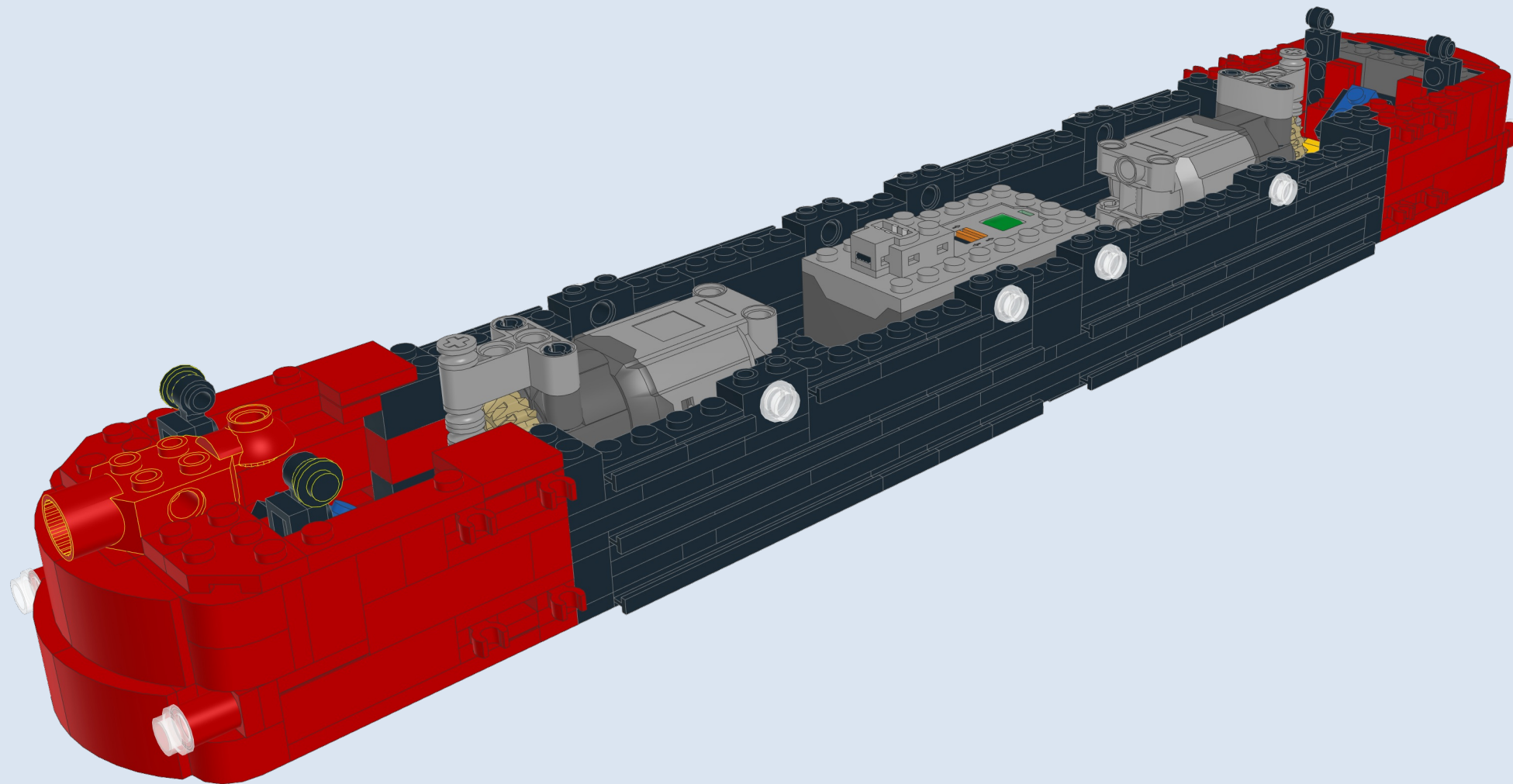
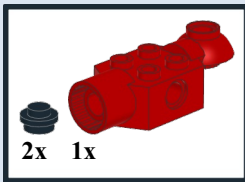


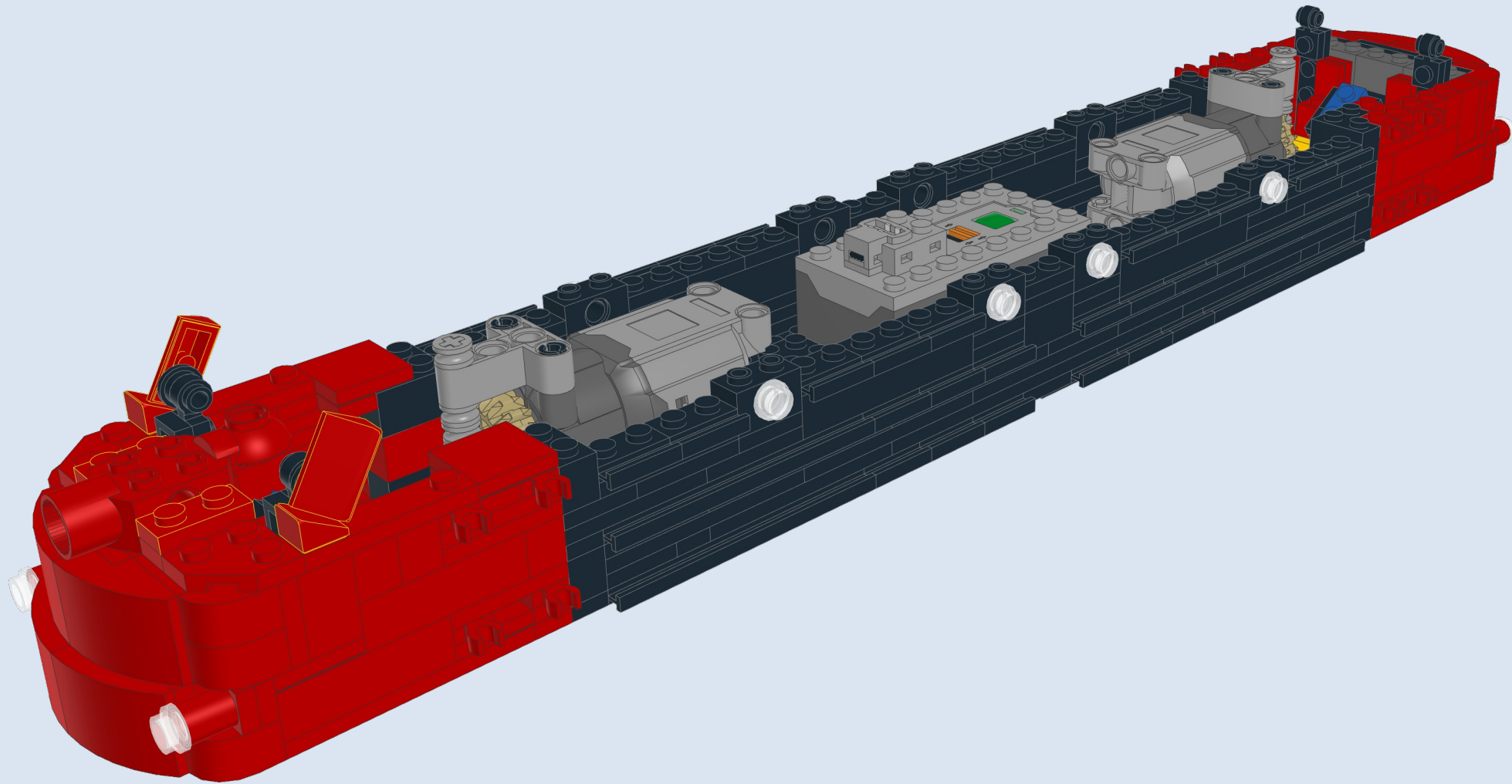
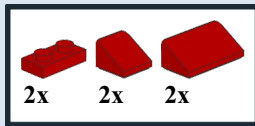


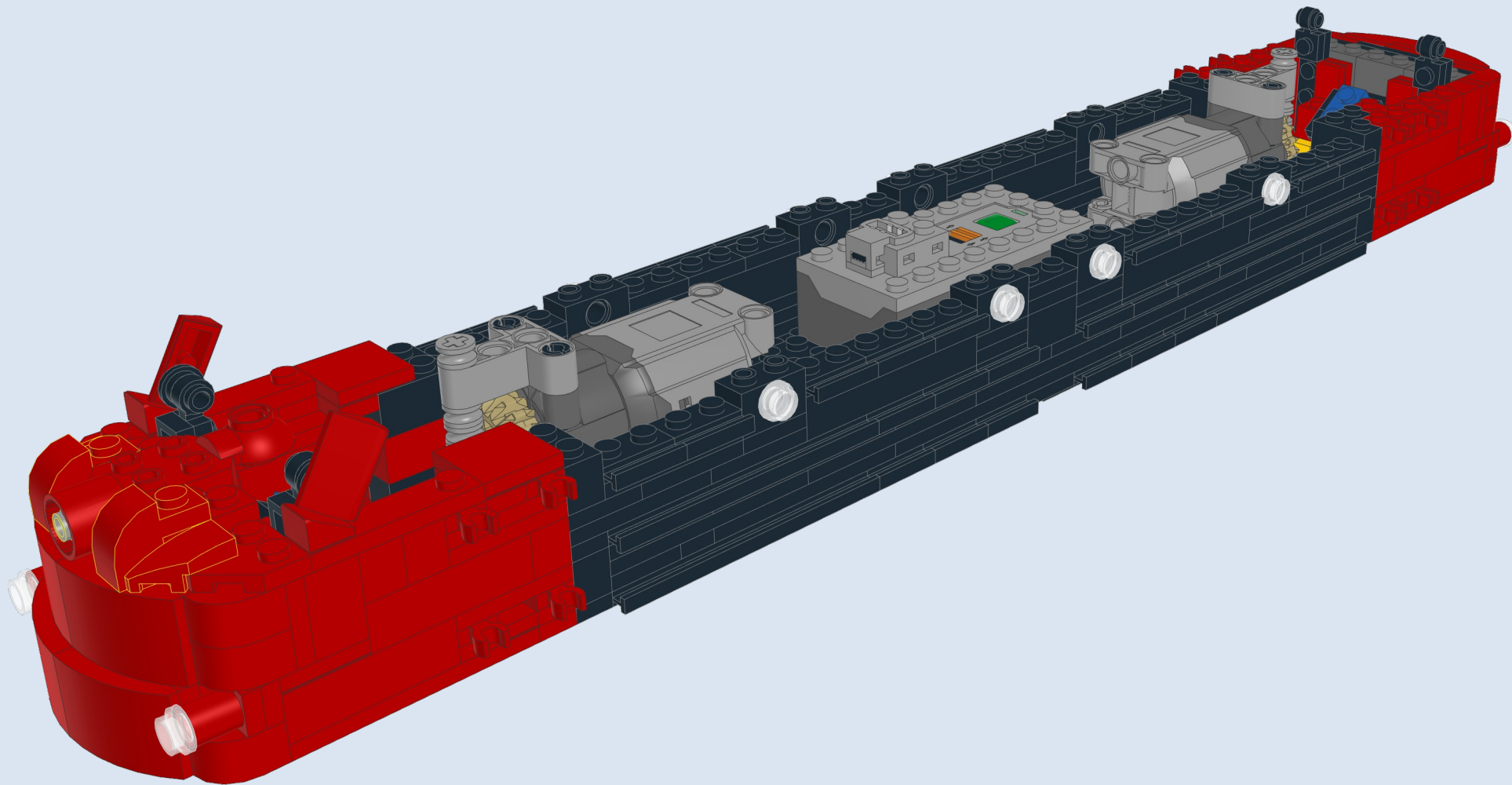
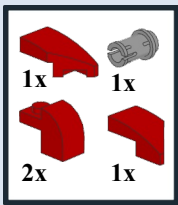


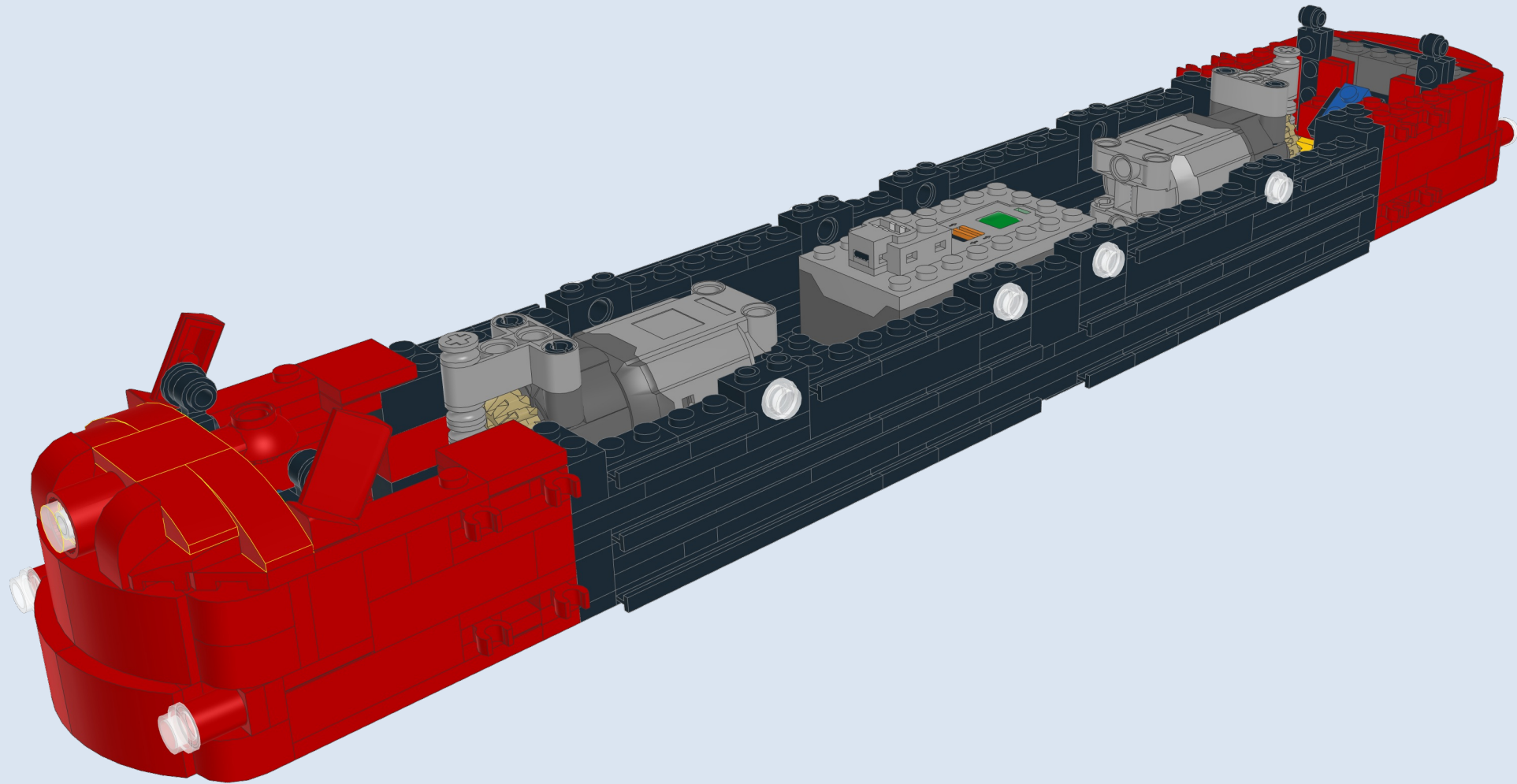
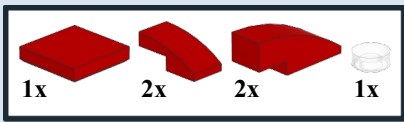


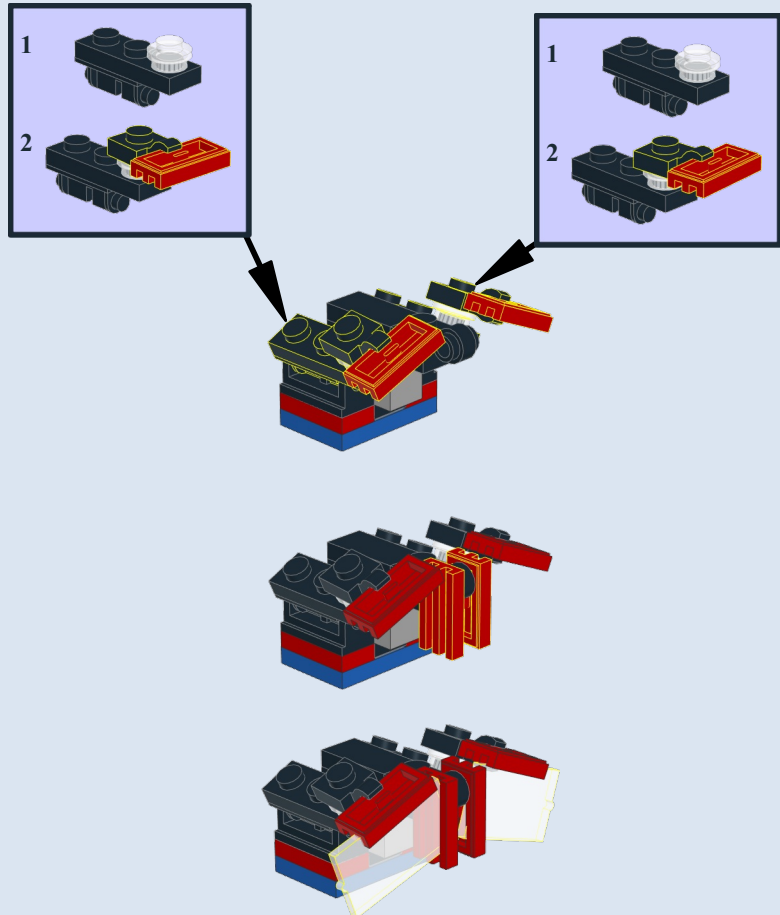
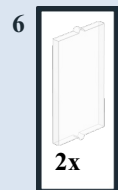
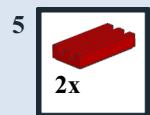
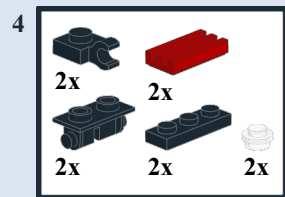
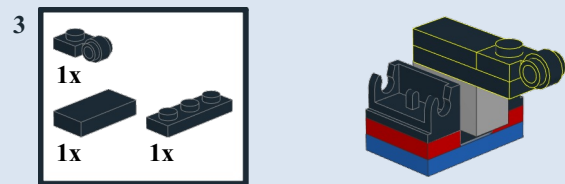
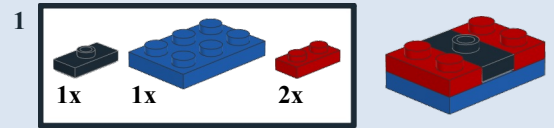


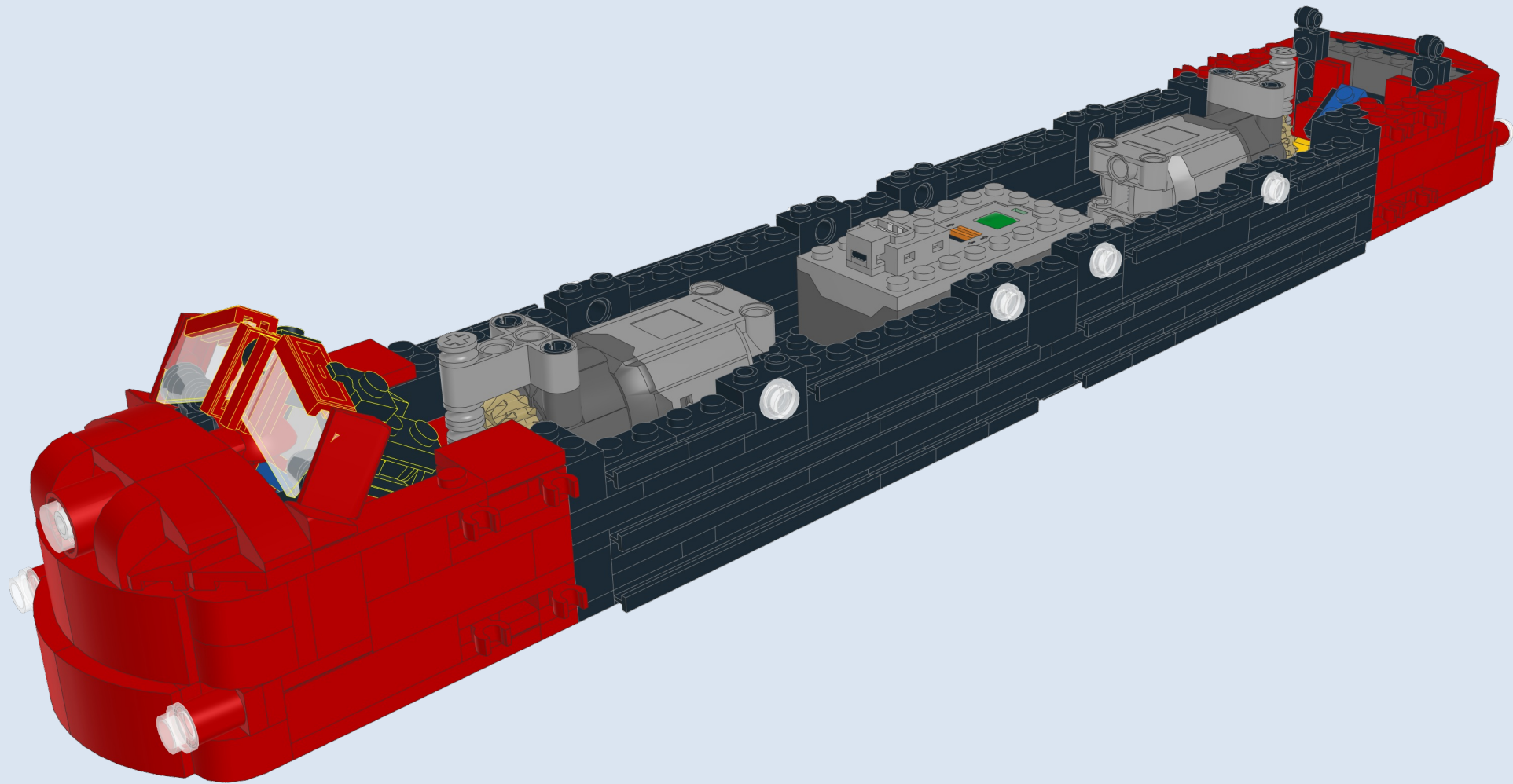


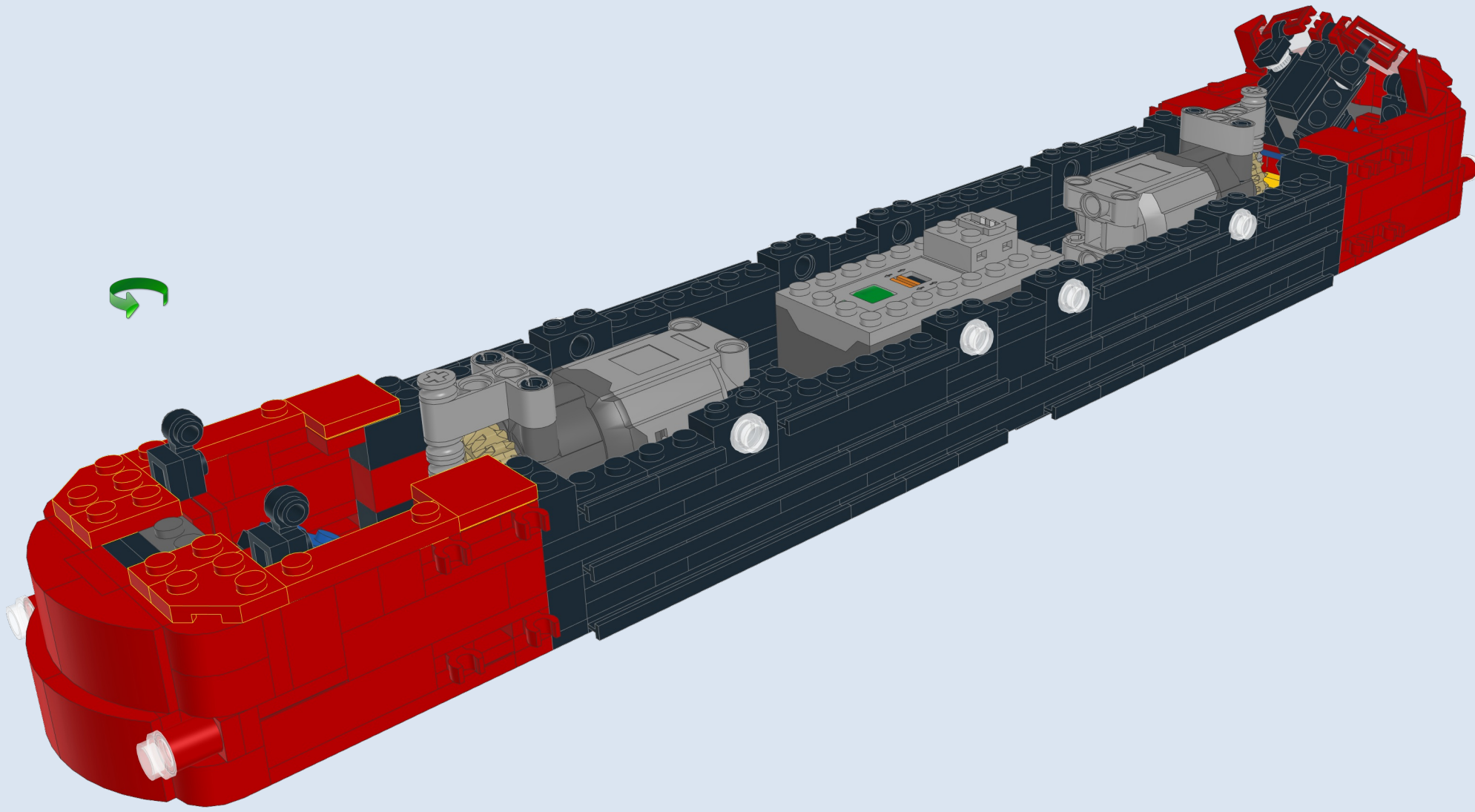
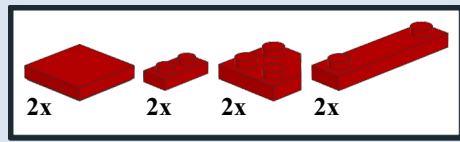


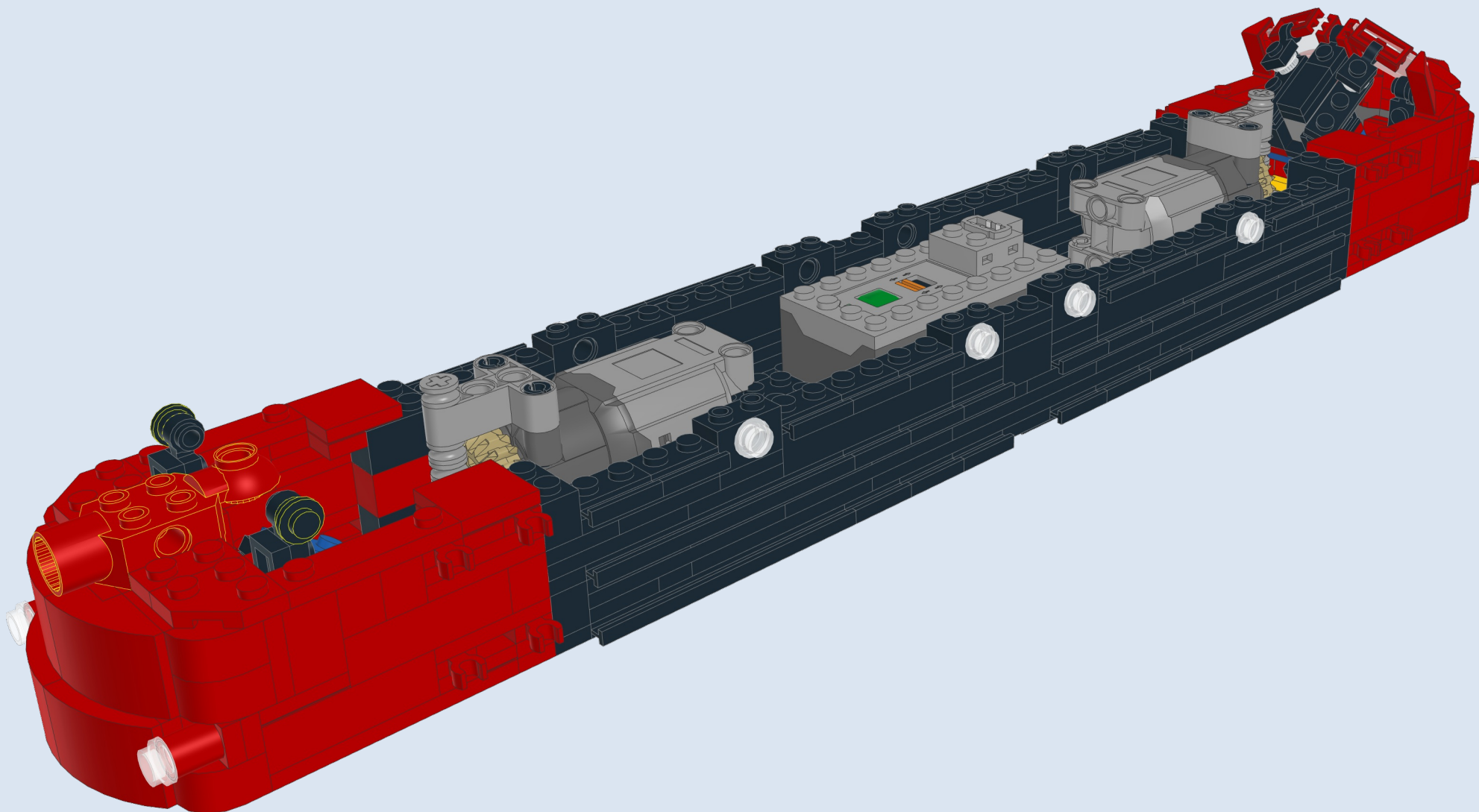
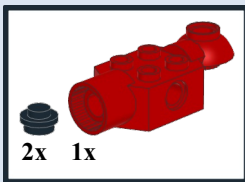


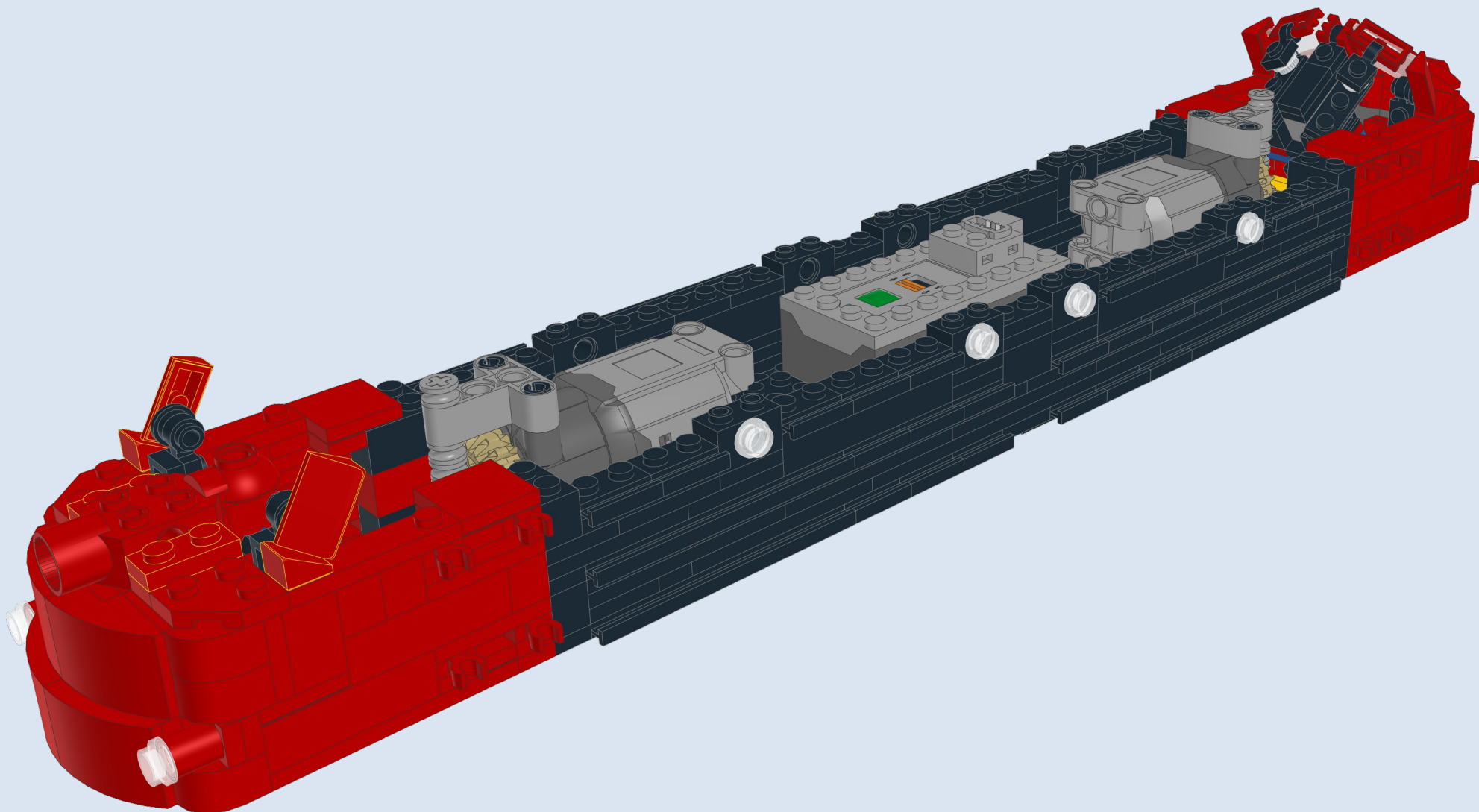
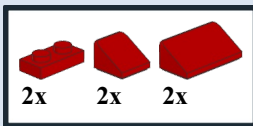


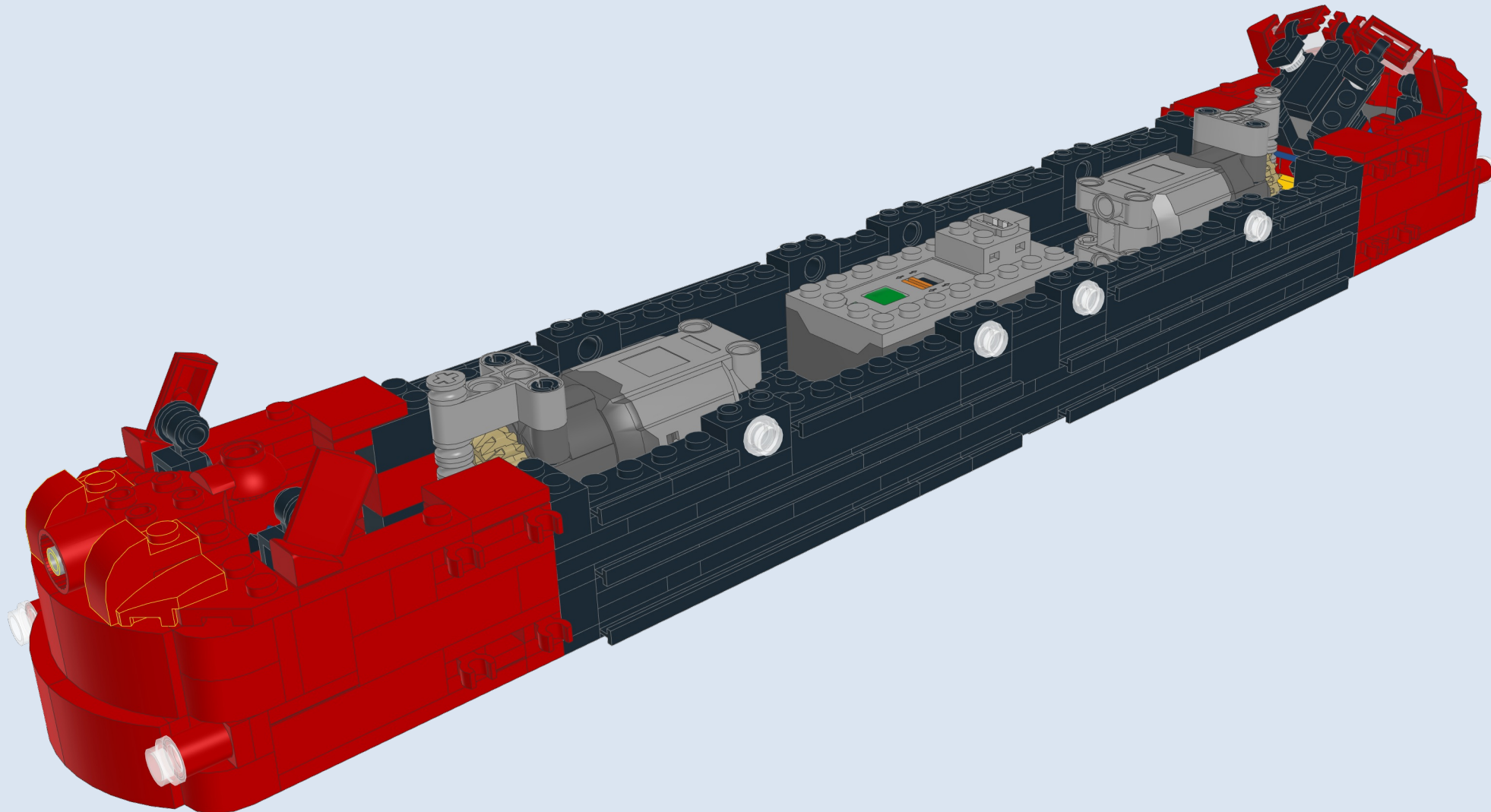
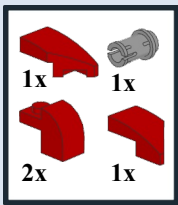


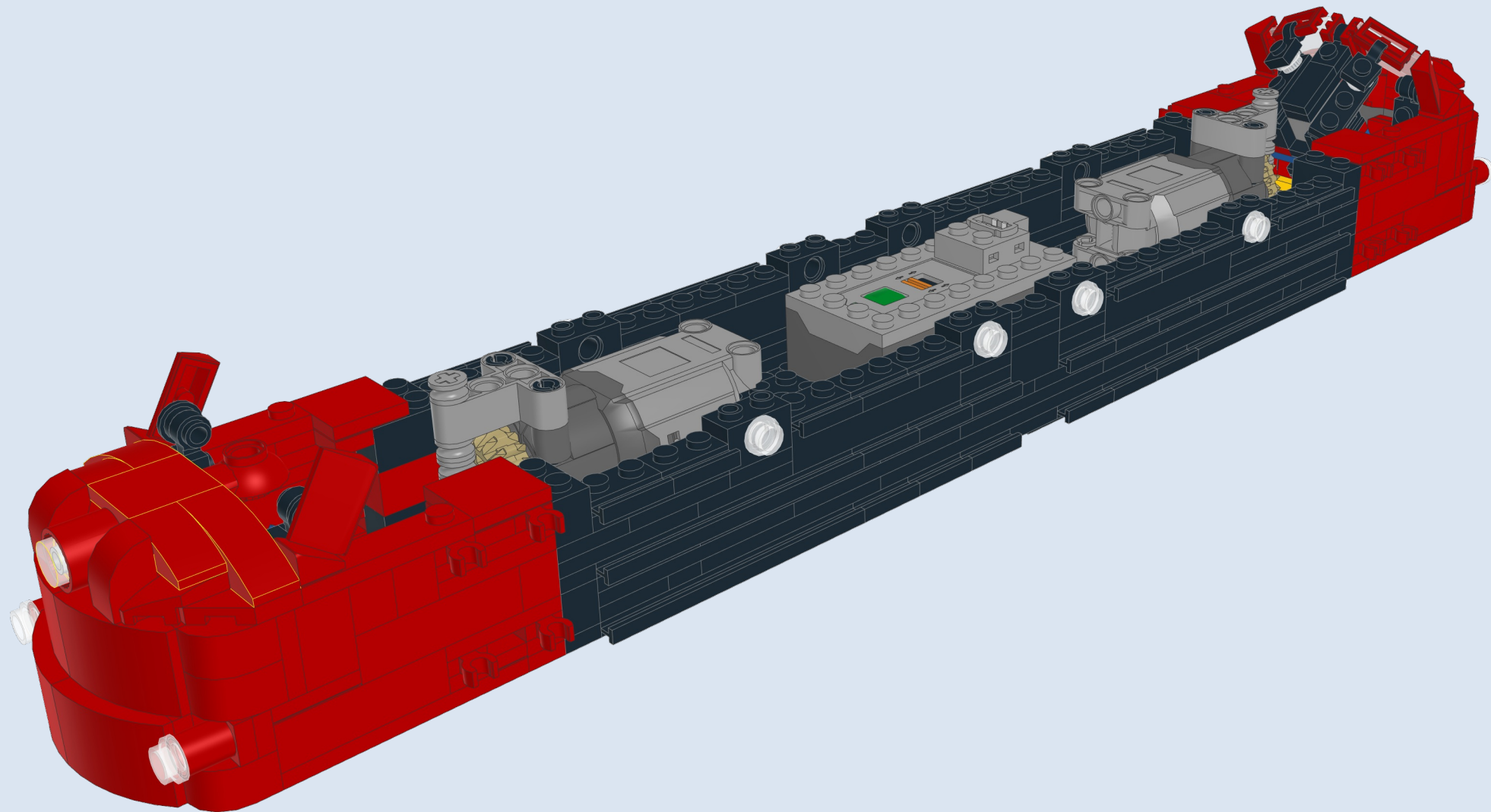
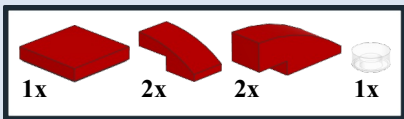


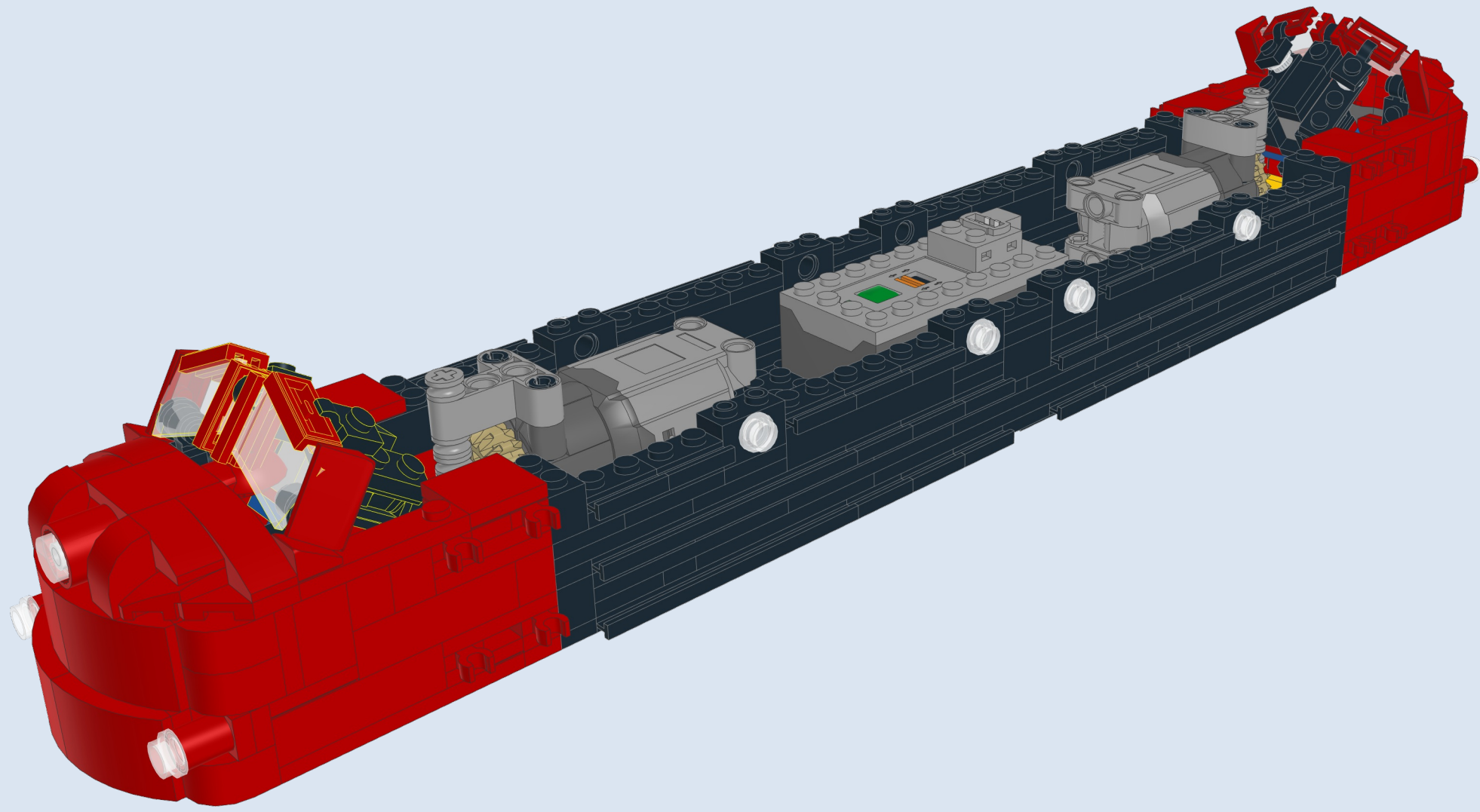


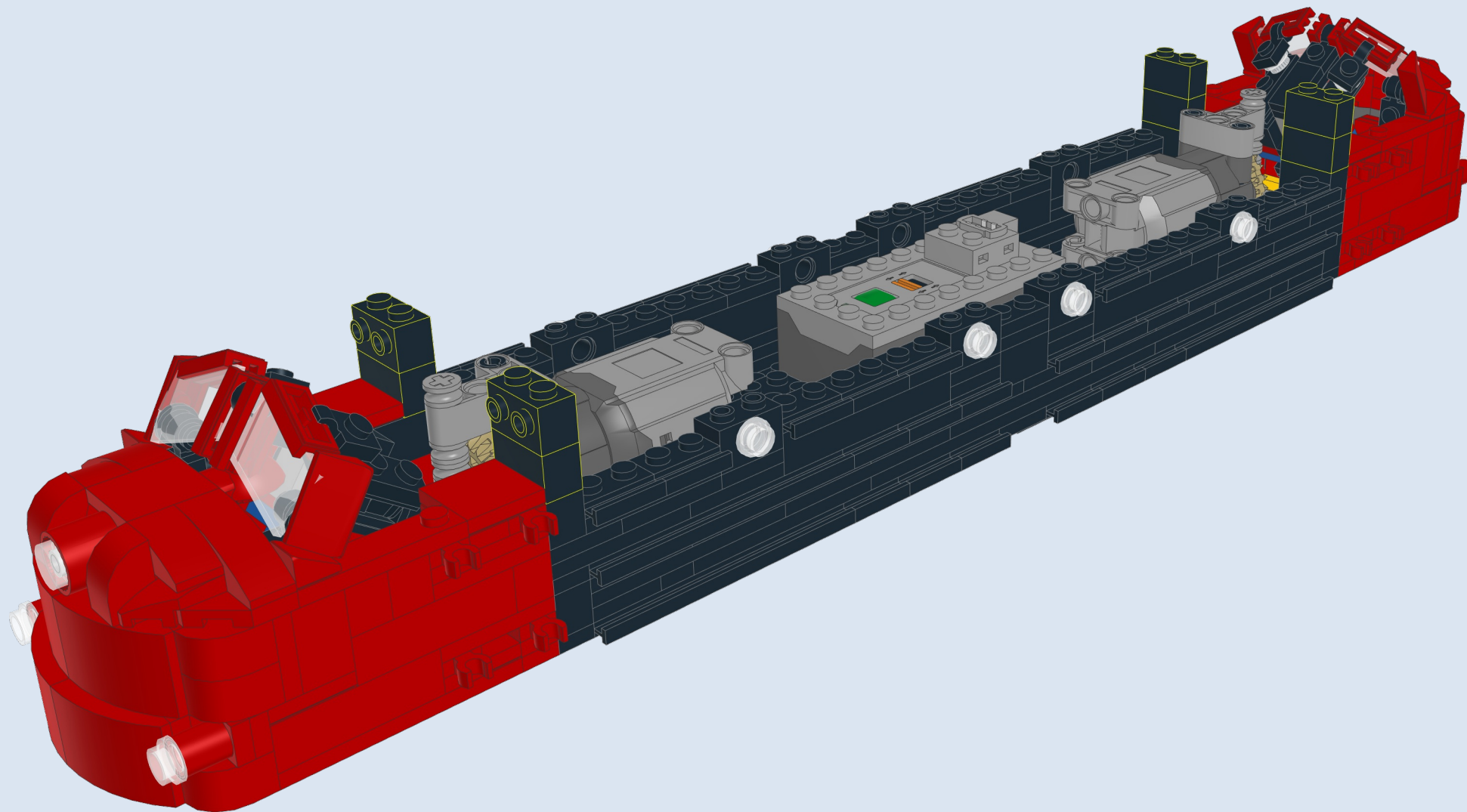
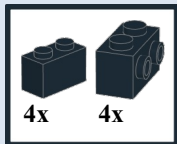


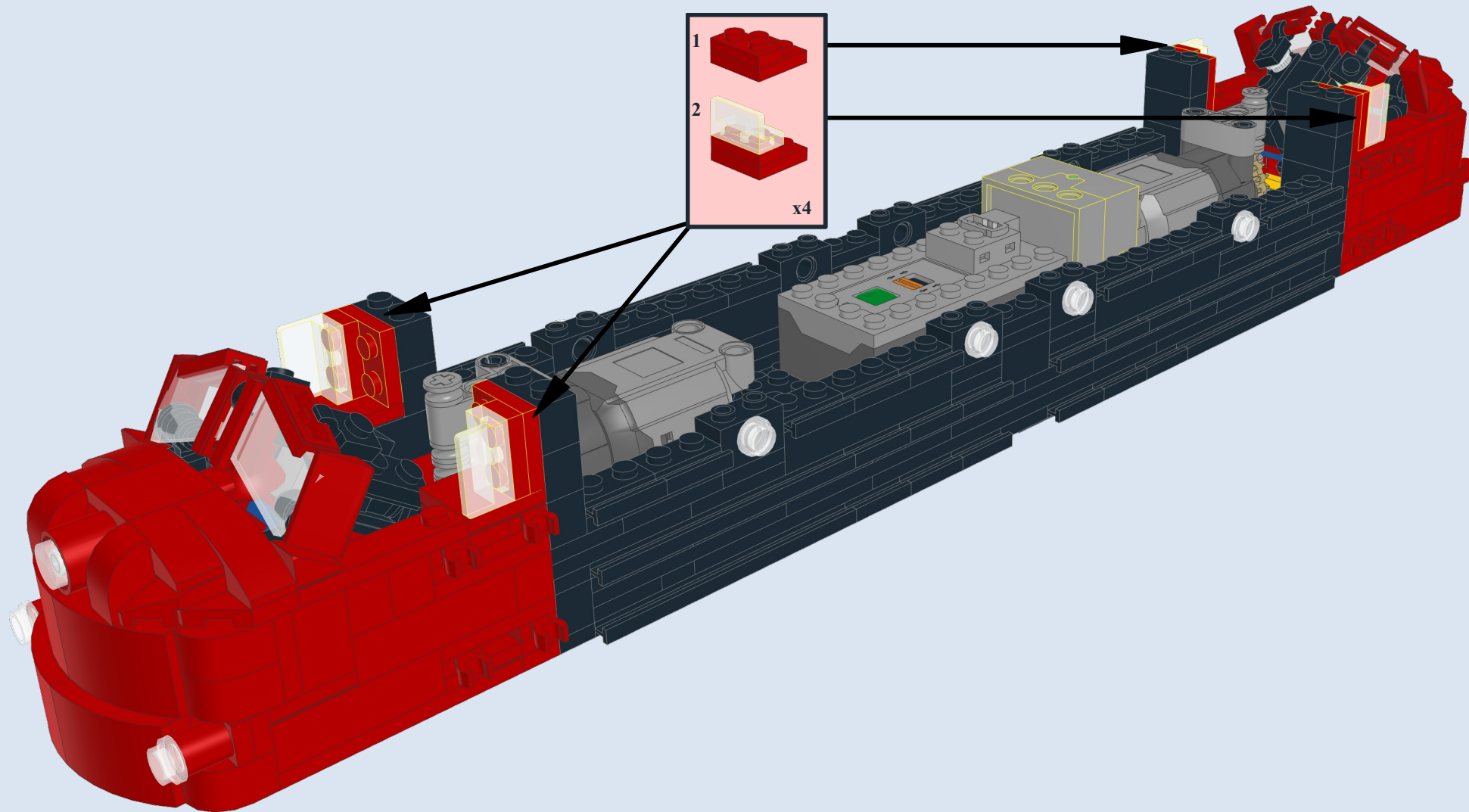
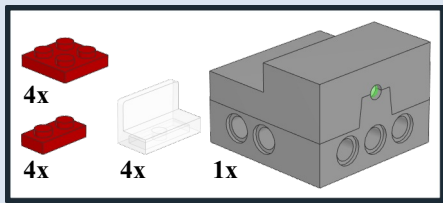


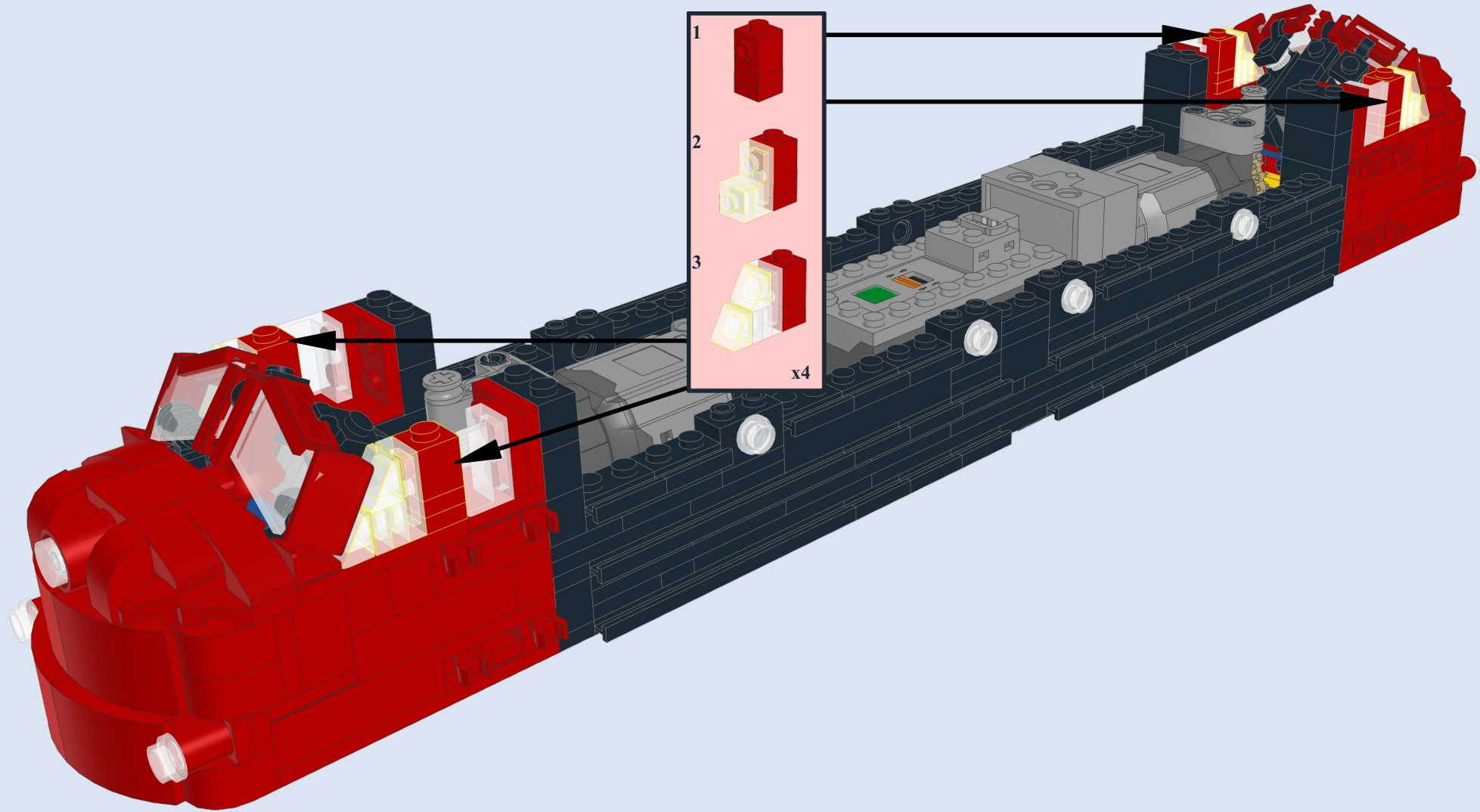
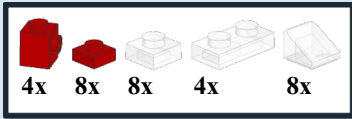


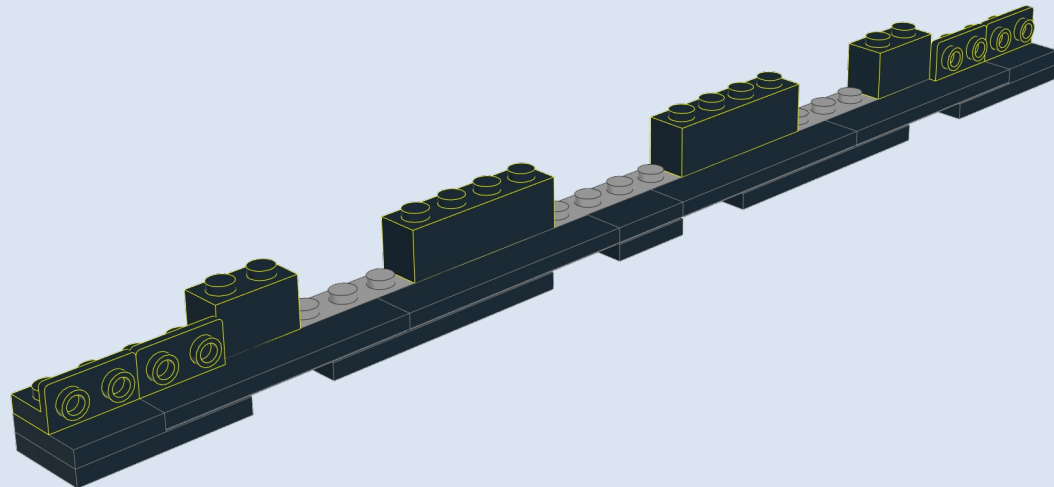
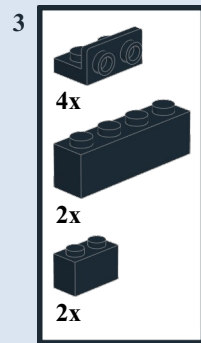
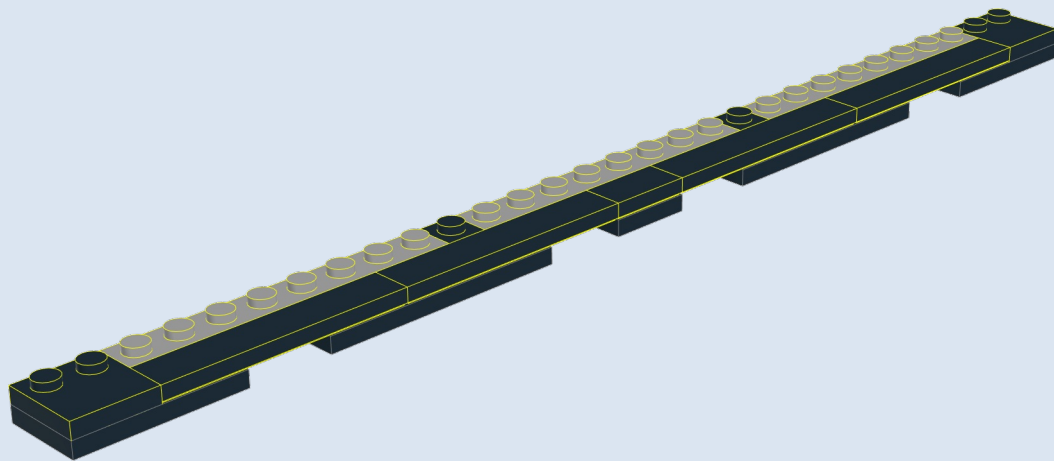
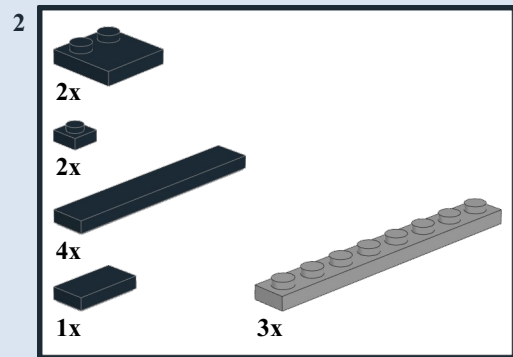
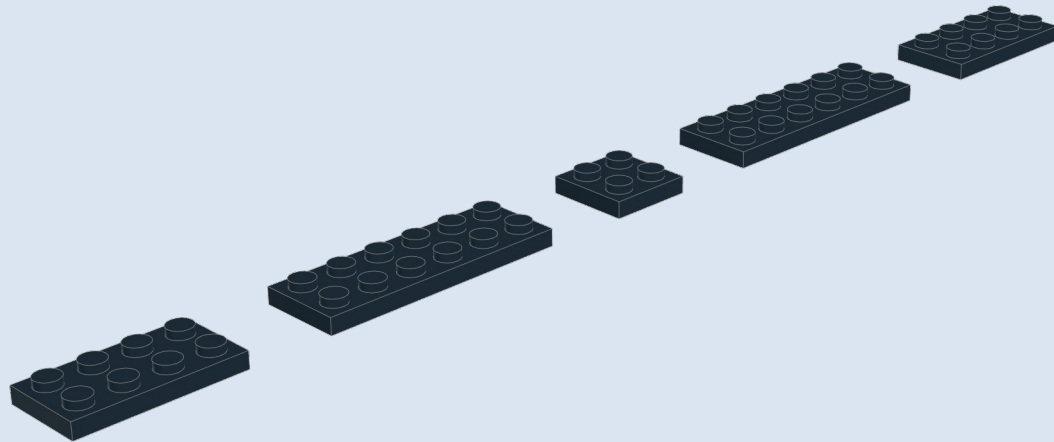
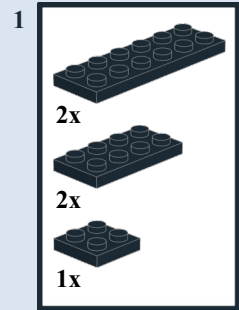


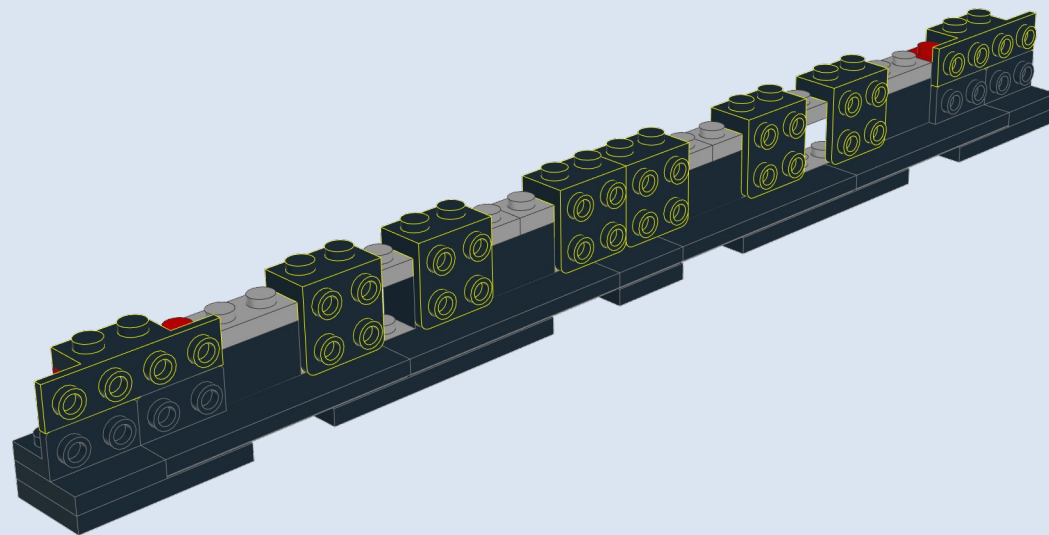
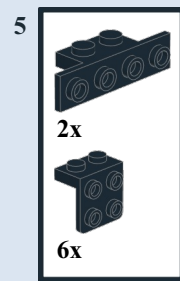
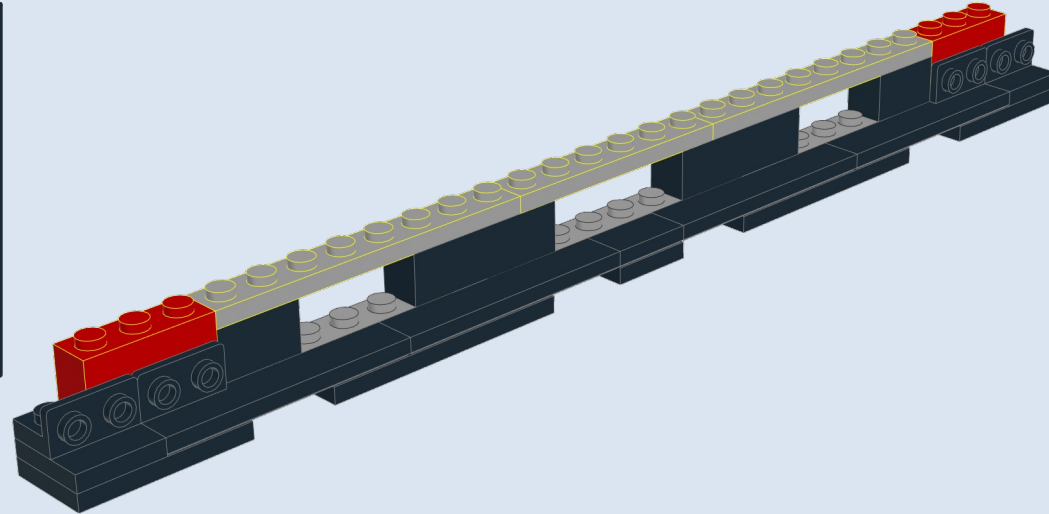
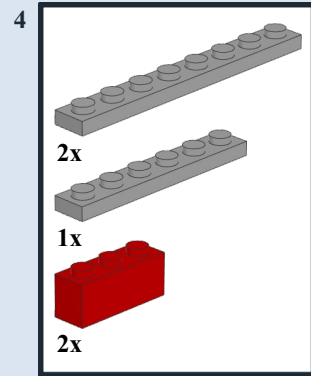


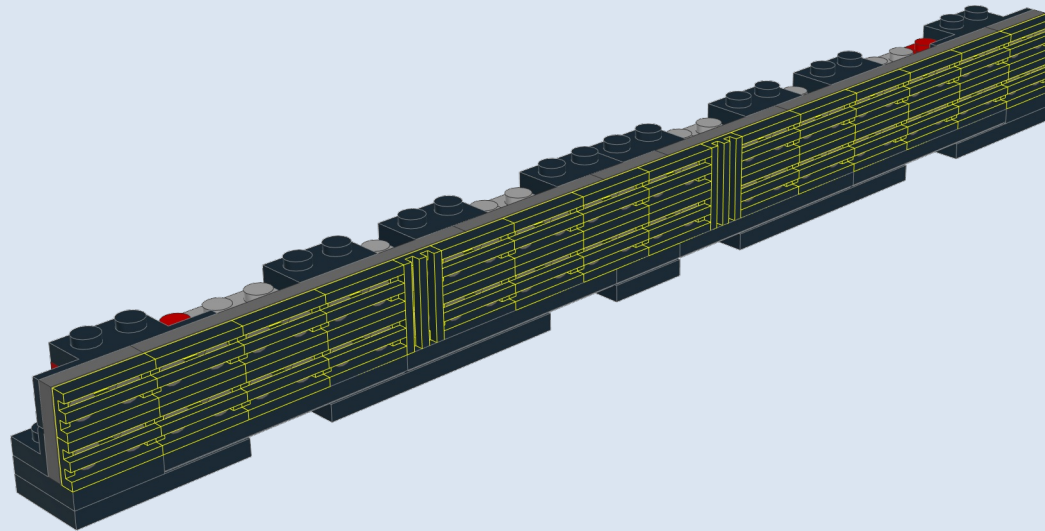
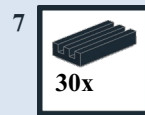
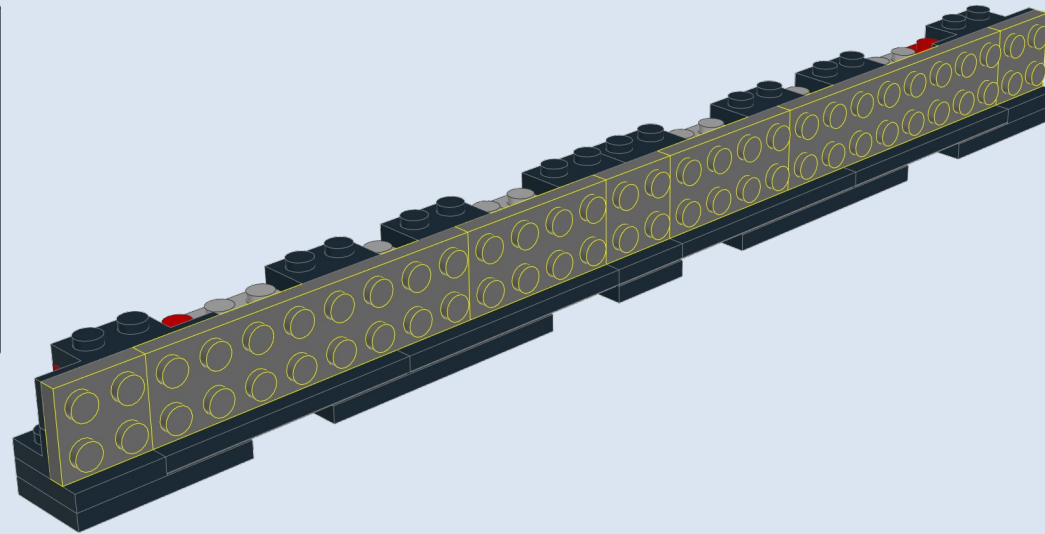
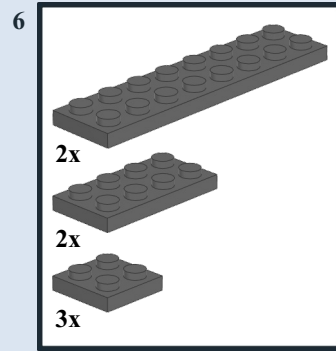


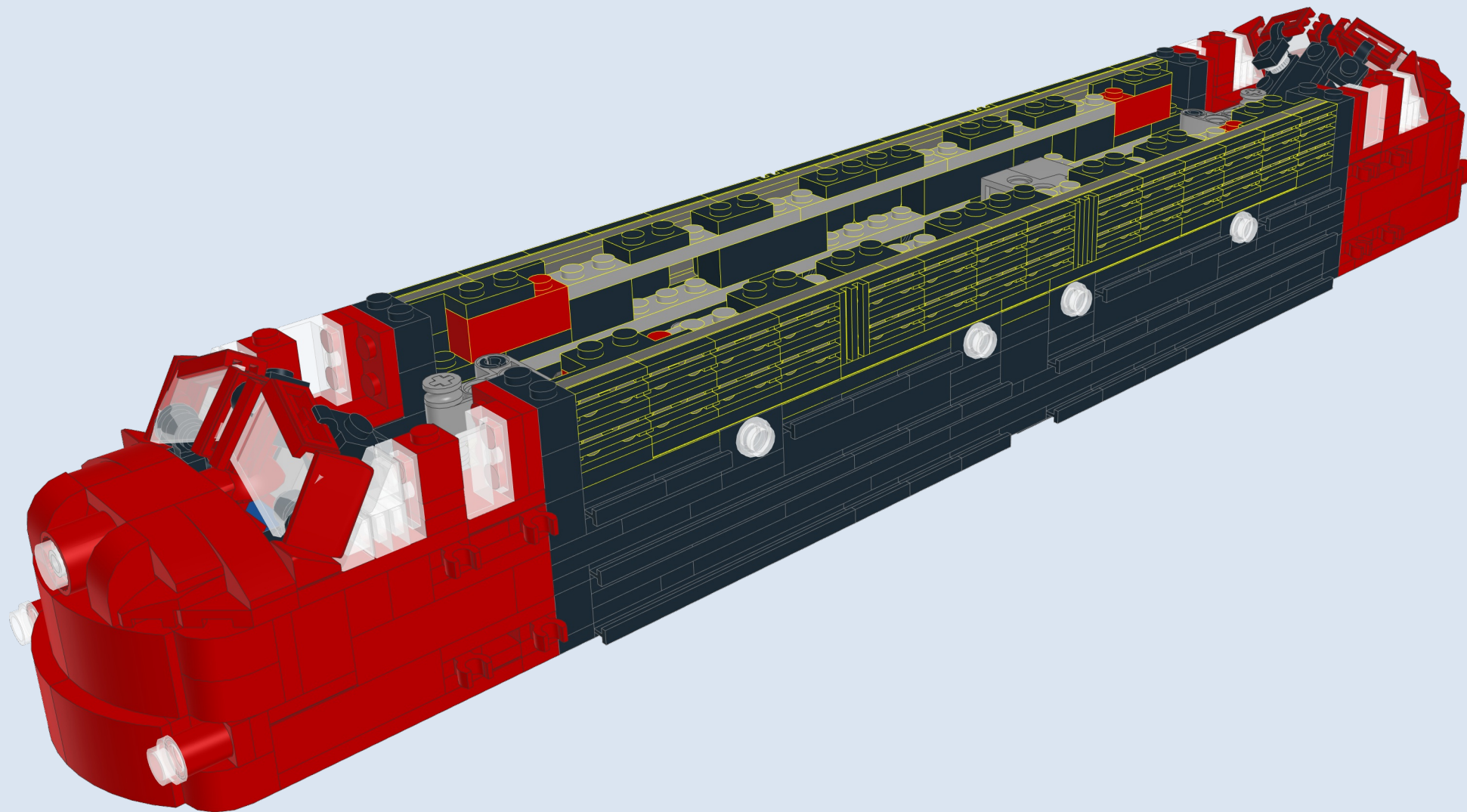


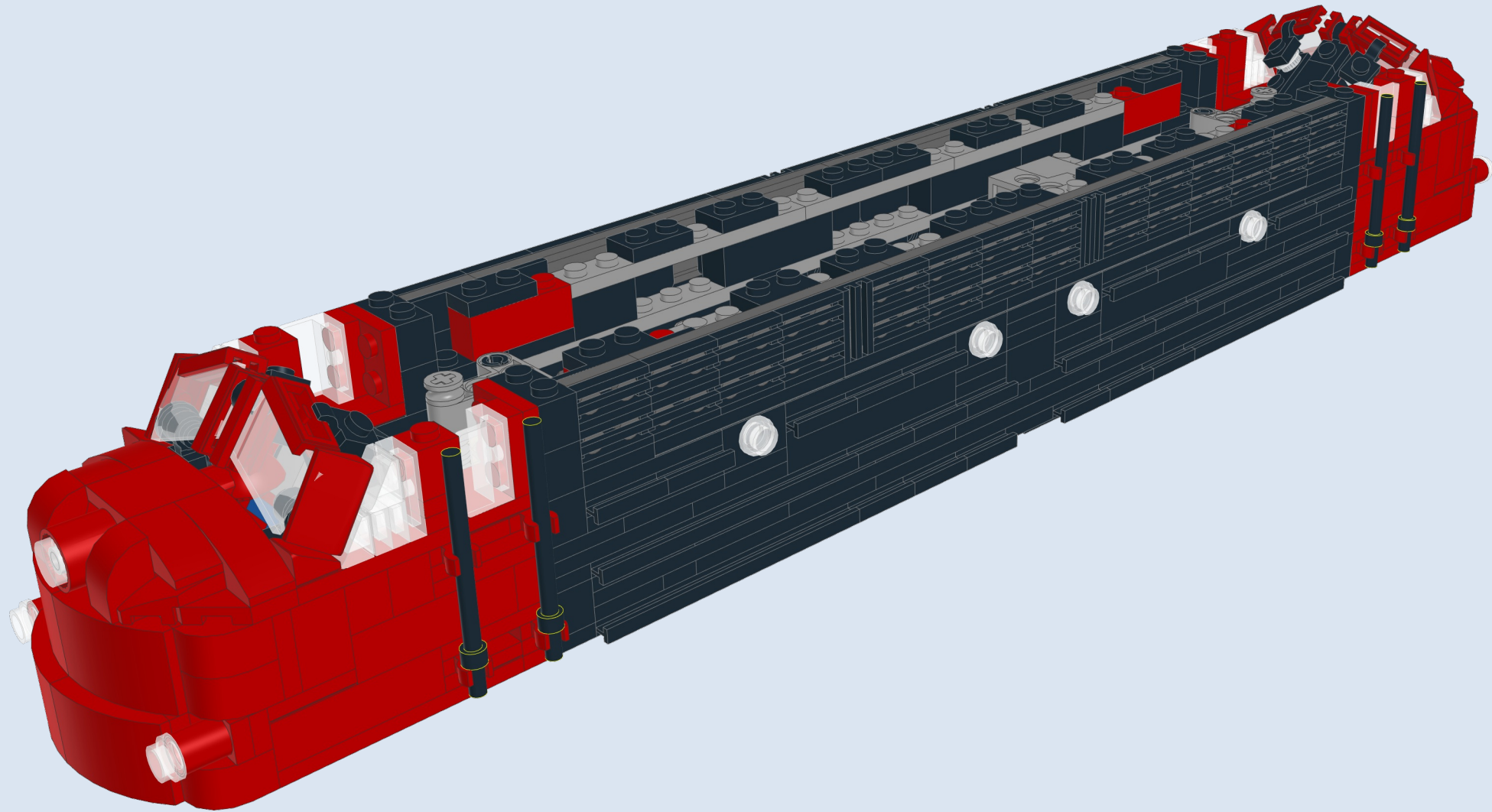


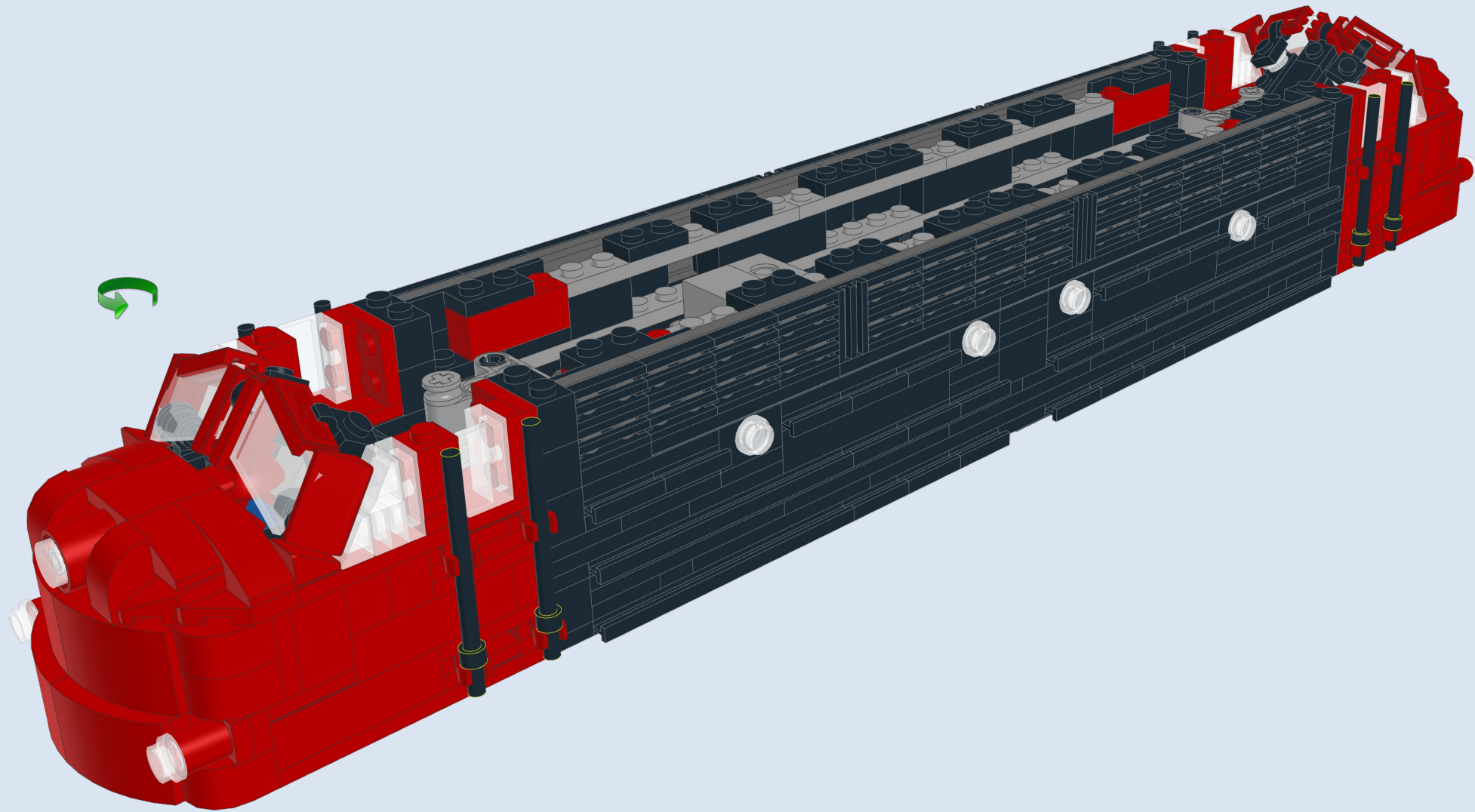


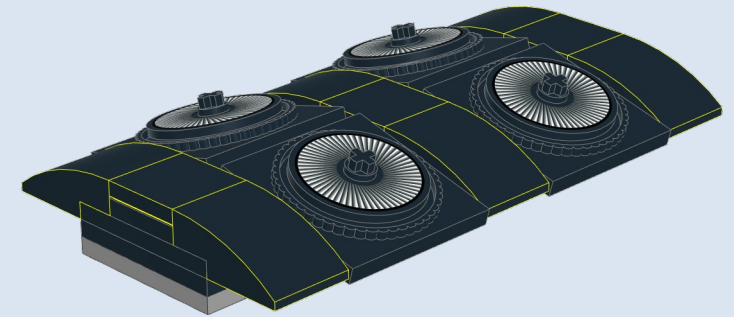
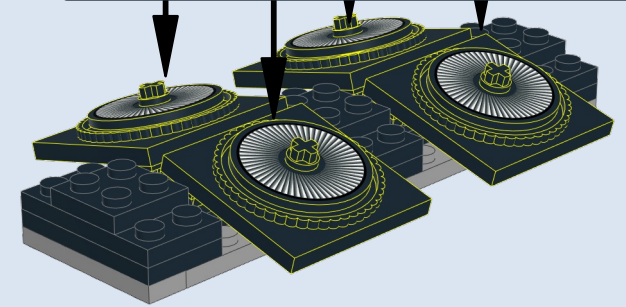
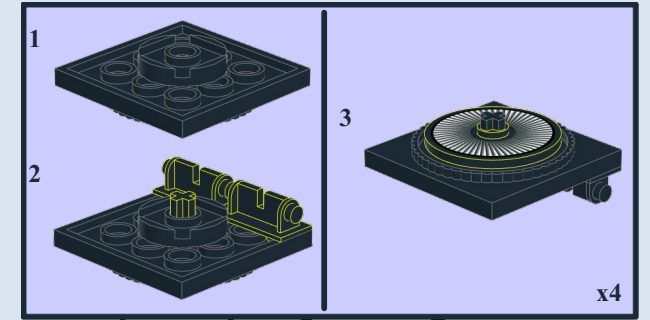
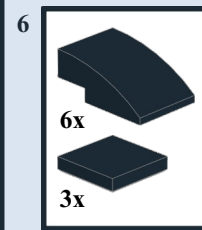
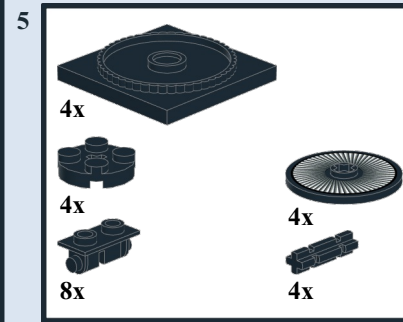
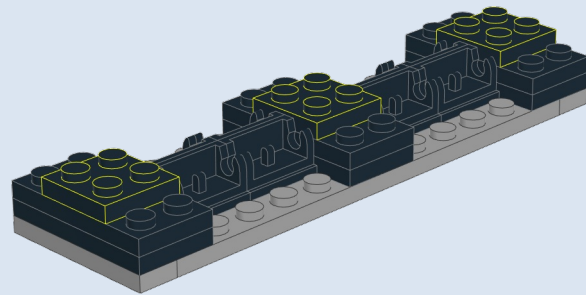
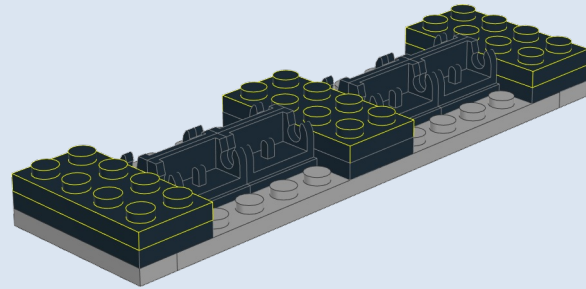
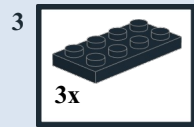
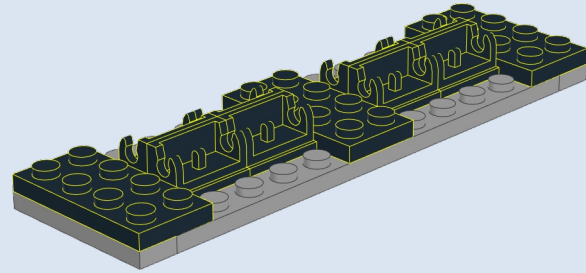
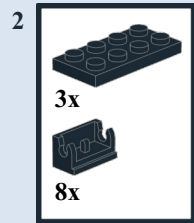
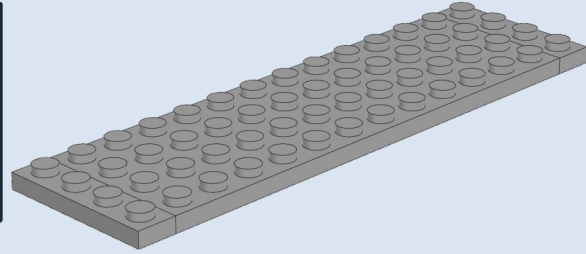
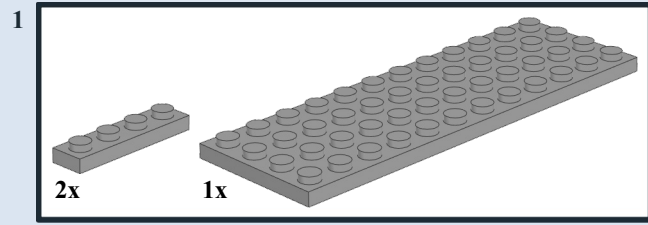


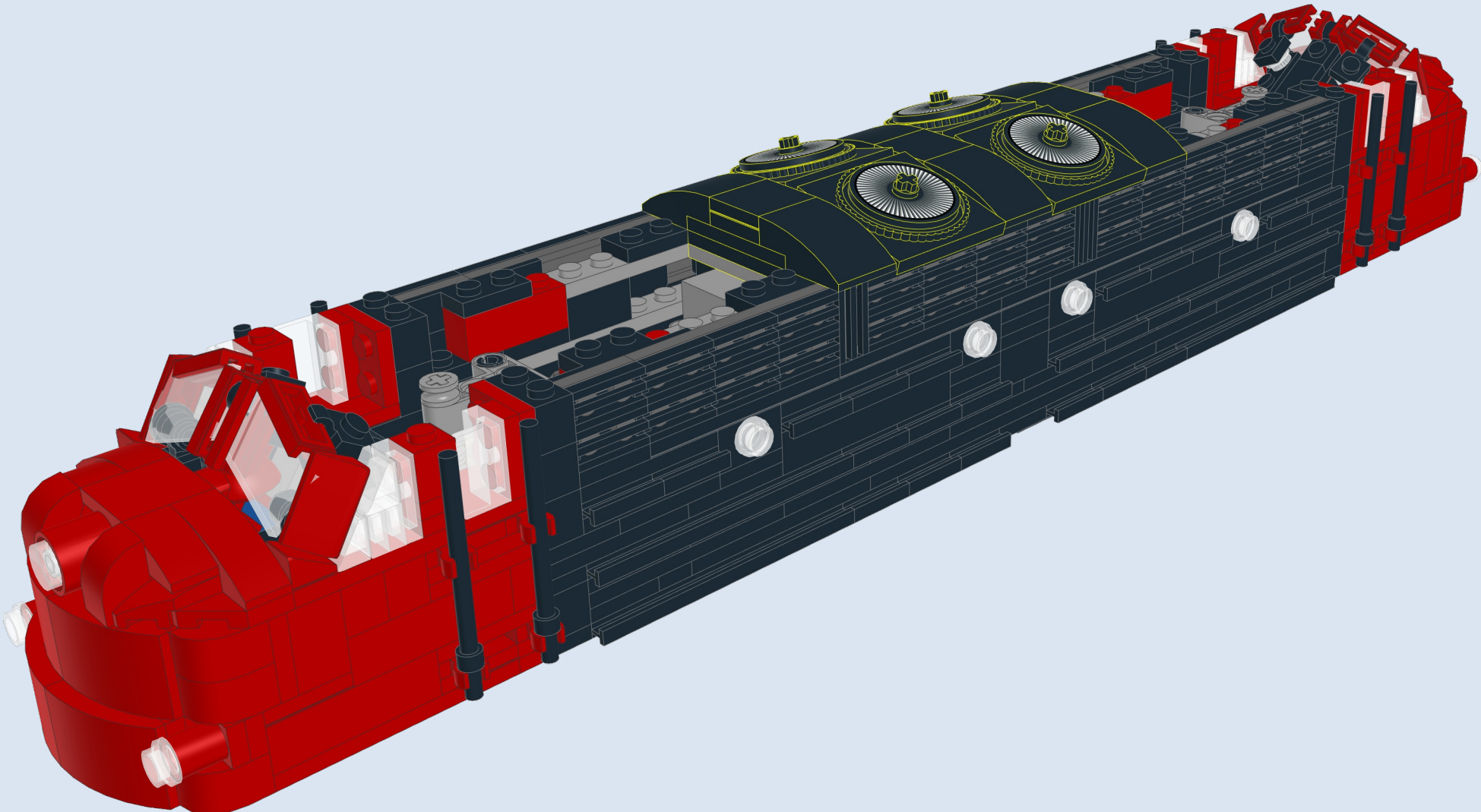


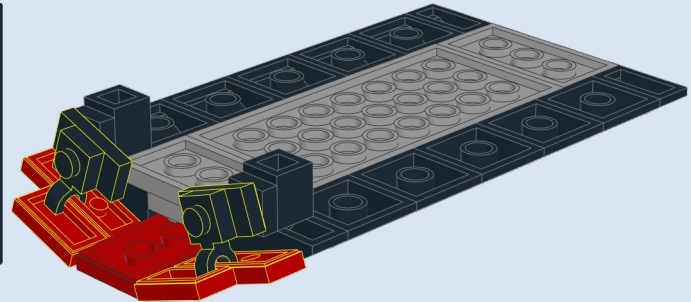
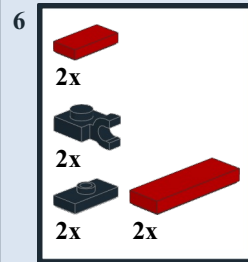
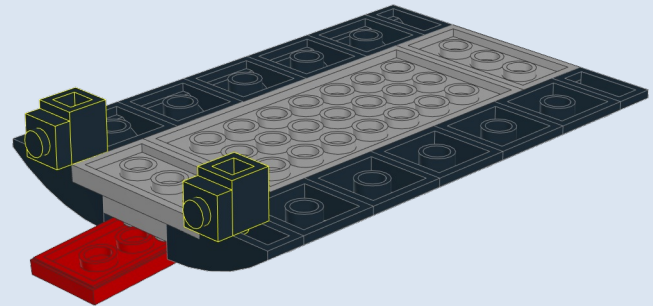
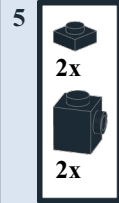
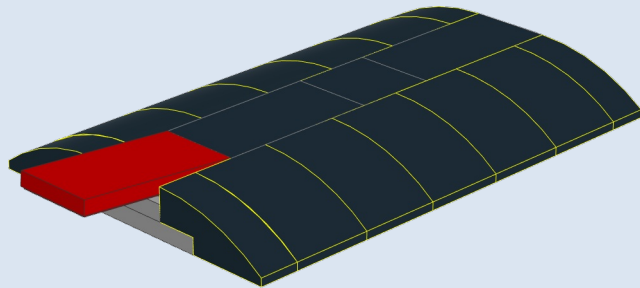
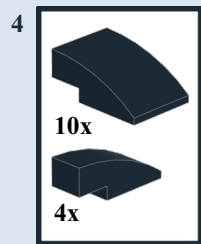
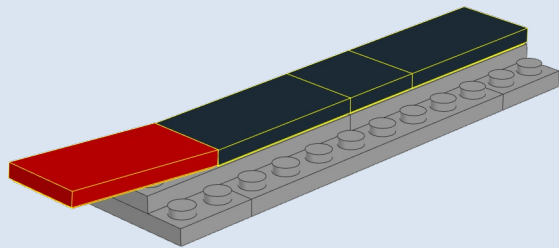
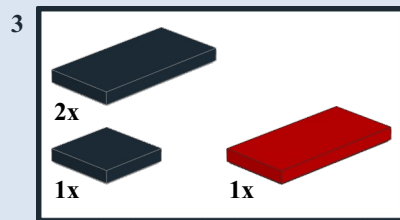
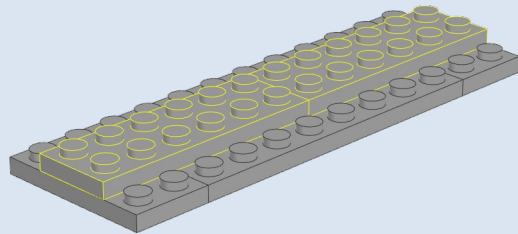
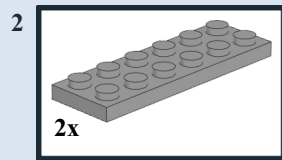
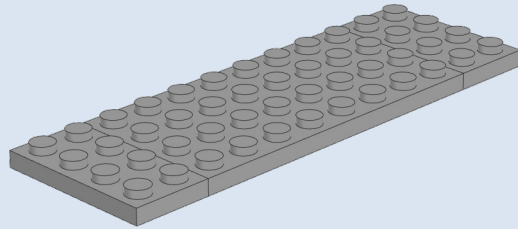
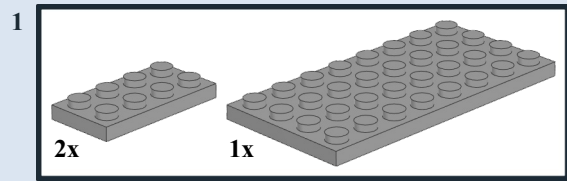


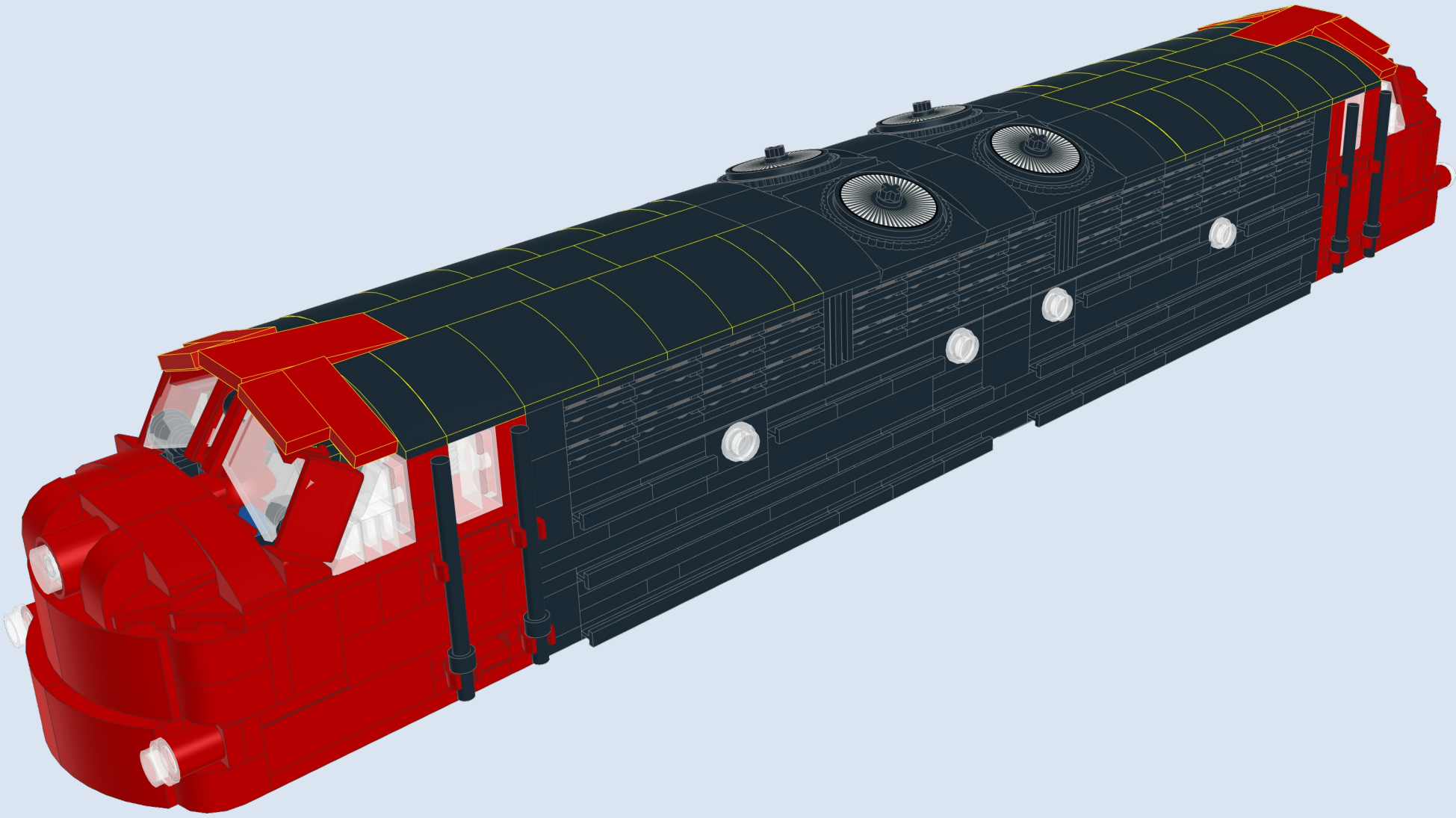


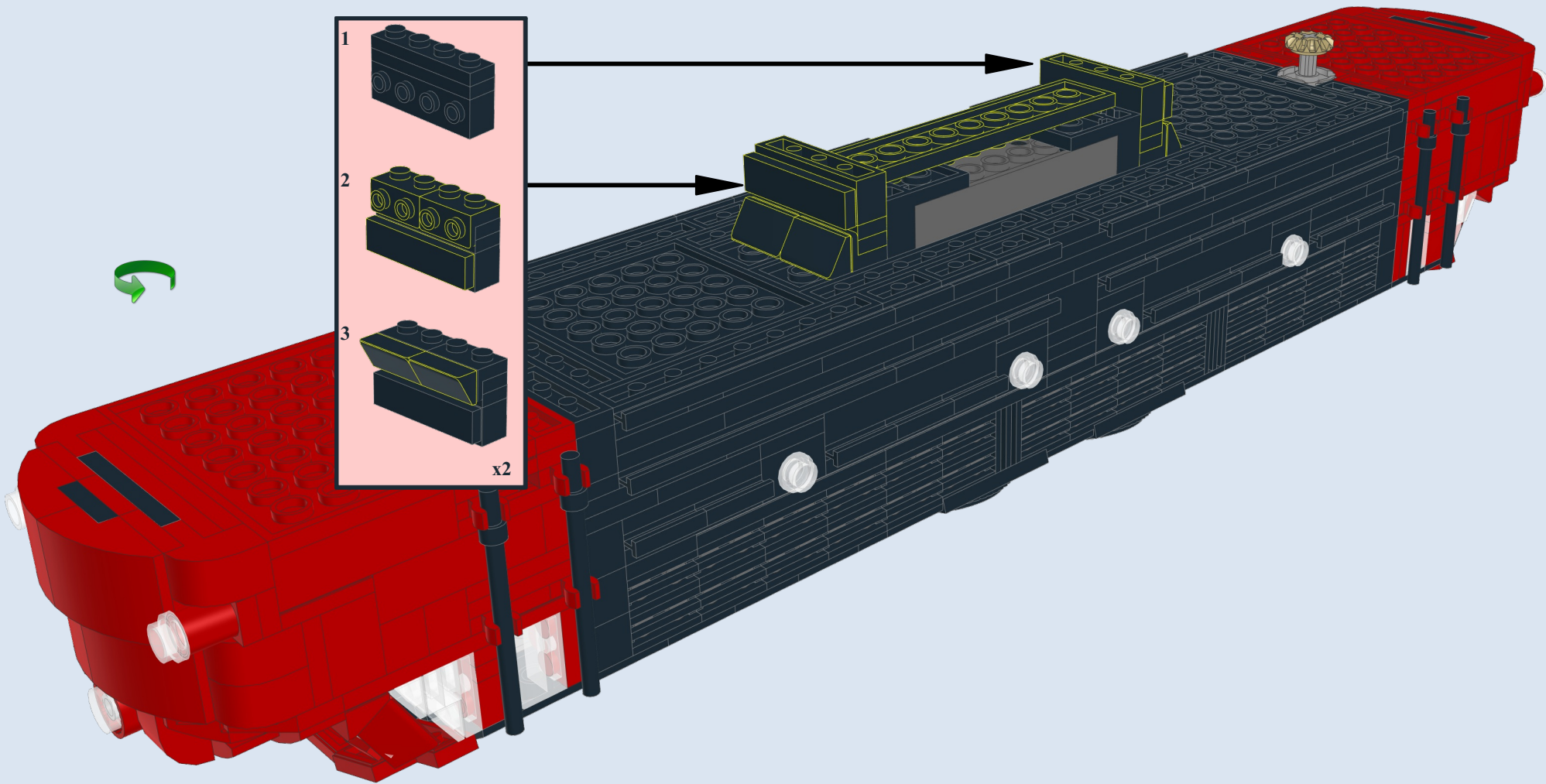
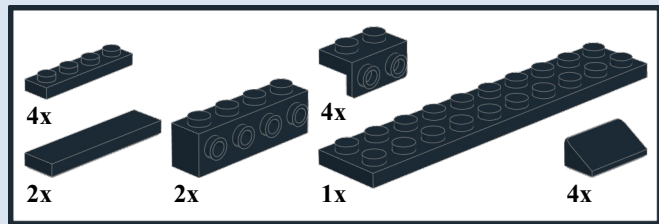


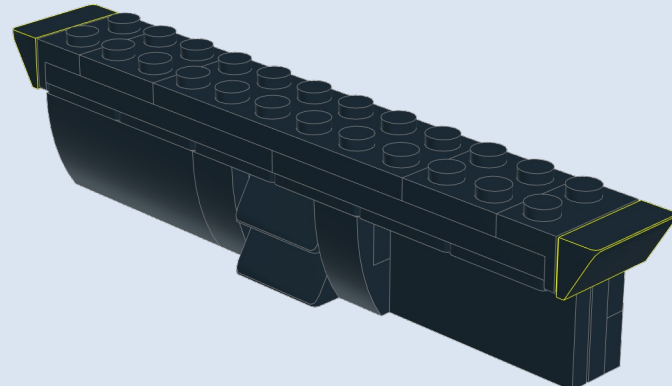
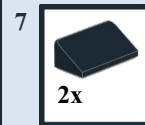
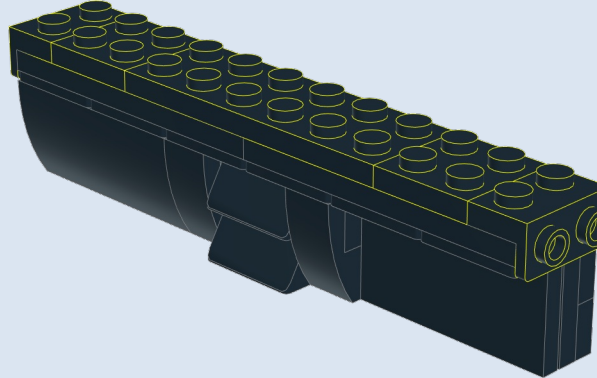
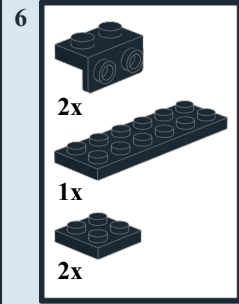
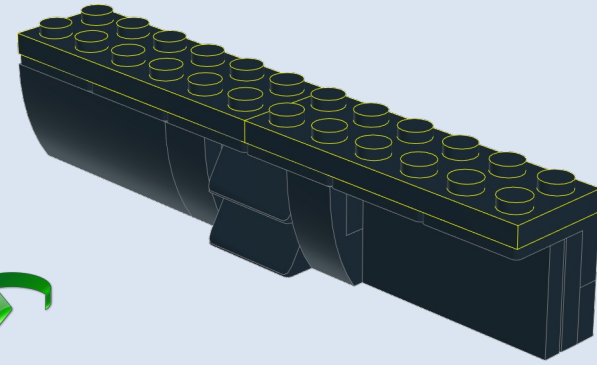
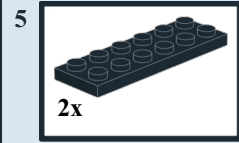
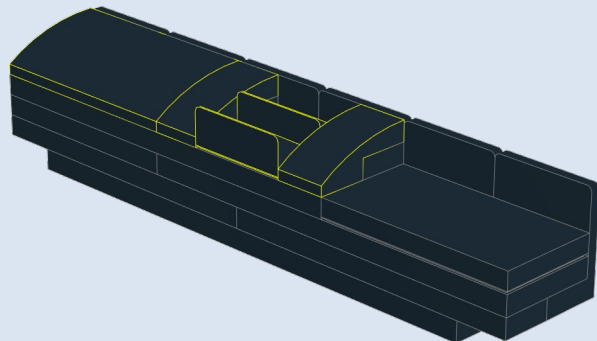
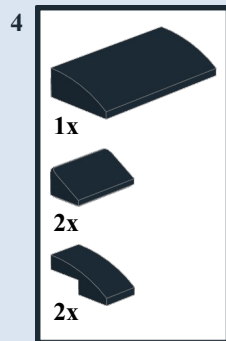
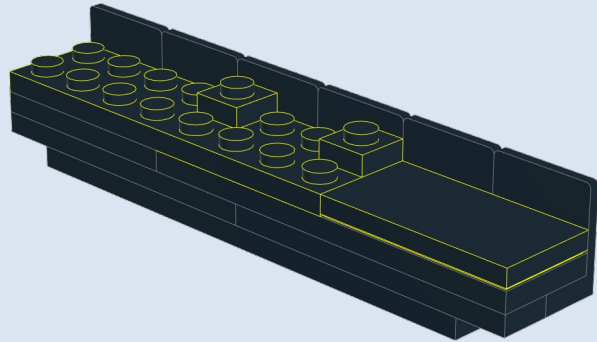
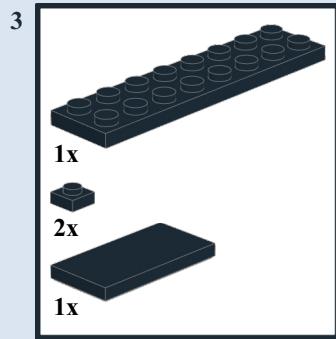
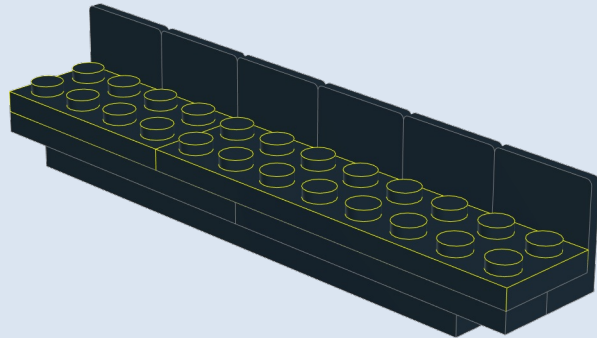
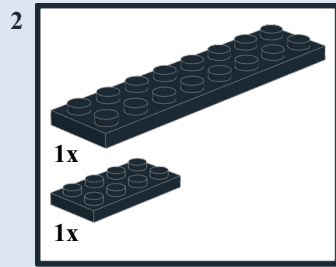
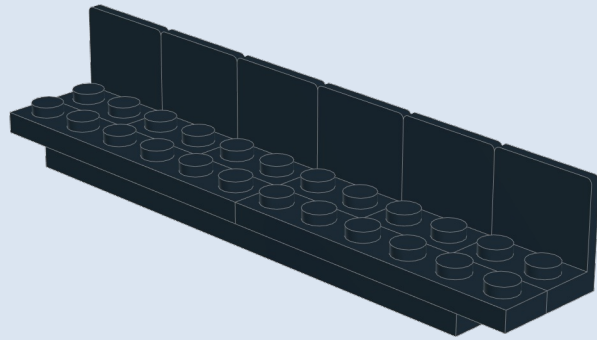
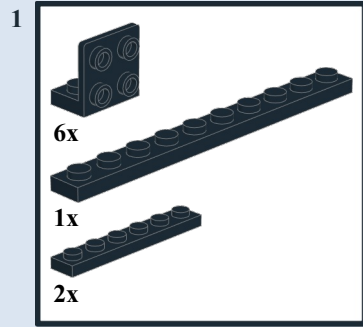


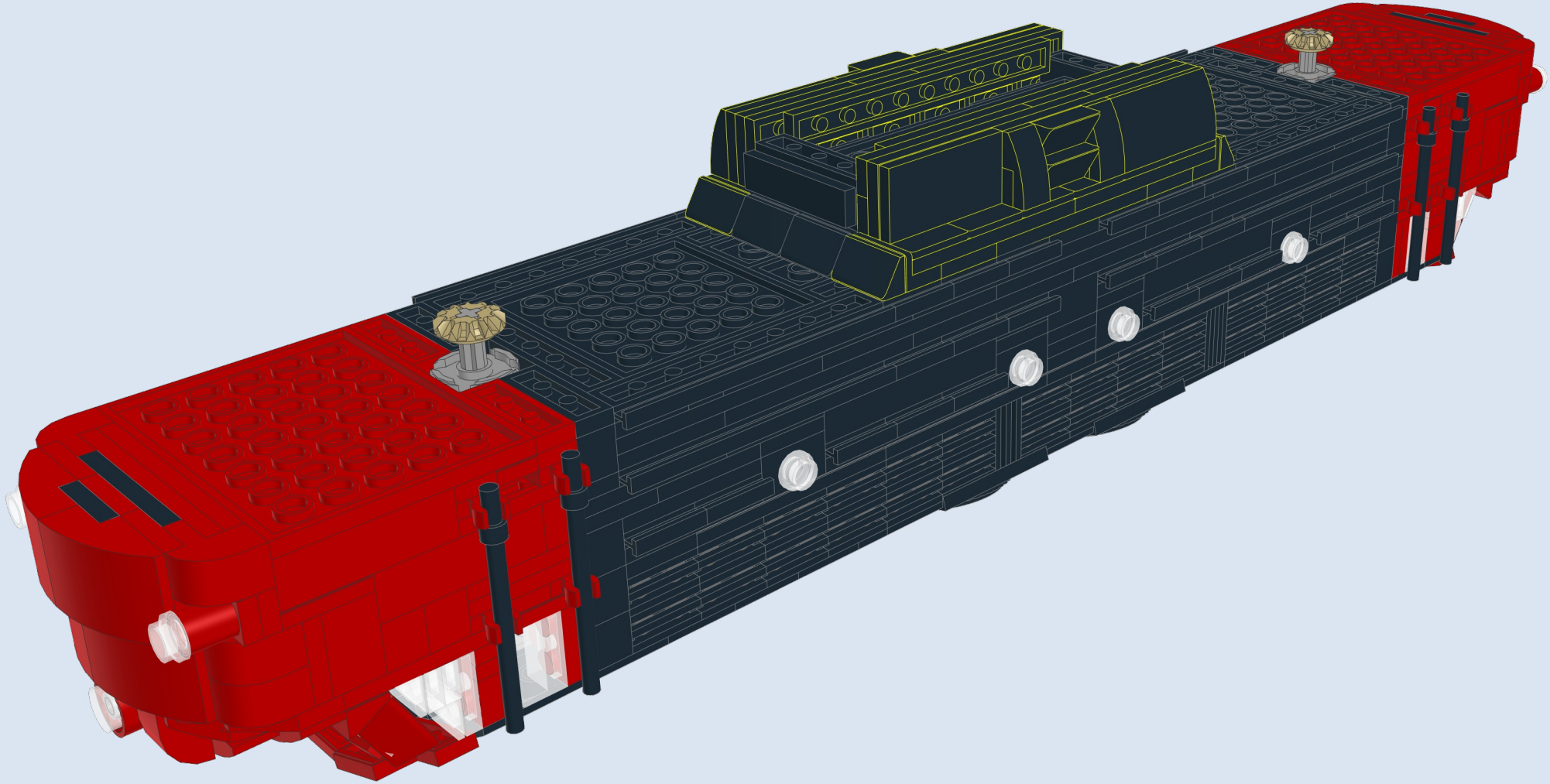


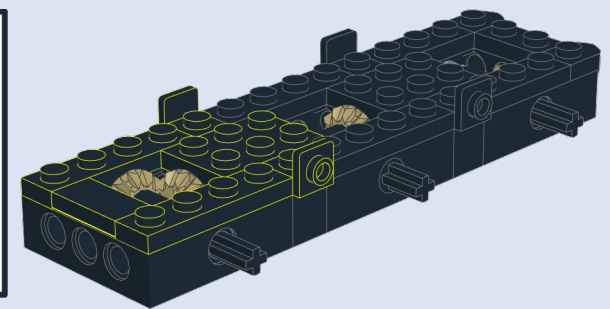
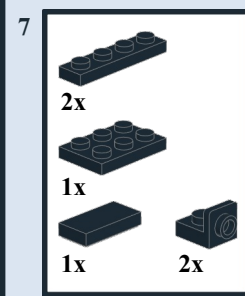
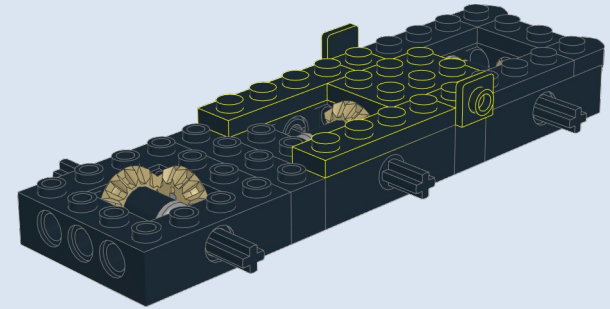
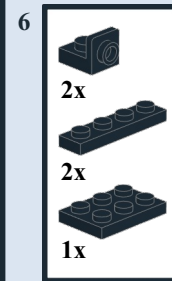
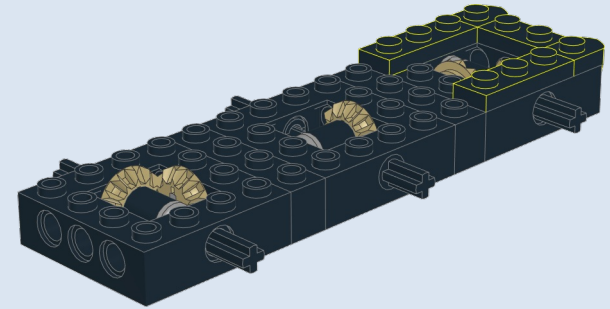
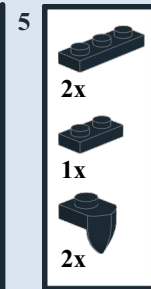
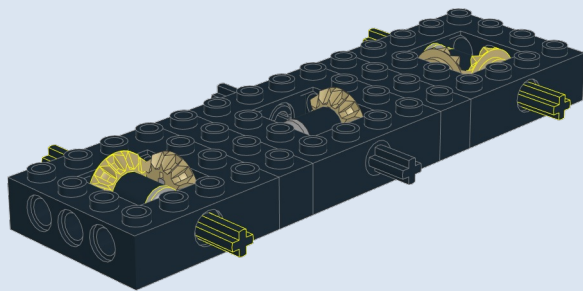
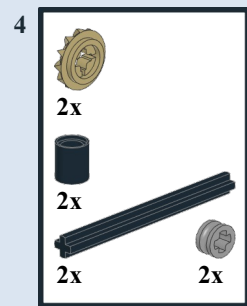
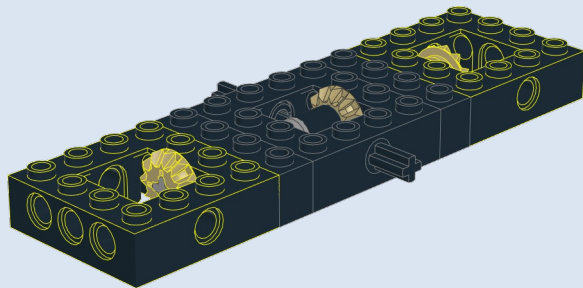
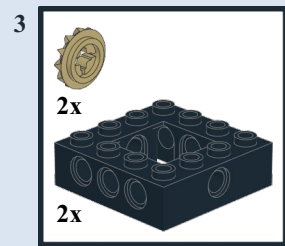
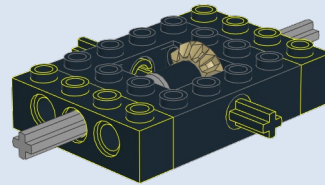
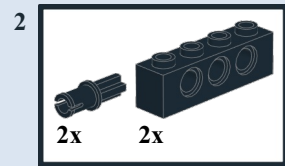
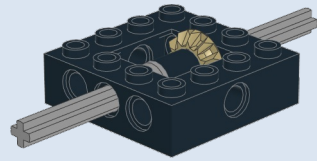
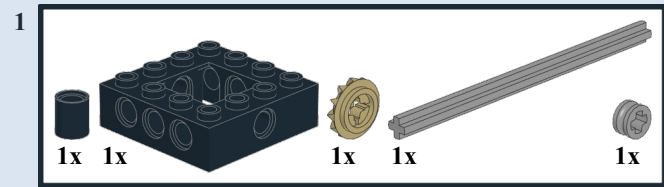




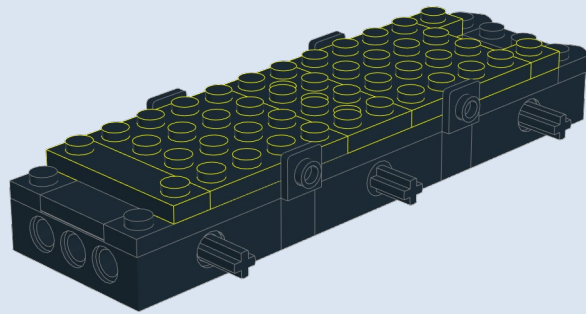
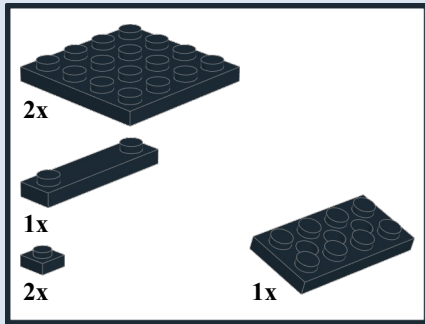




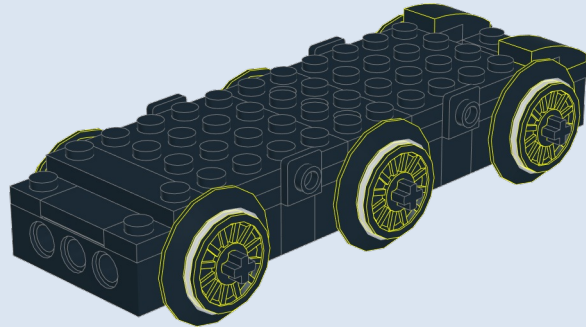




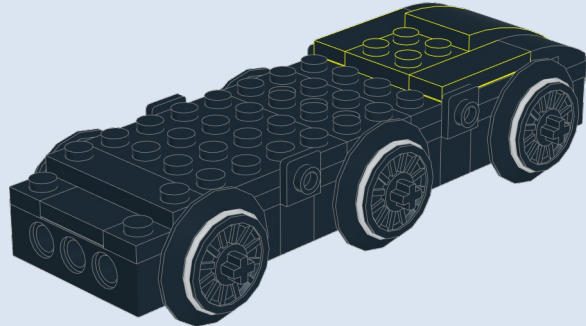
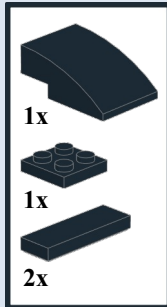
8



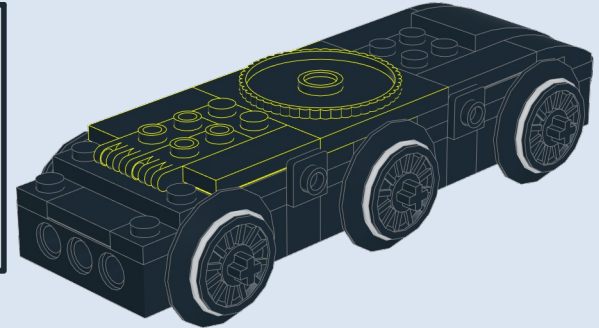
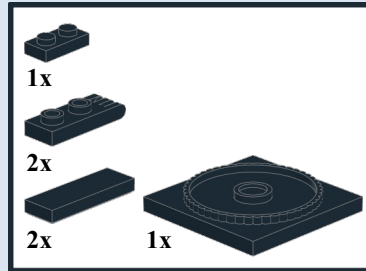
9



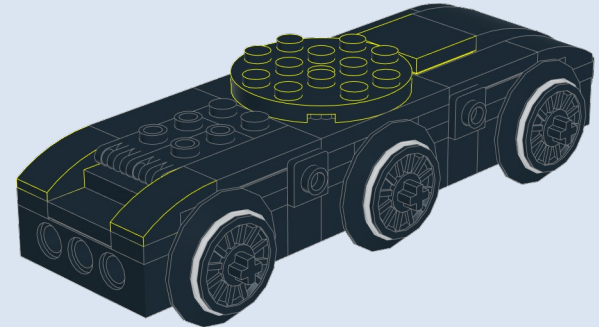
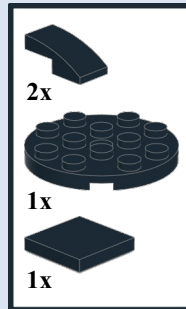
10

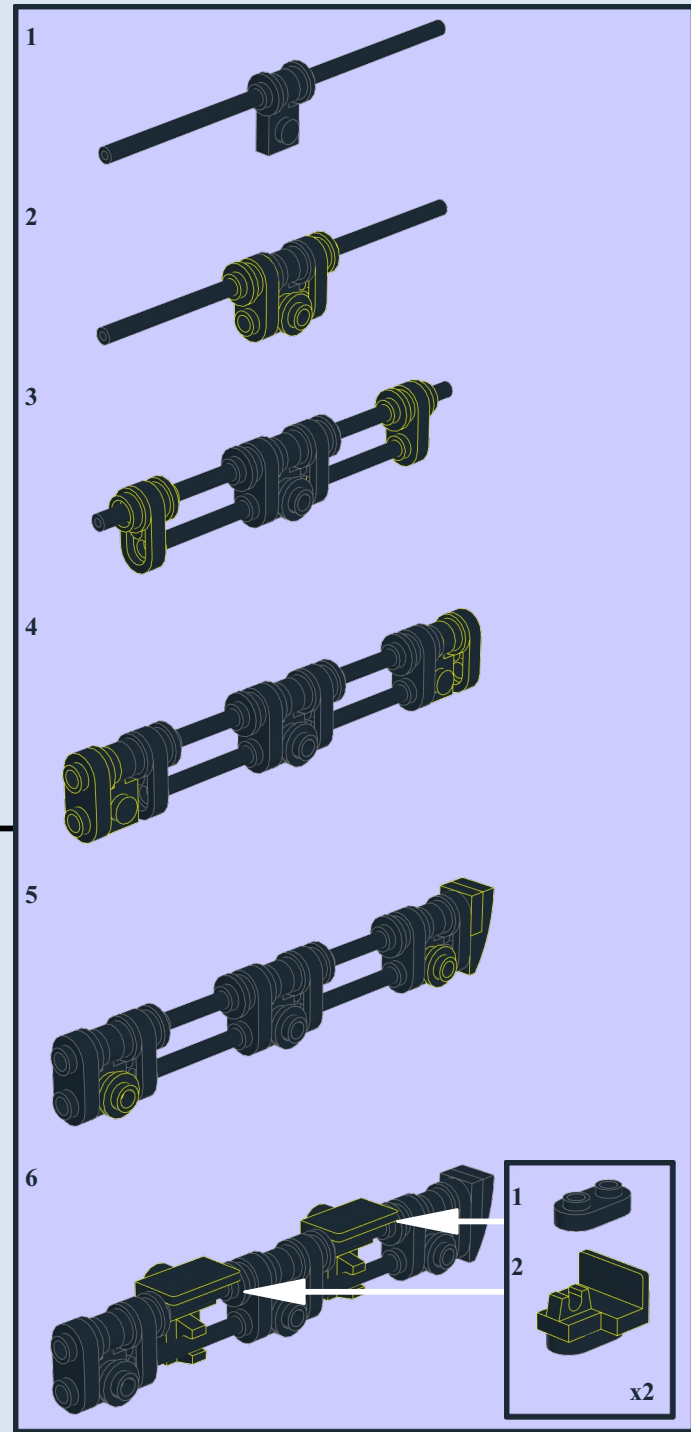
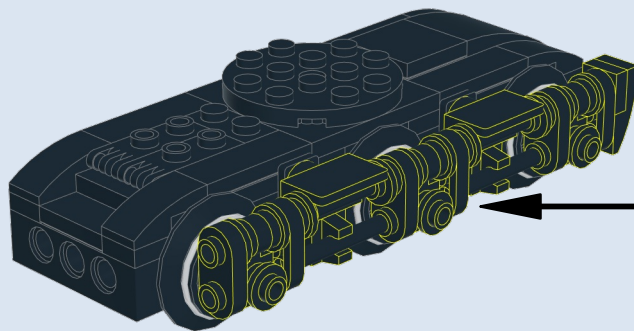
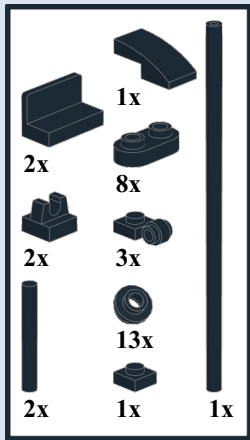


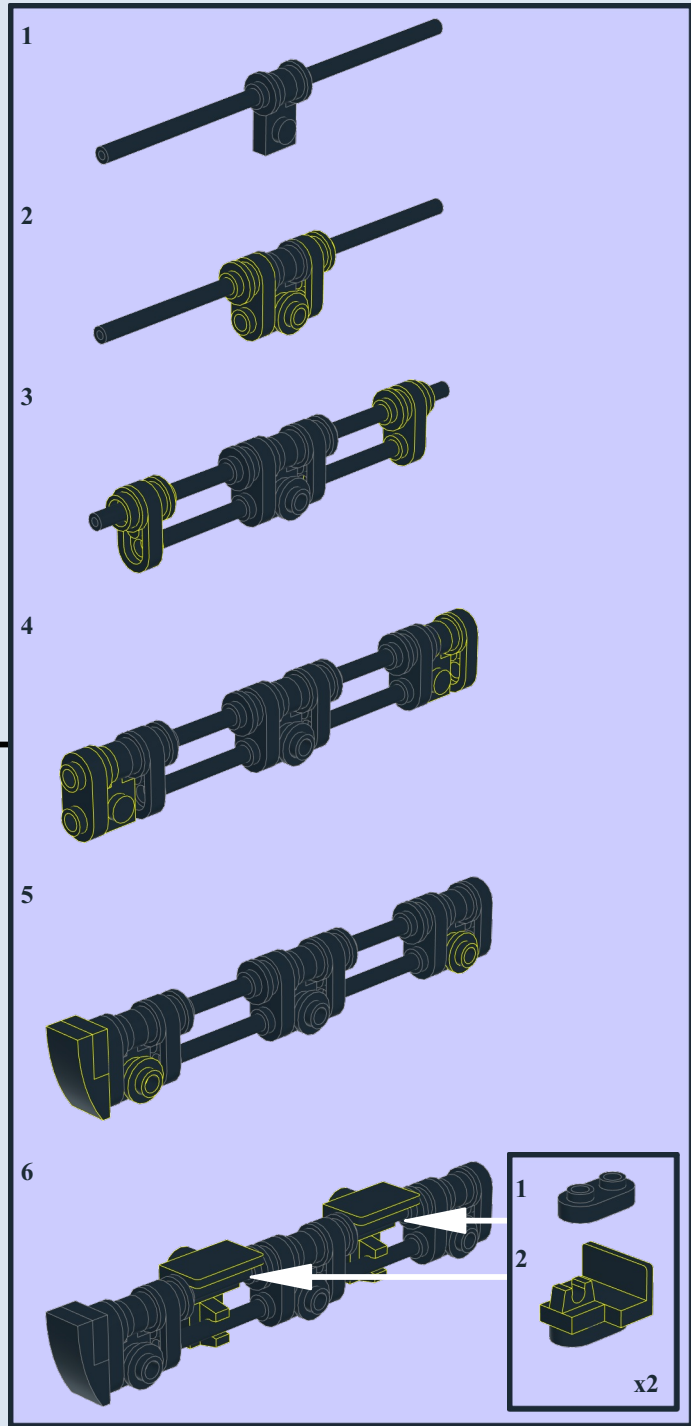
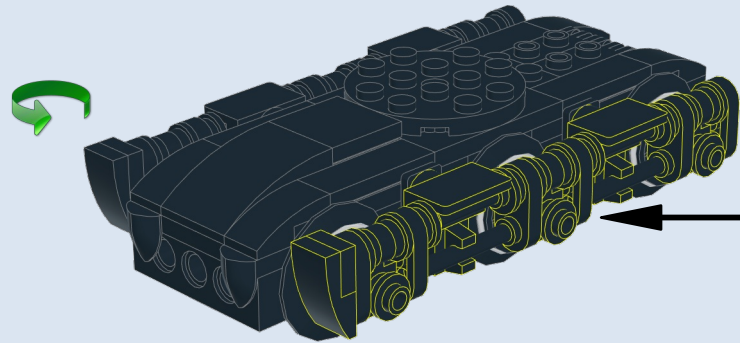
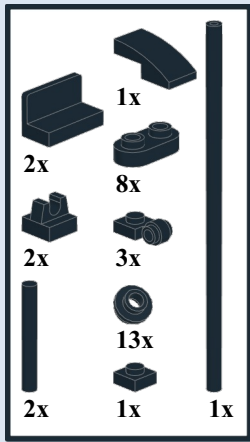
11

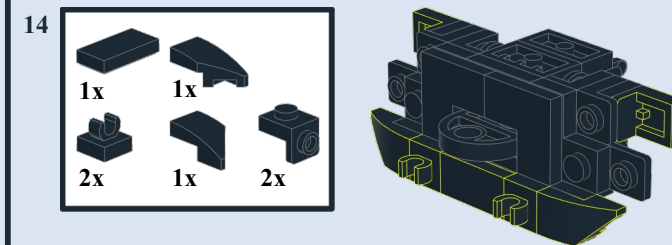
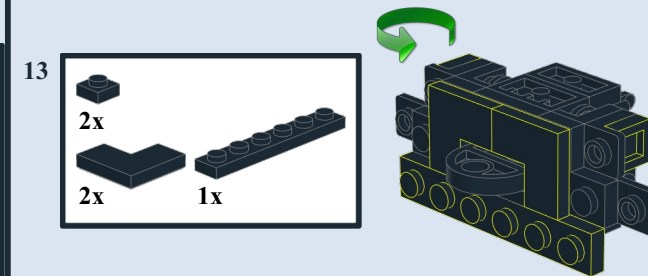
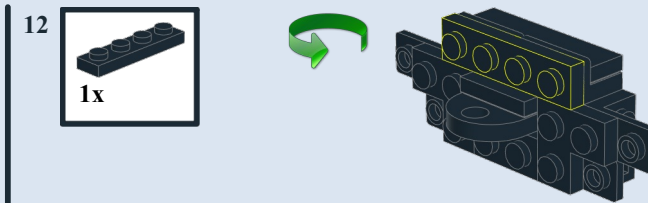
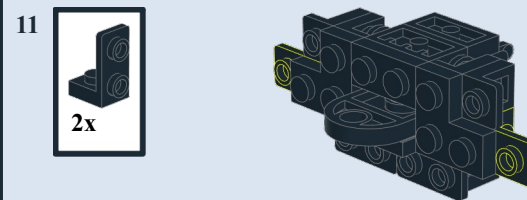
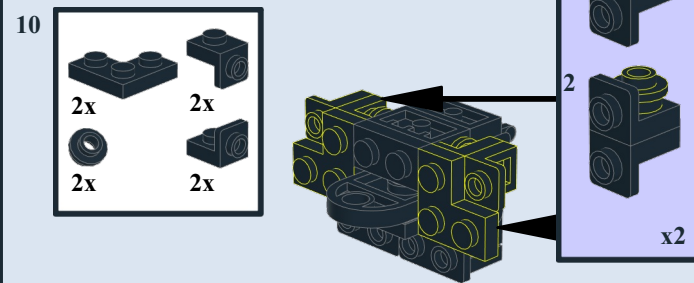
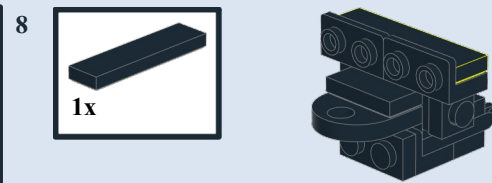
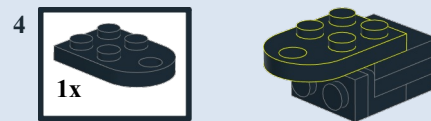


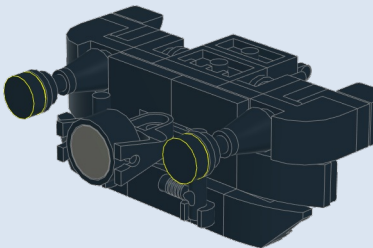
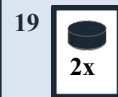
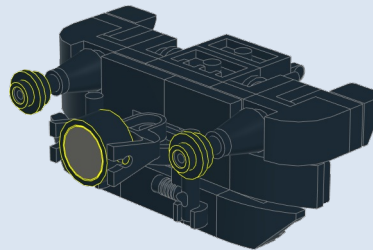
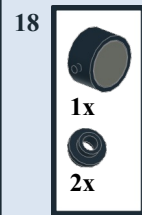
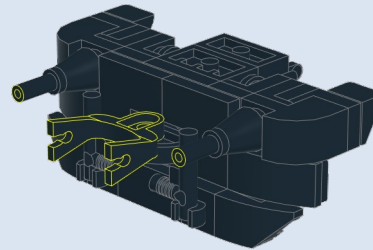
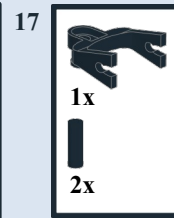
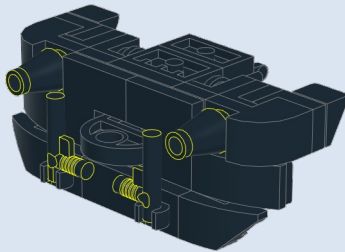
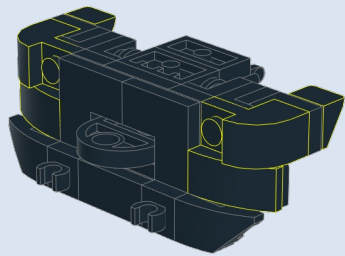
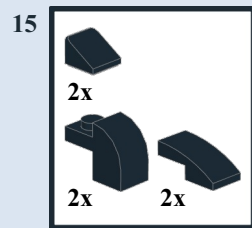
12



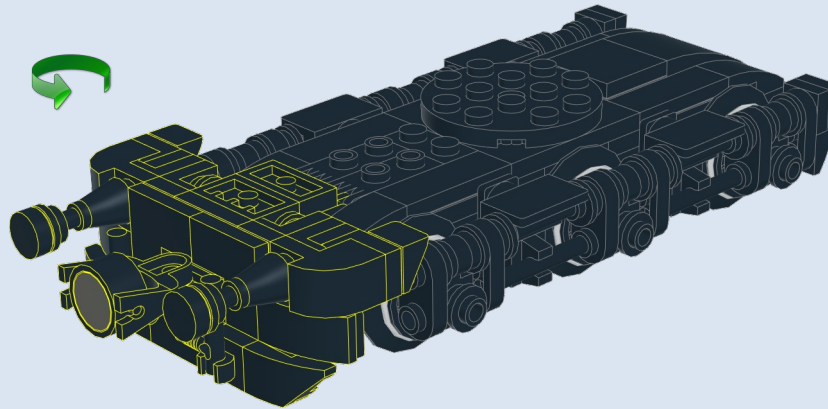








15



16

