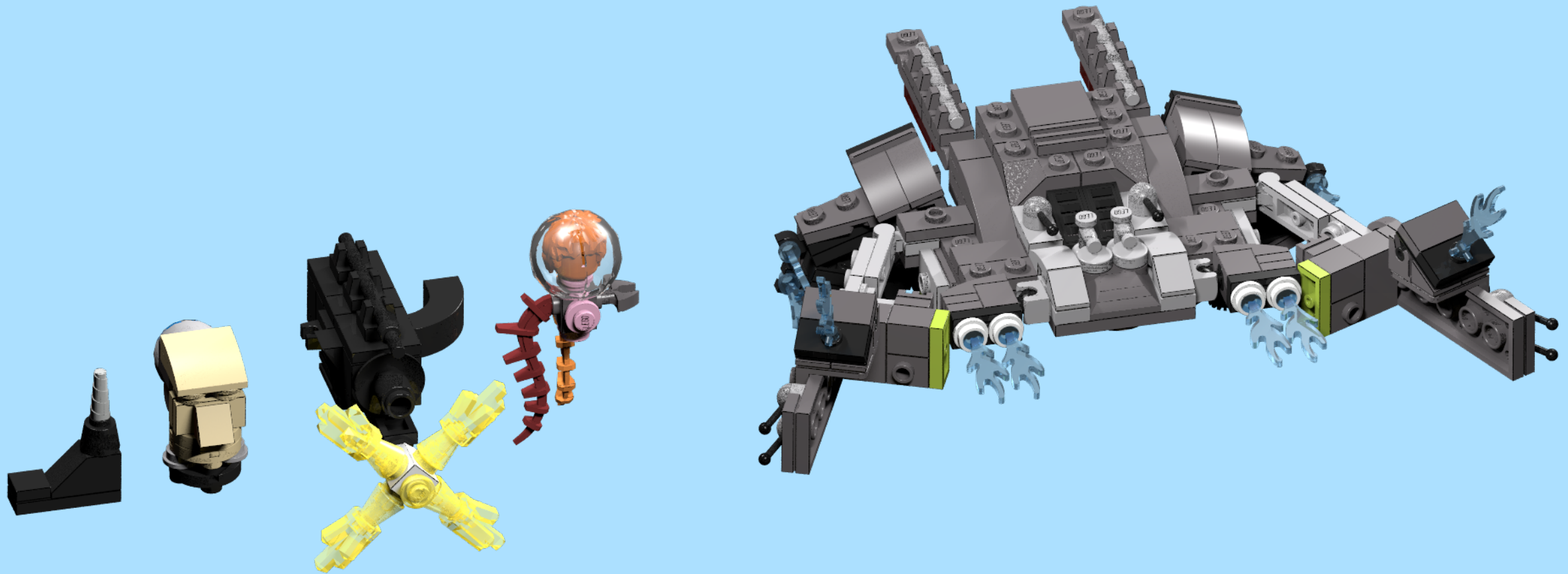
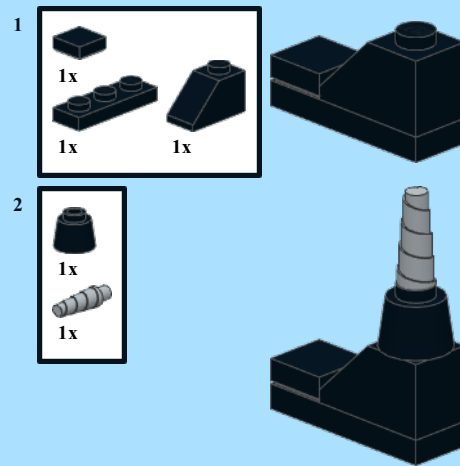


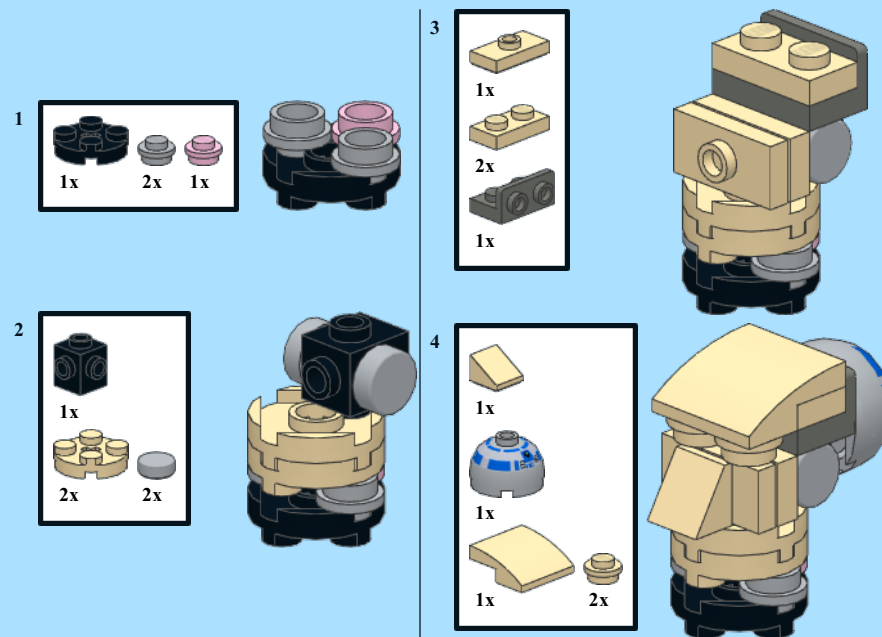
# Extra Parts

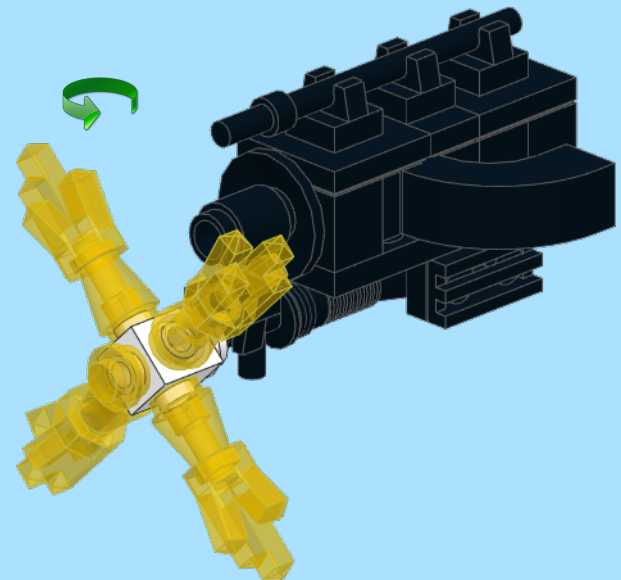
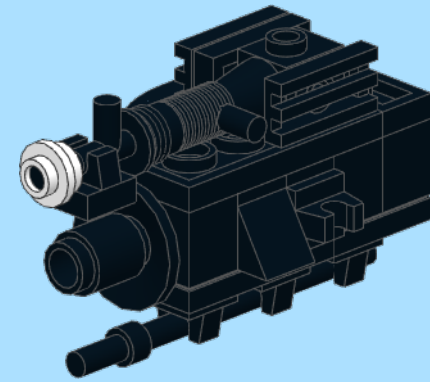
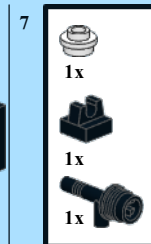
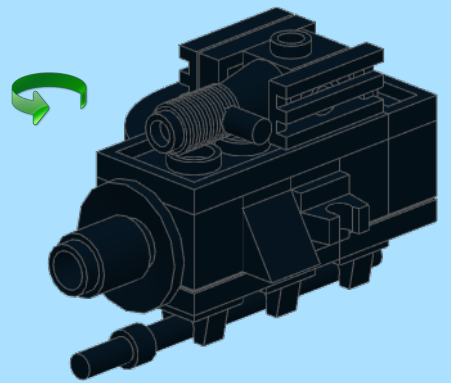
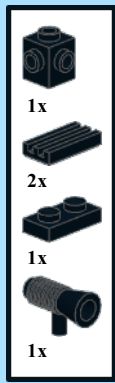
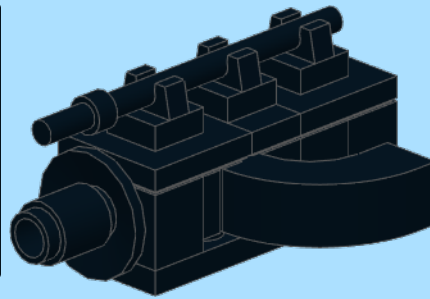
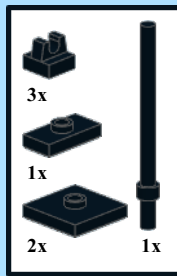
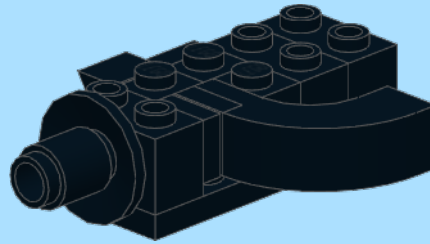
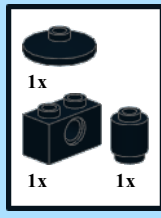
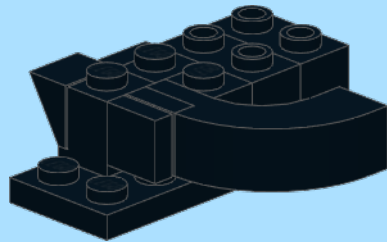
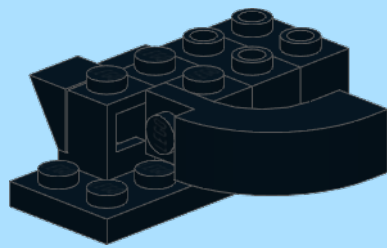
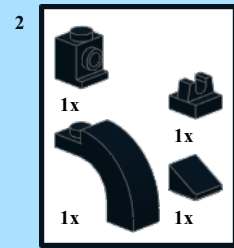
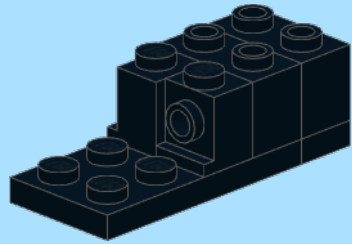
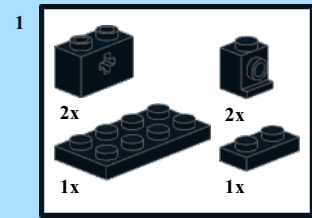


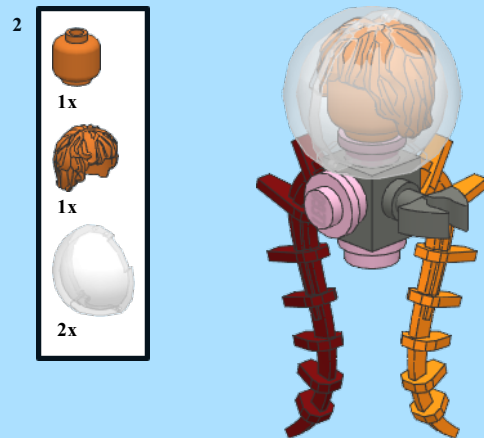
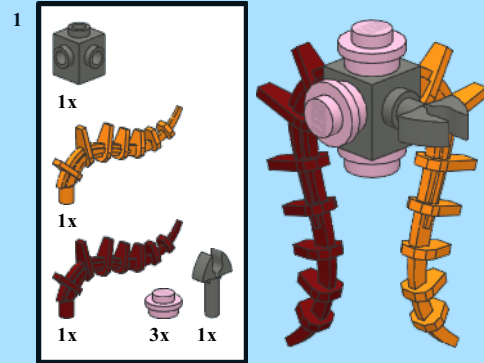
Designed By  
Marin Stipkovic

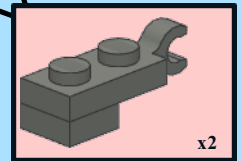
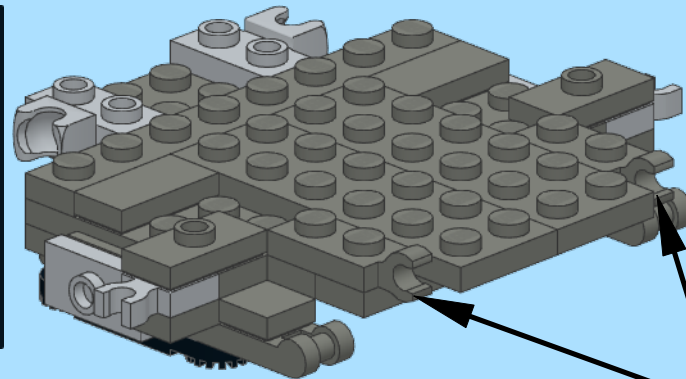
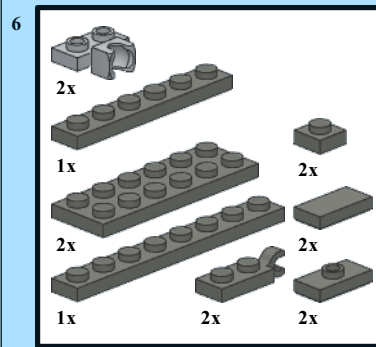
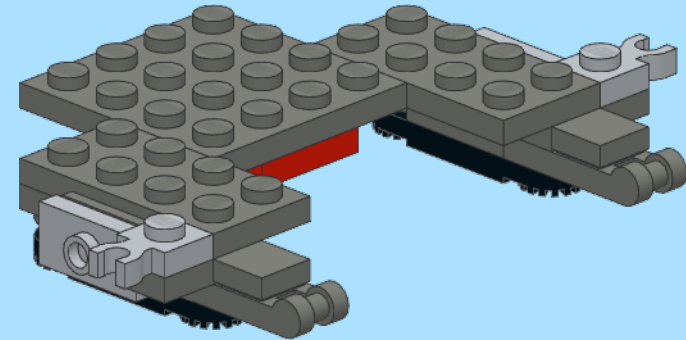
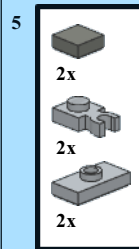
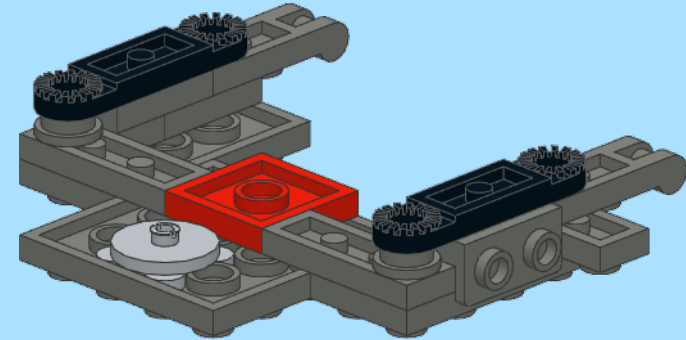
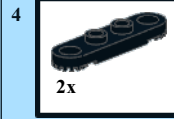
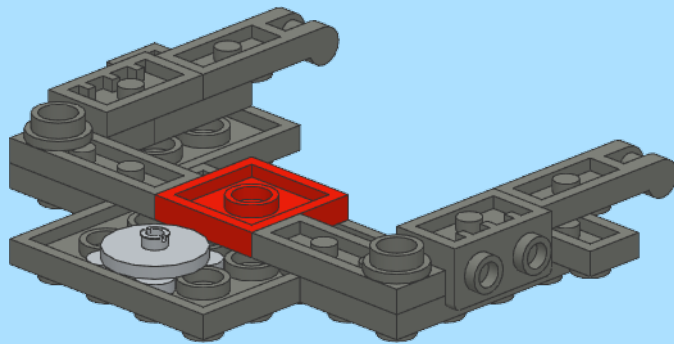
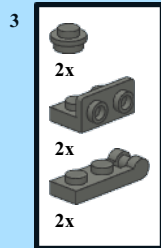
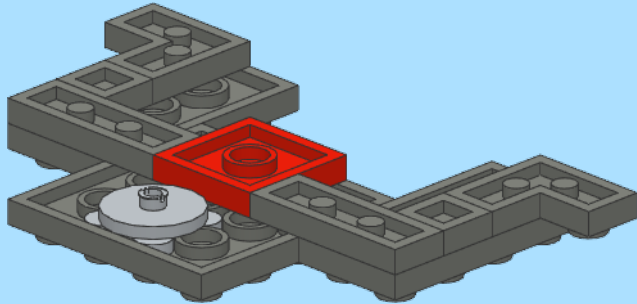
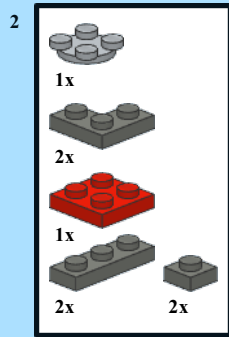
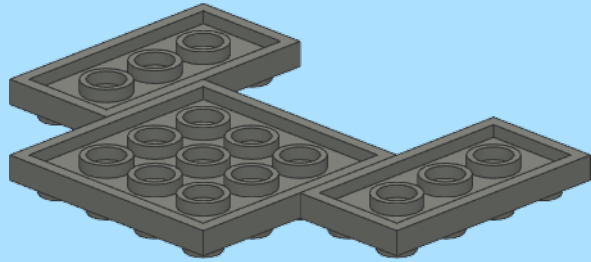
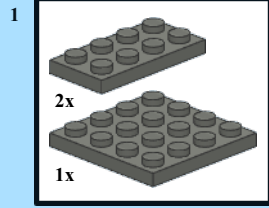
INSTRUCTION BY  
**KNUD ALBRECHTSEN**  
[www.snakebyte.dk/lego](http://www.snakebyte.dk/lego)





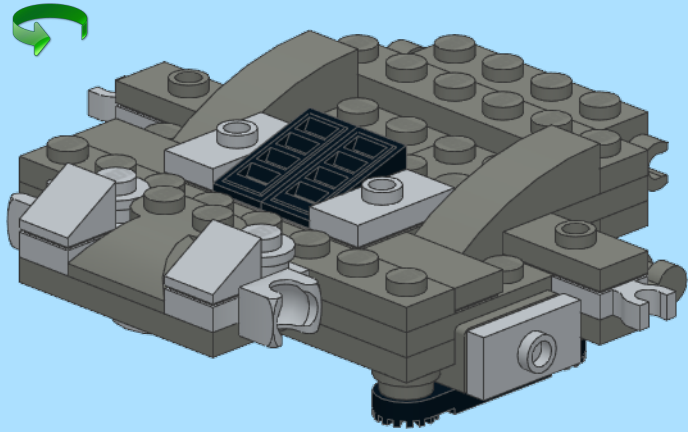
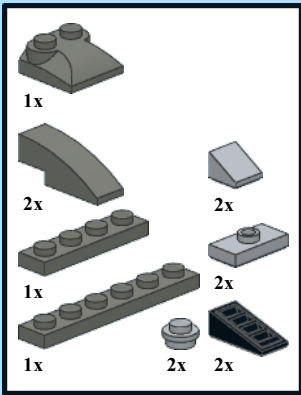




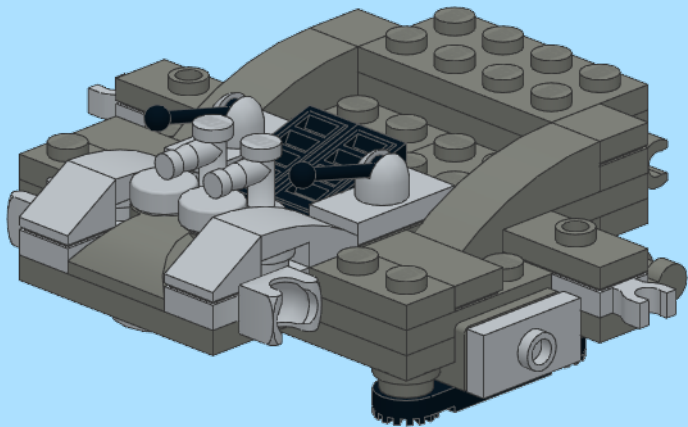
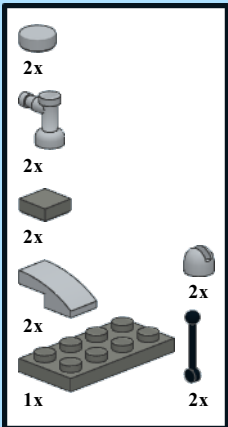




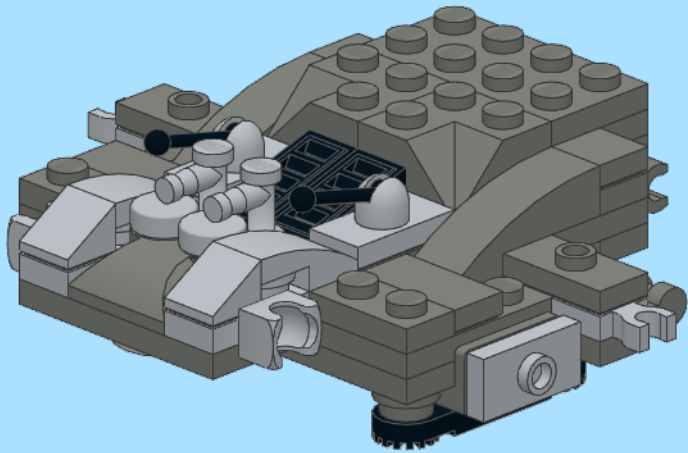
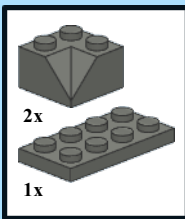
7



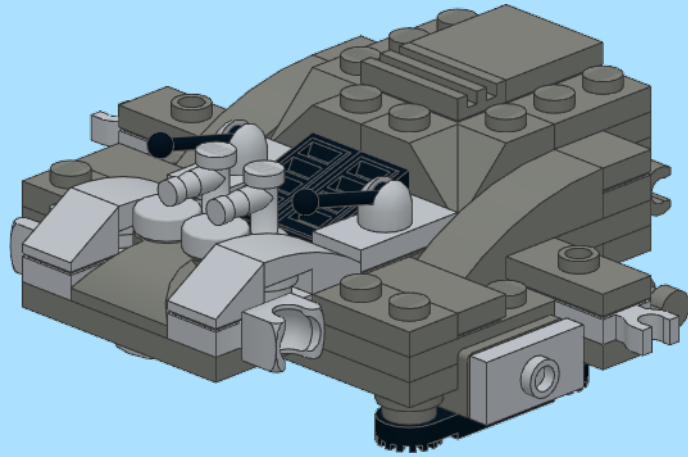
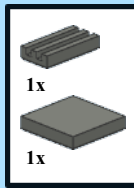
8



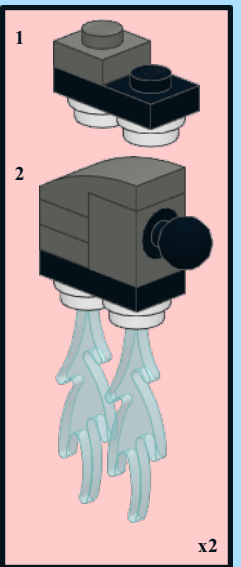
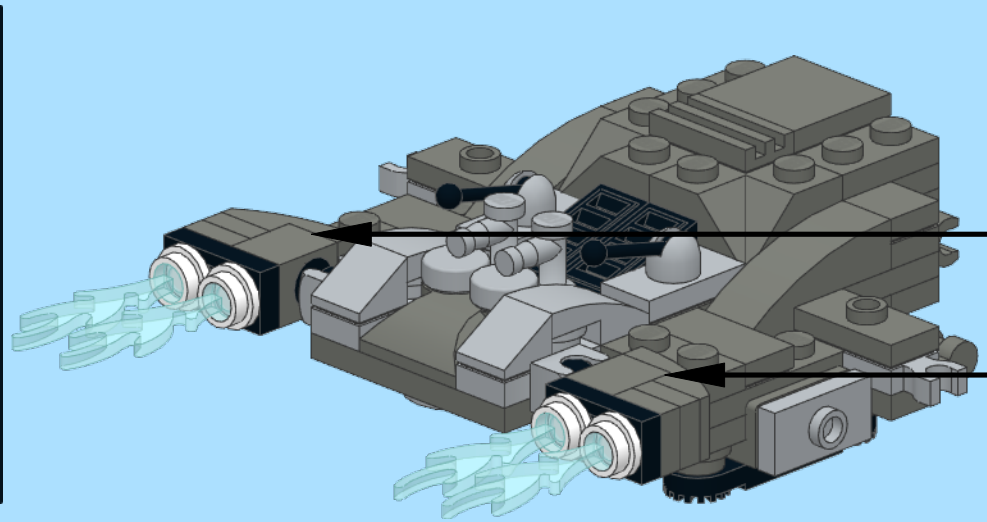
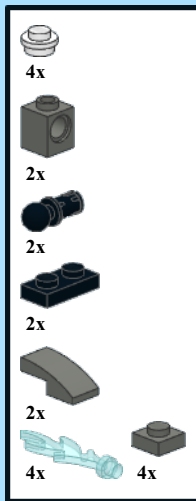
9

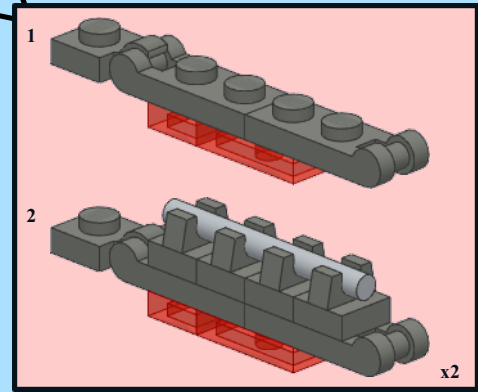
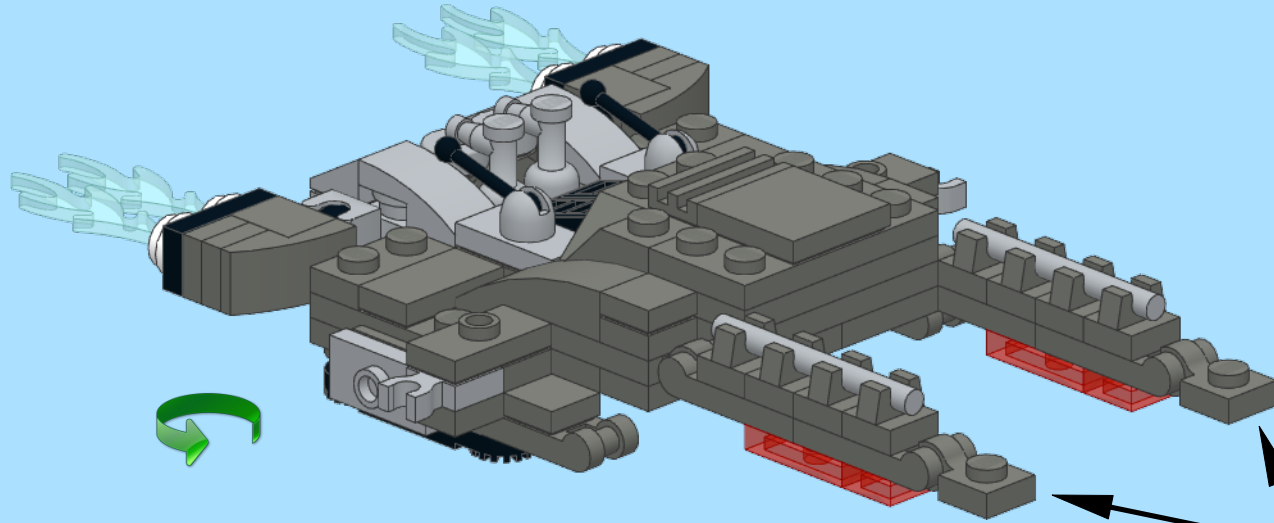
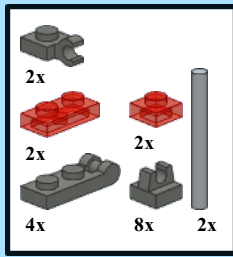


10

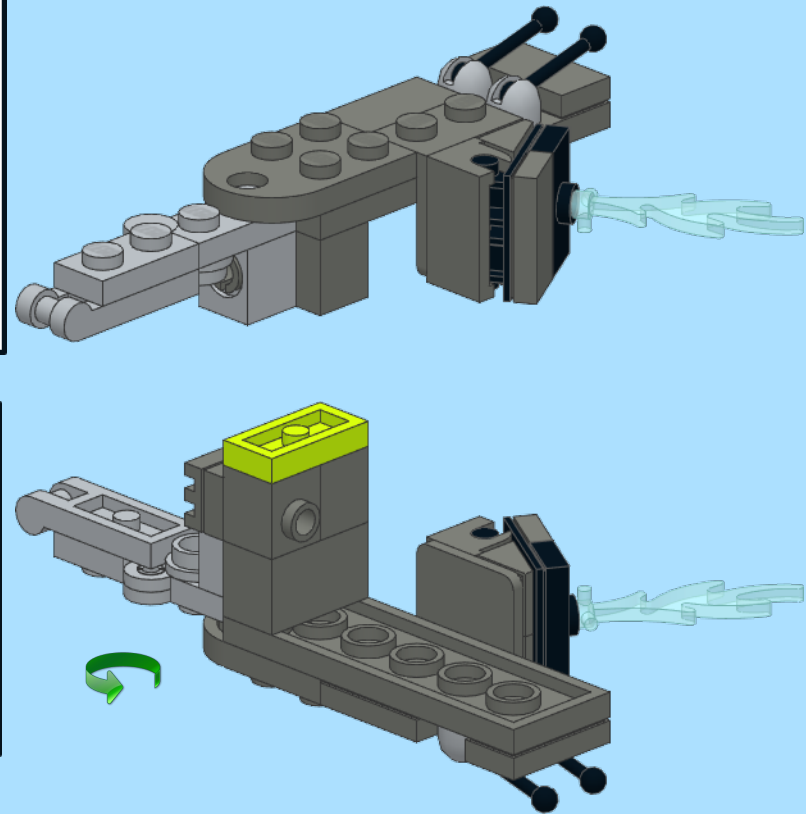
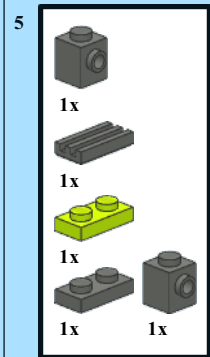
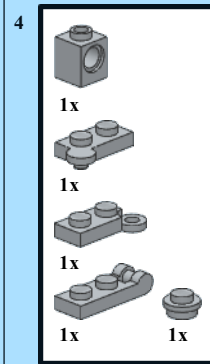
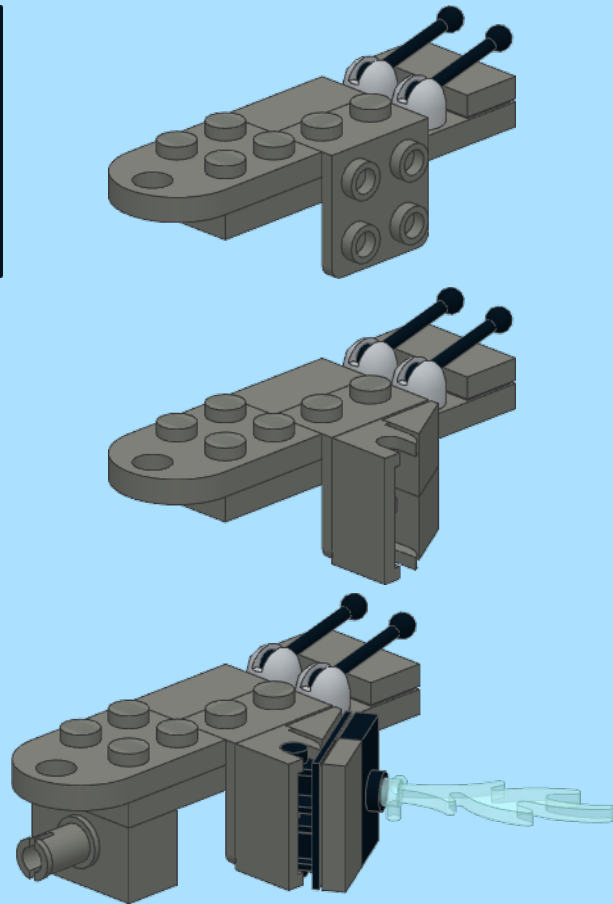
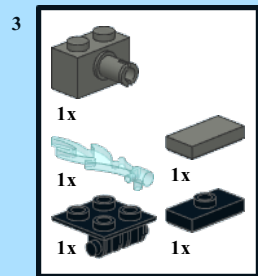
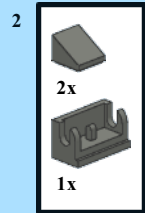
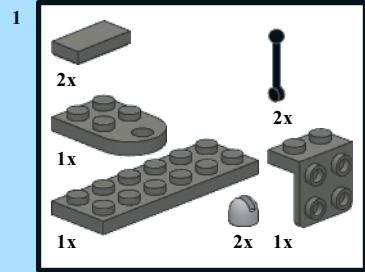


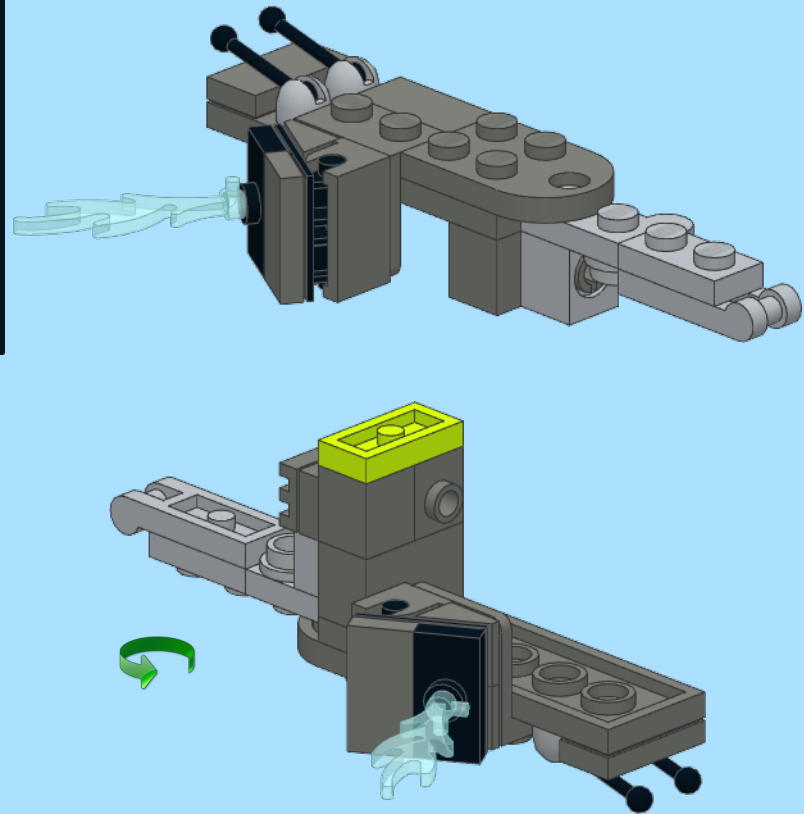
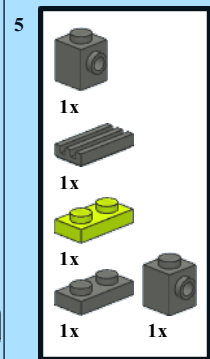
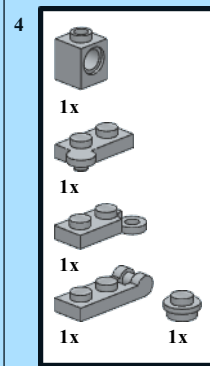
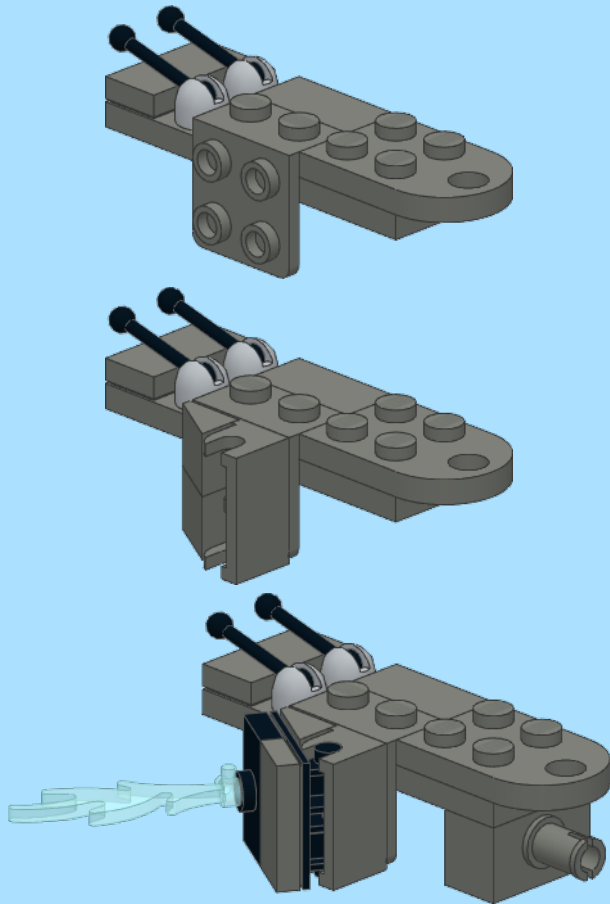
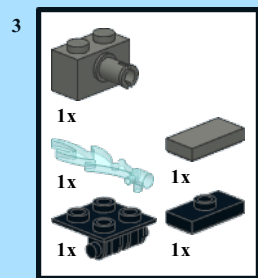
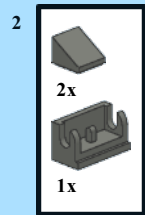
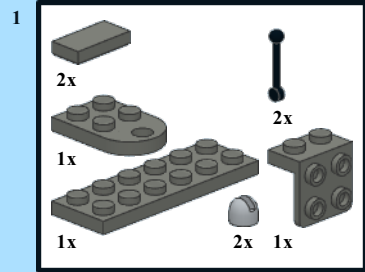
11

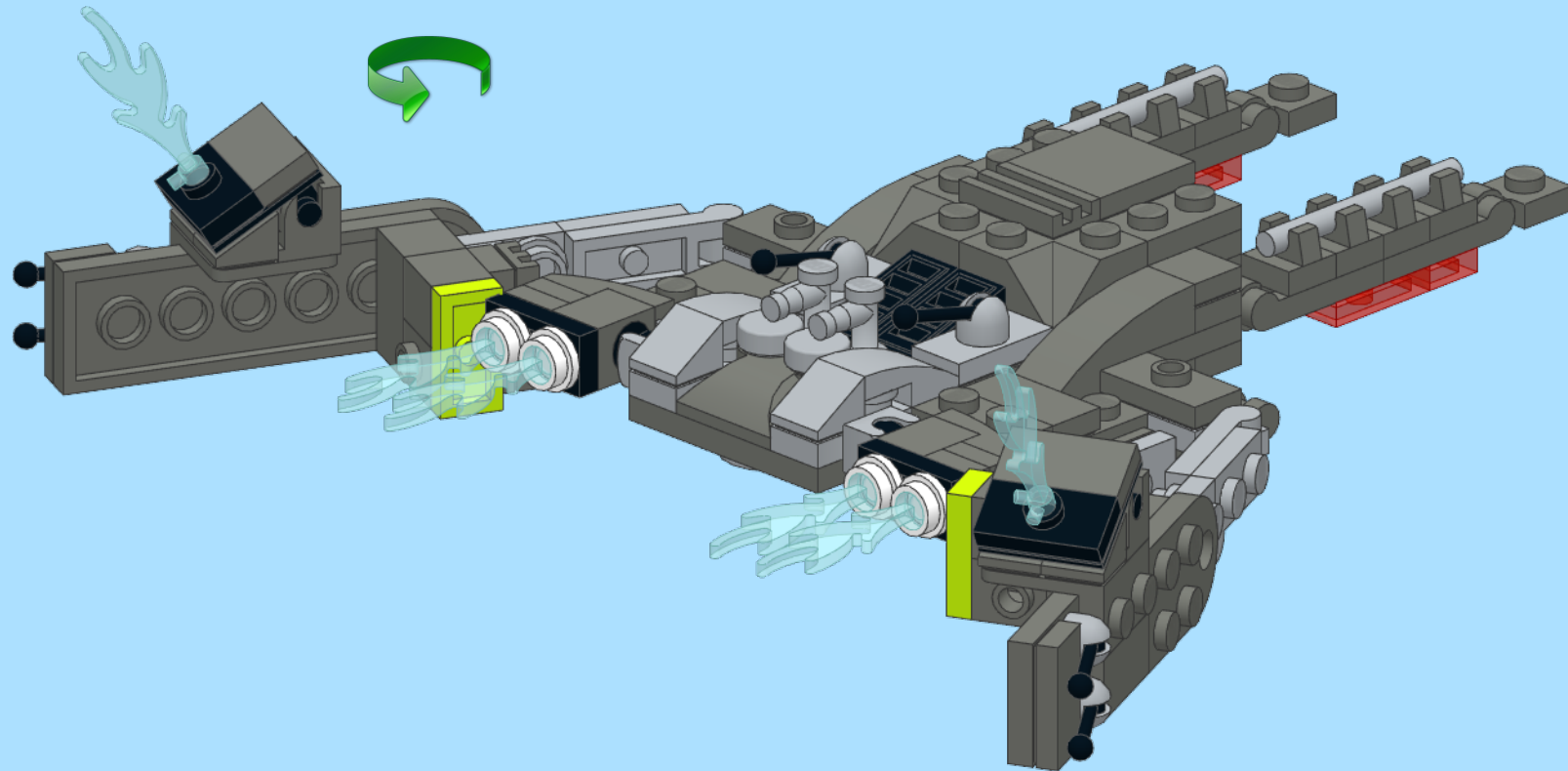


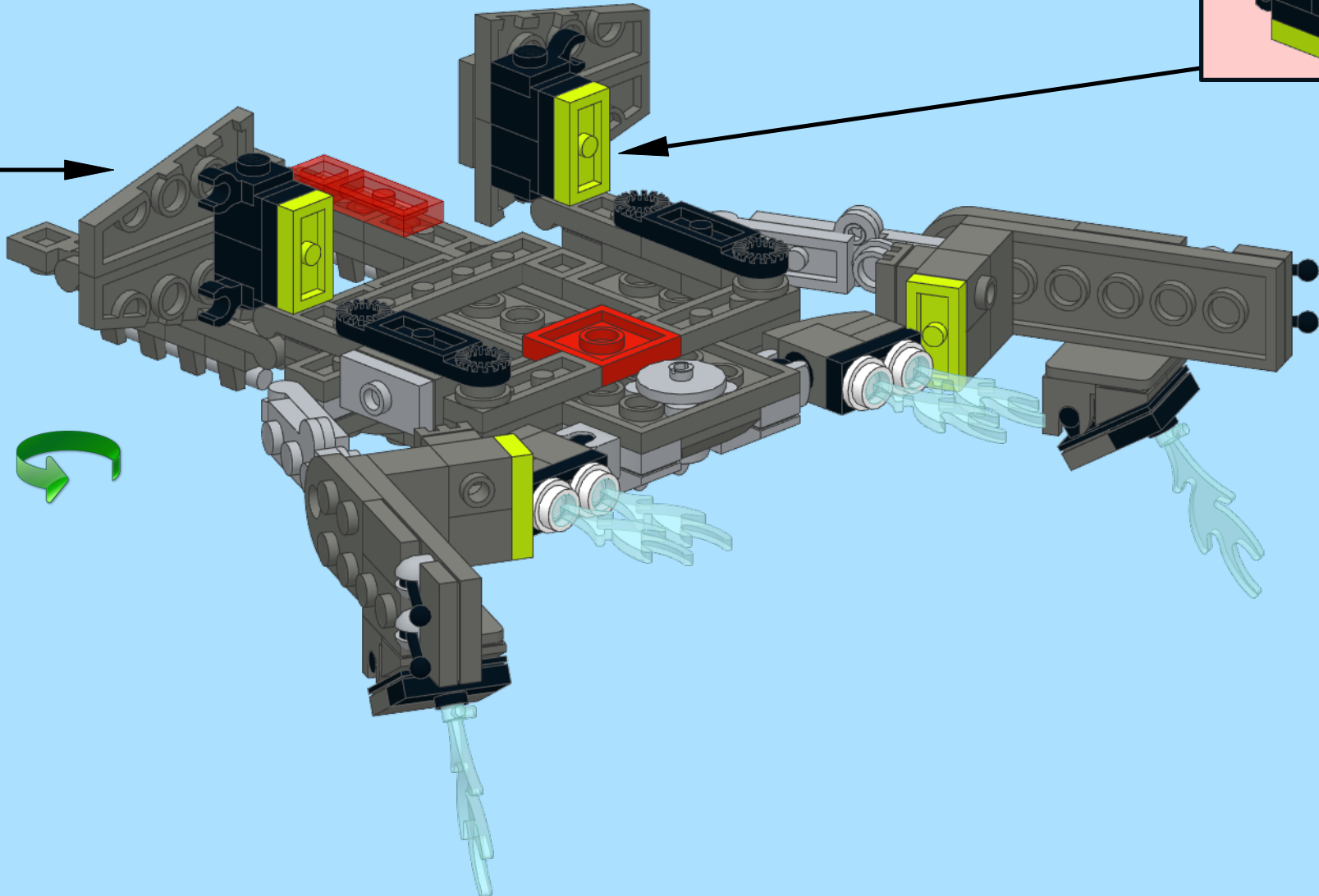
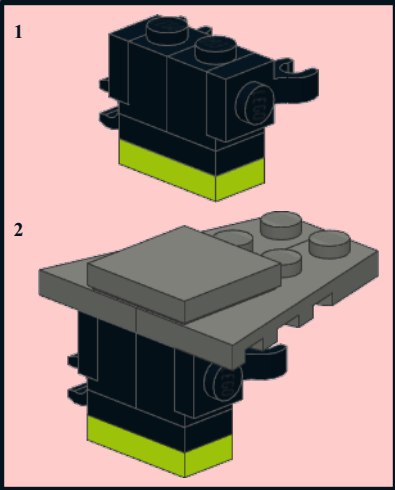
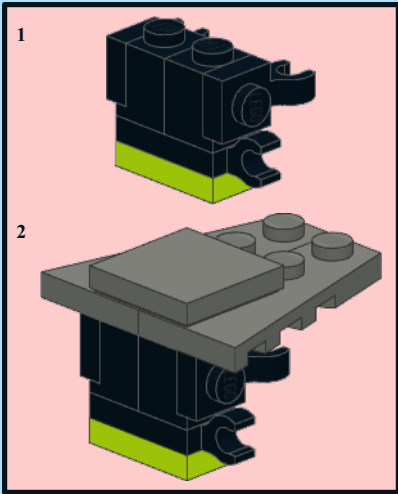
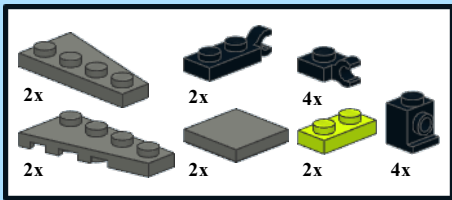


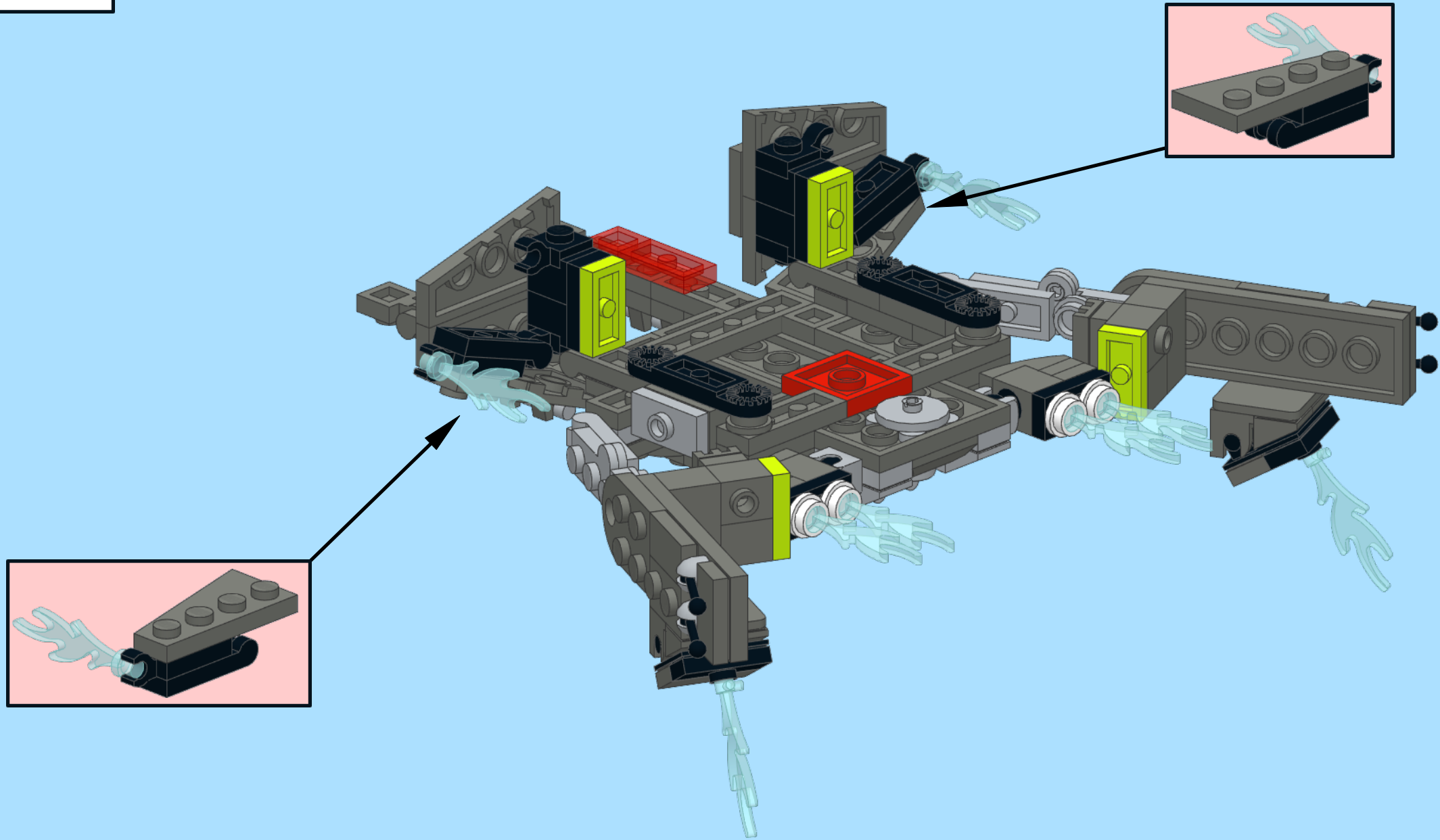
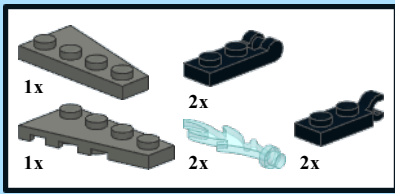


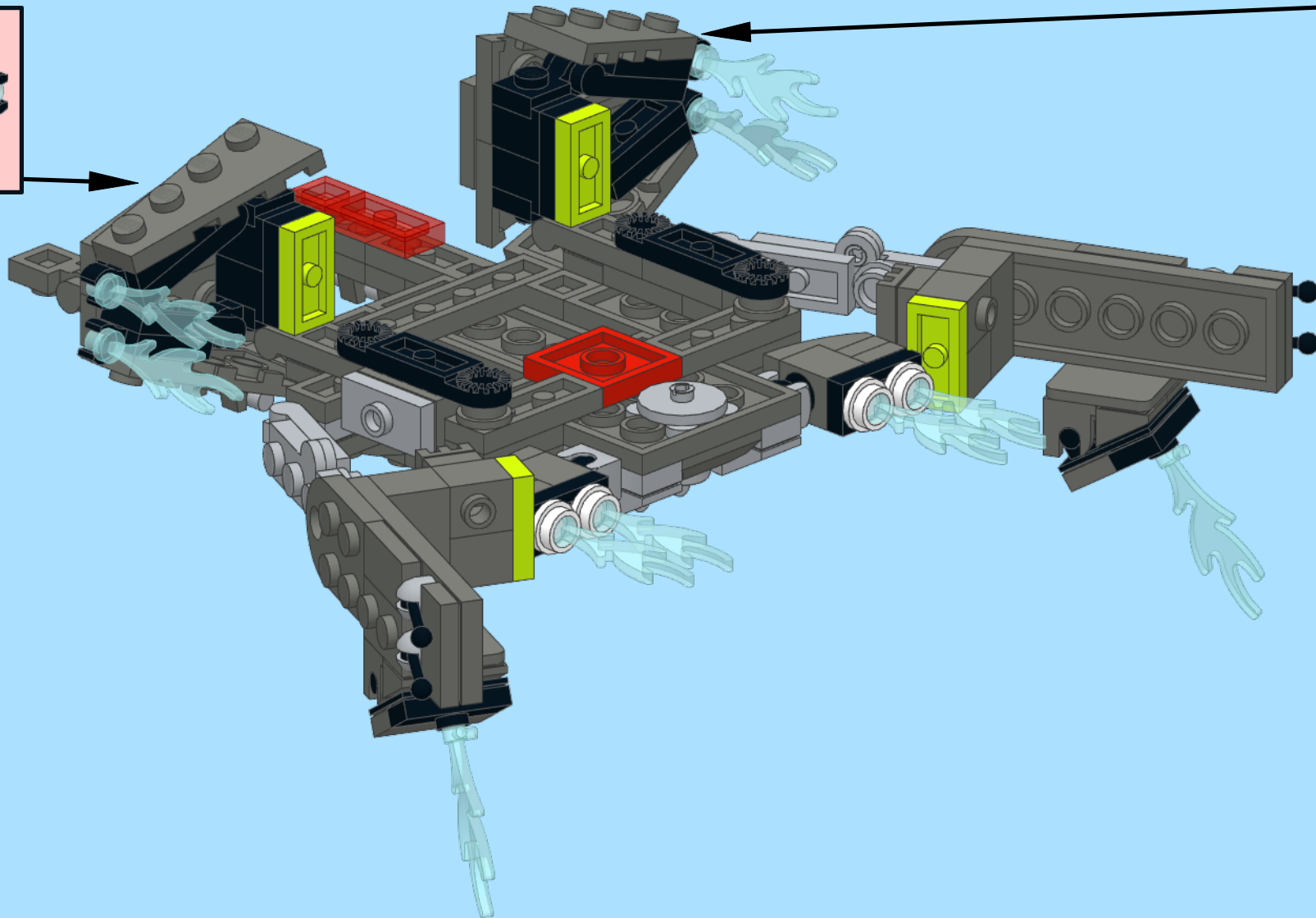
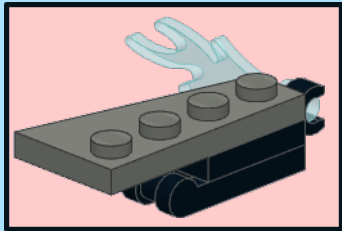
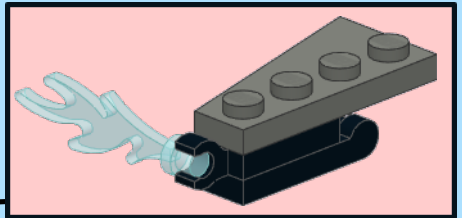
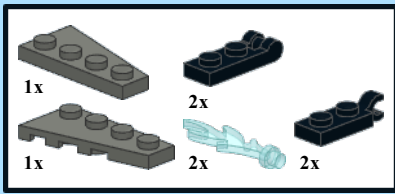














- 2x
- 2x
- 4x
- 2x

