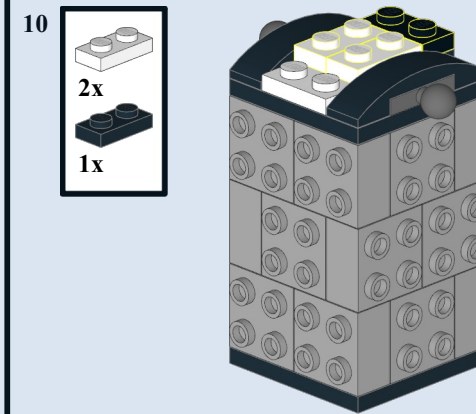
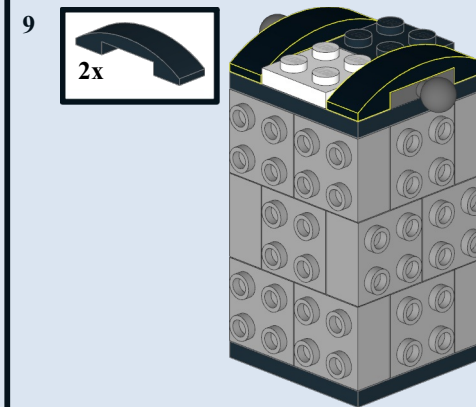
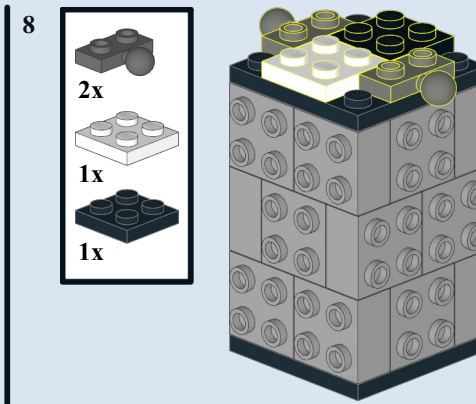
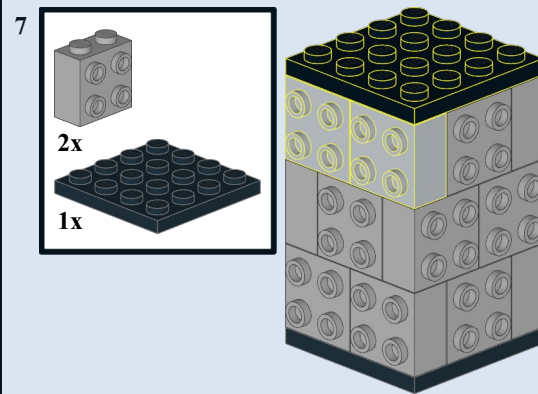
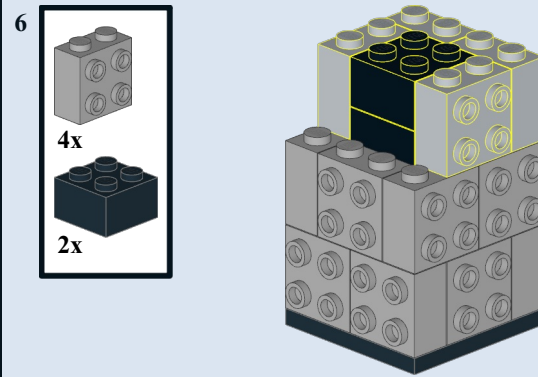
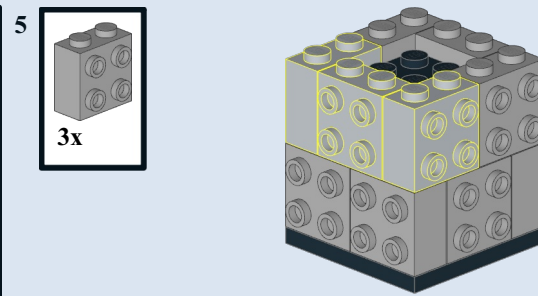
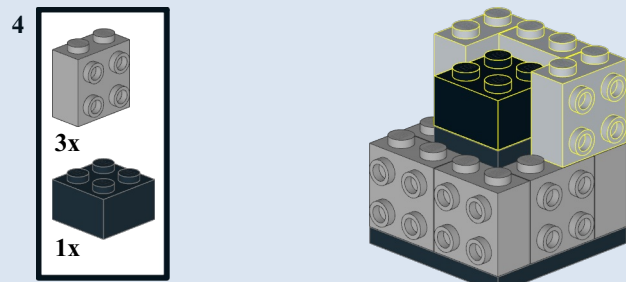
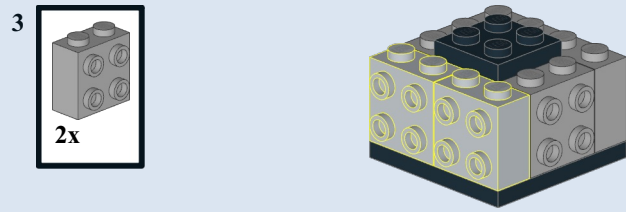
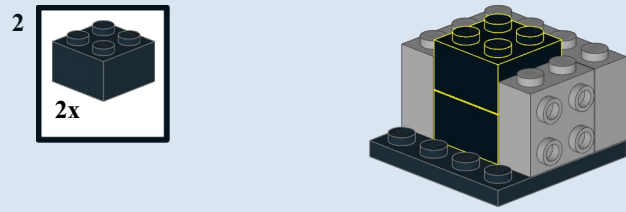
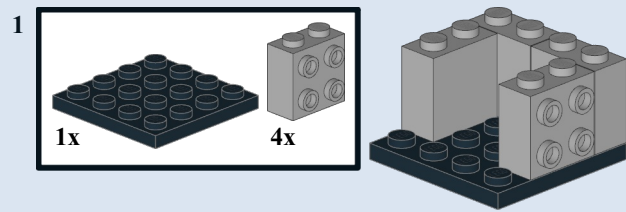


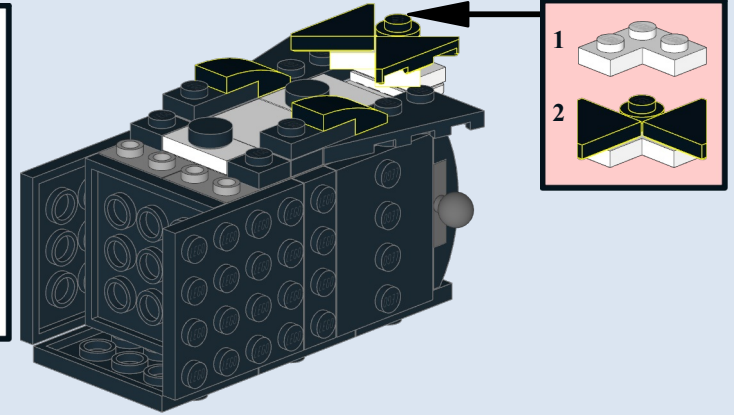
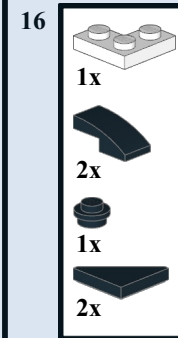
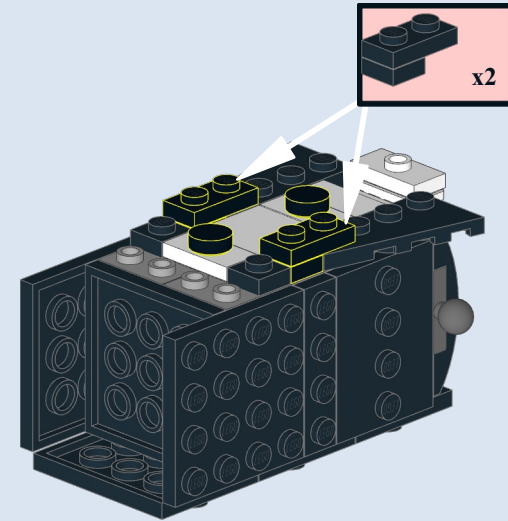
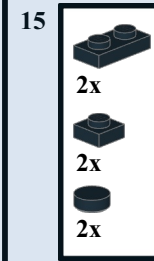
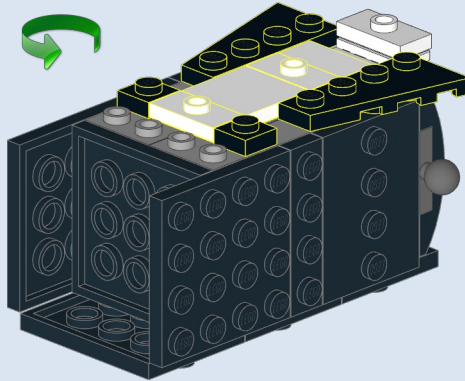
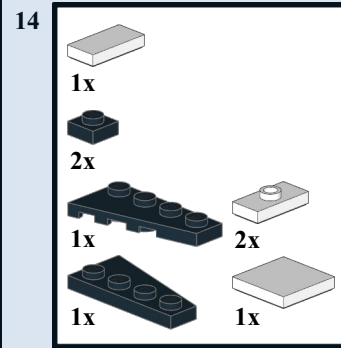
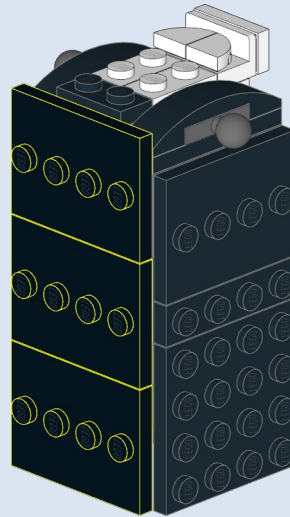
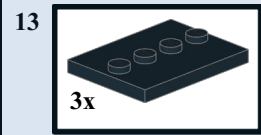
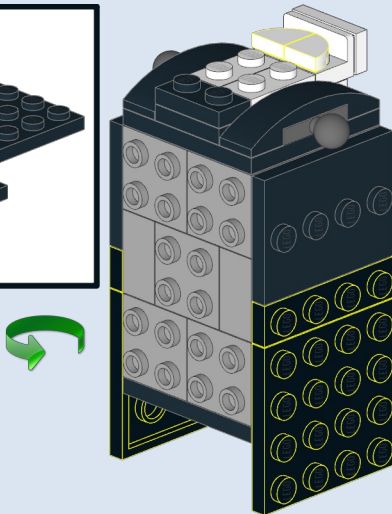
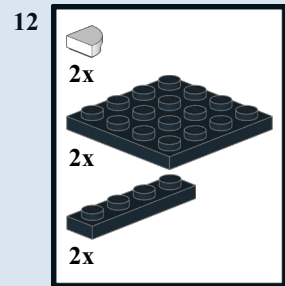
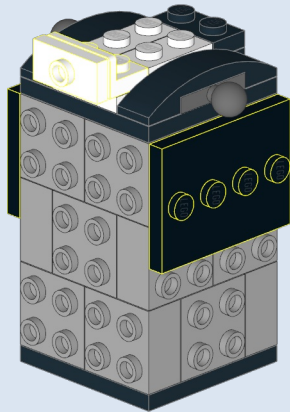
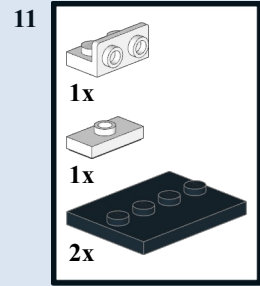
Bent Fabricius

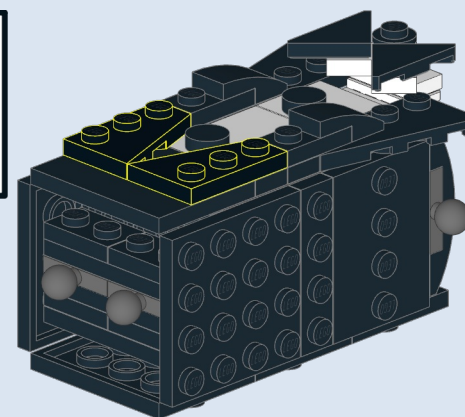
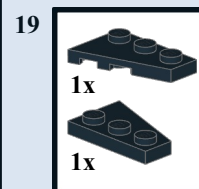
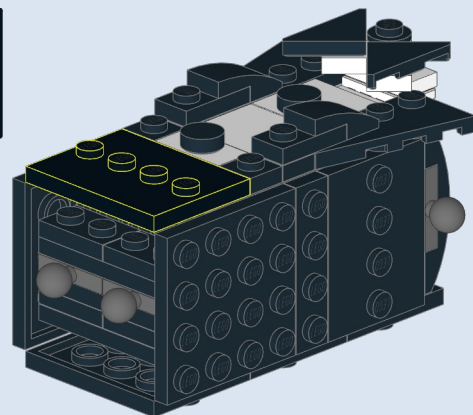
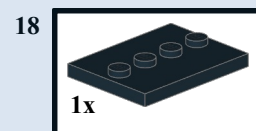
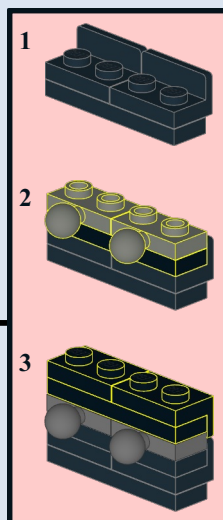
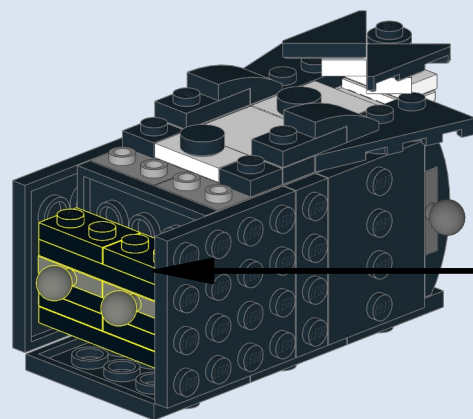
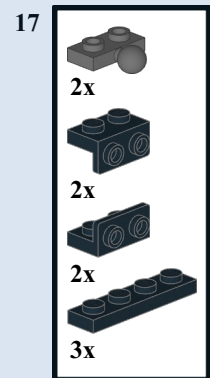


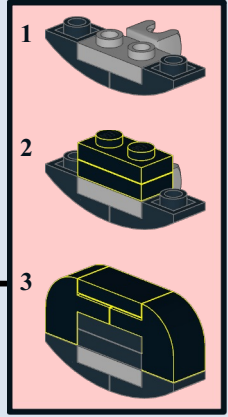
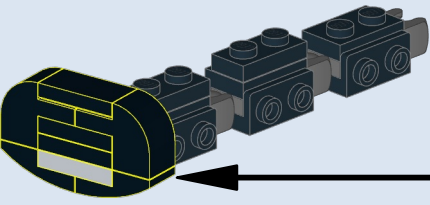
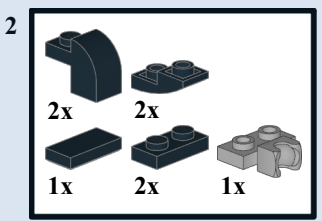
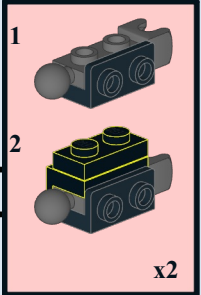
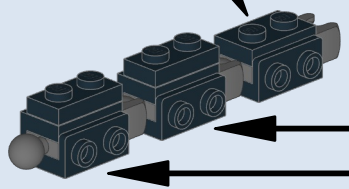
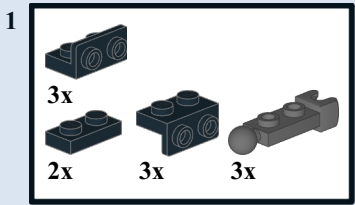
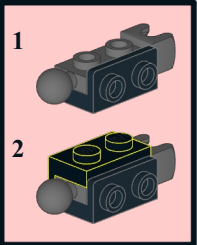
Designed by Hanne Lindberg

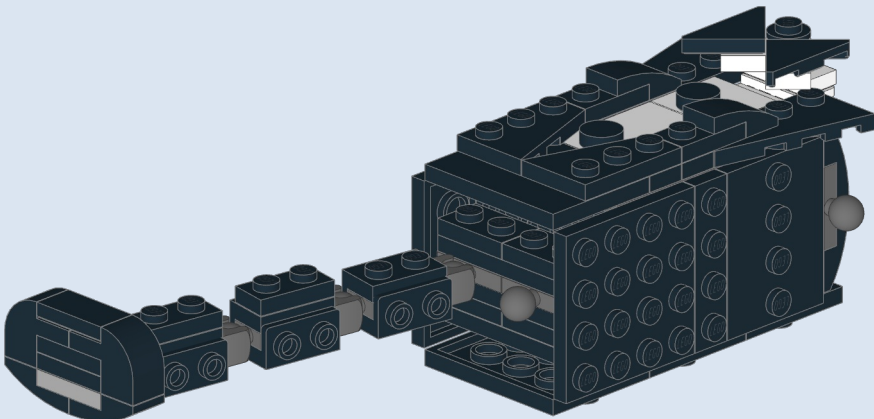
INSTRUCTION BY
KNUD ALBRECHTSEN
www.snakebyte.dk/lego

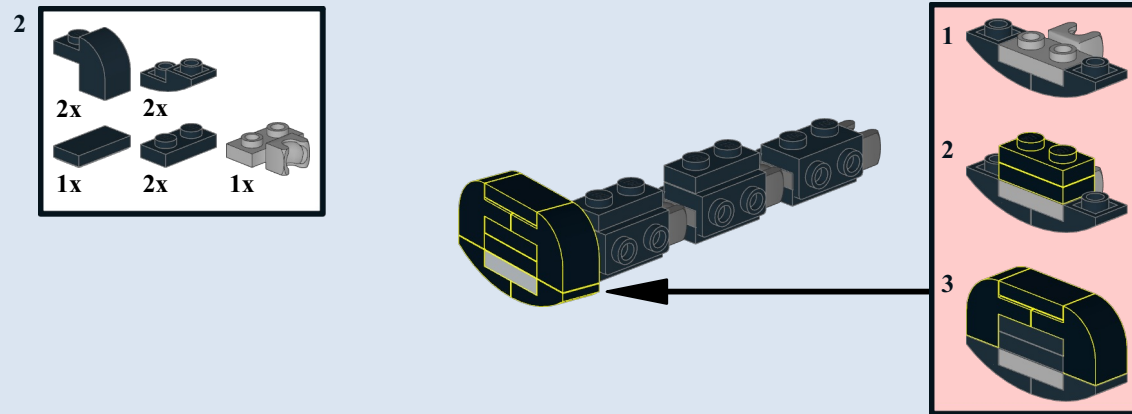
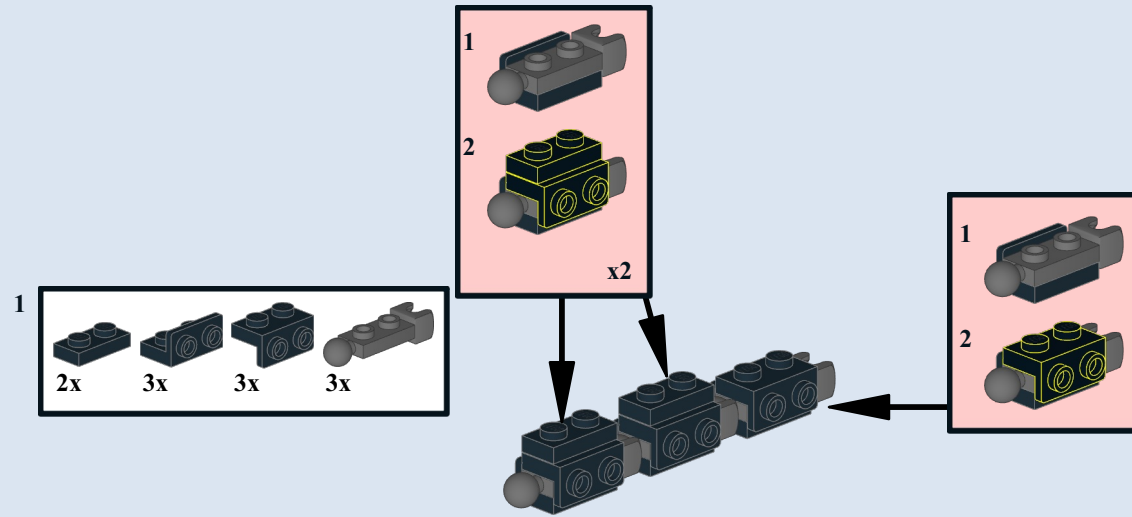


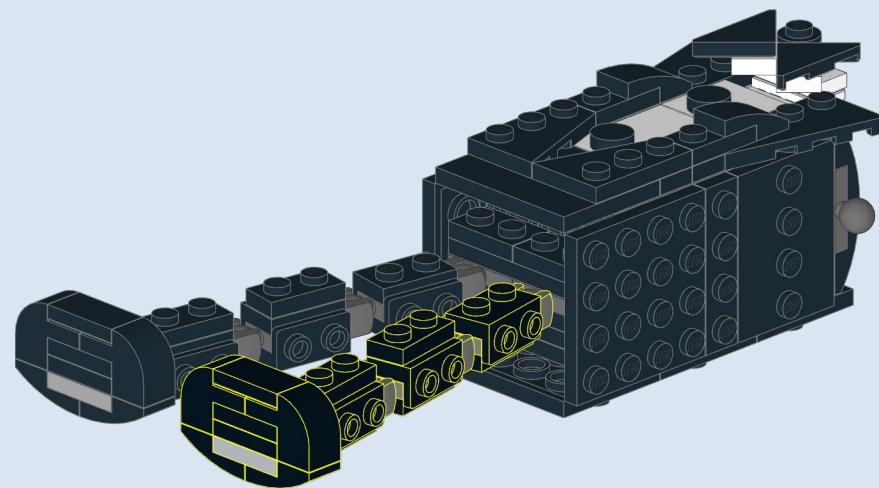


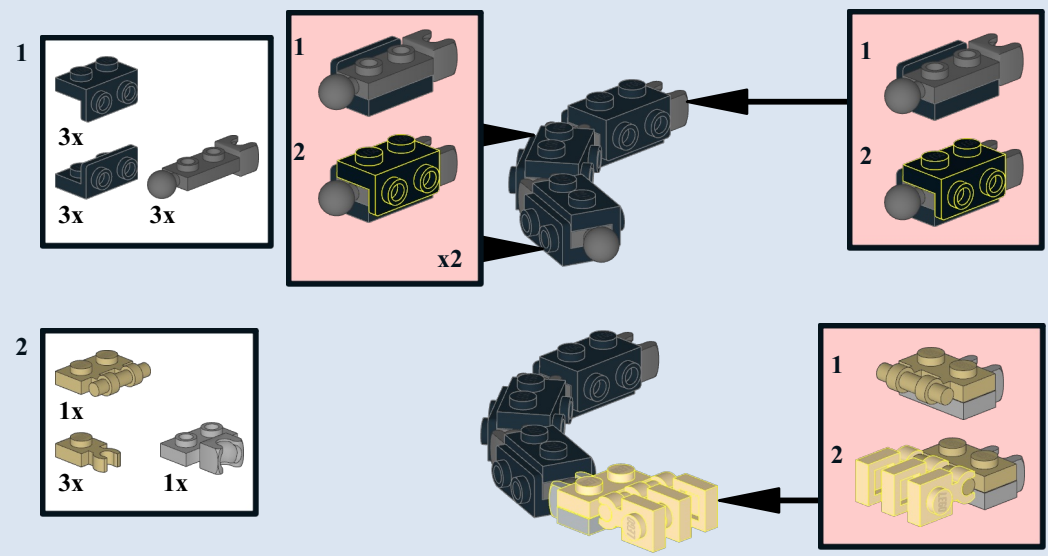


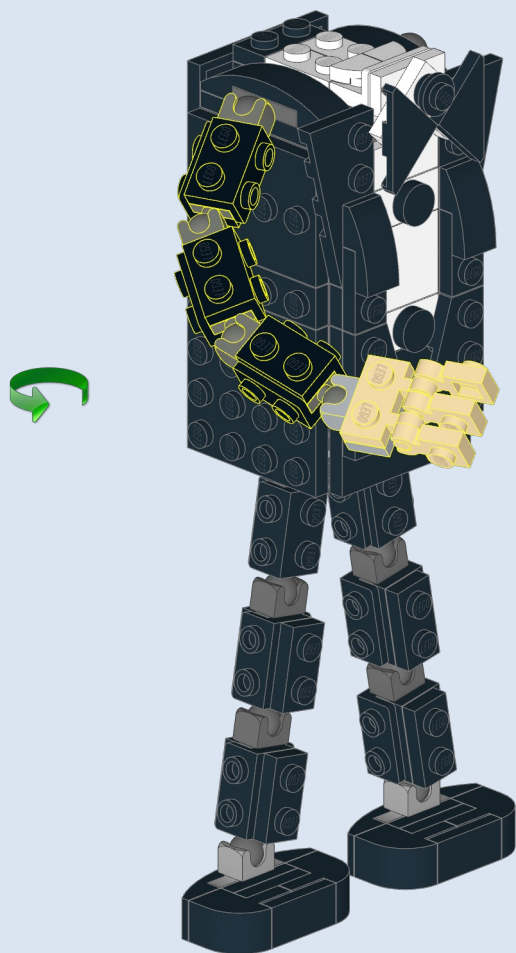


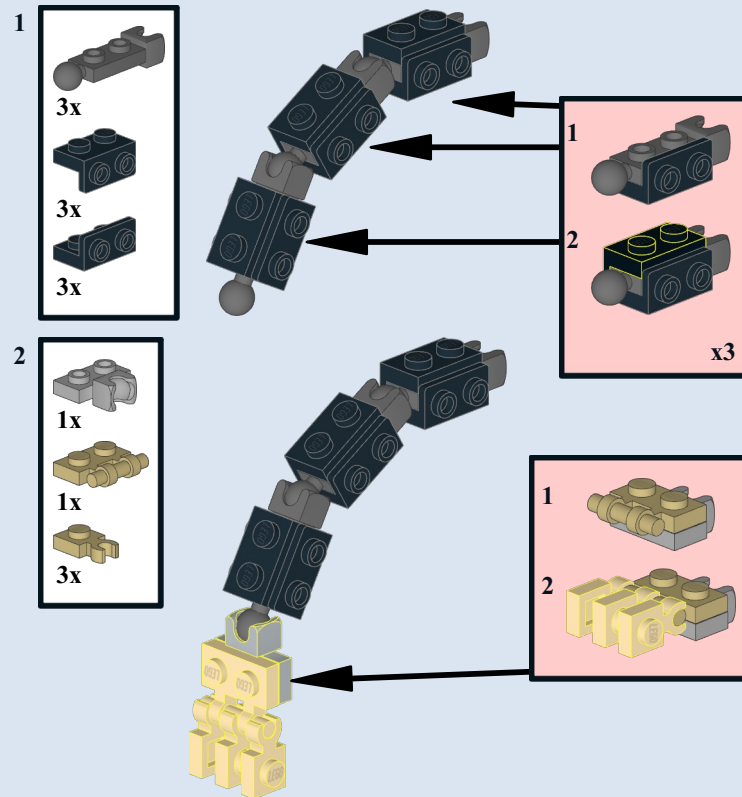




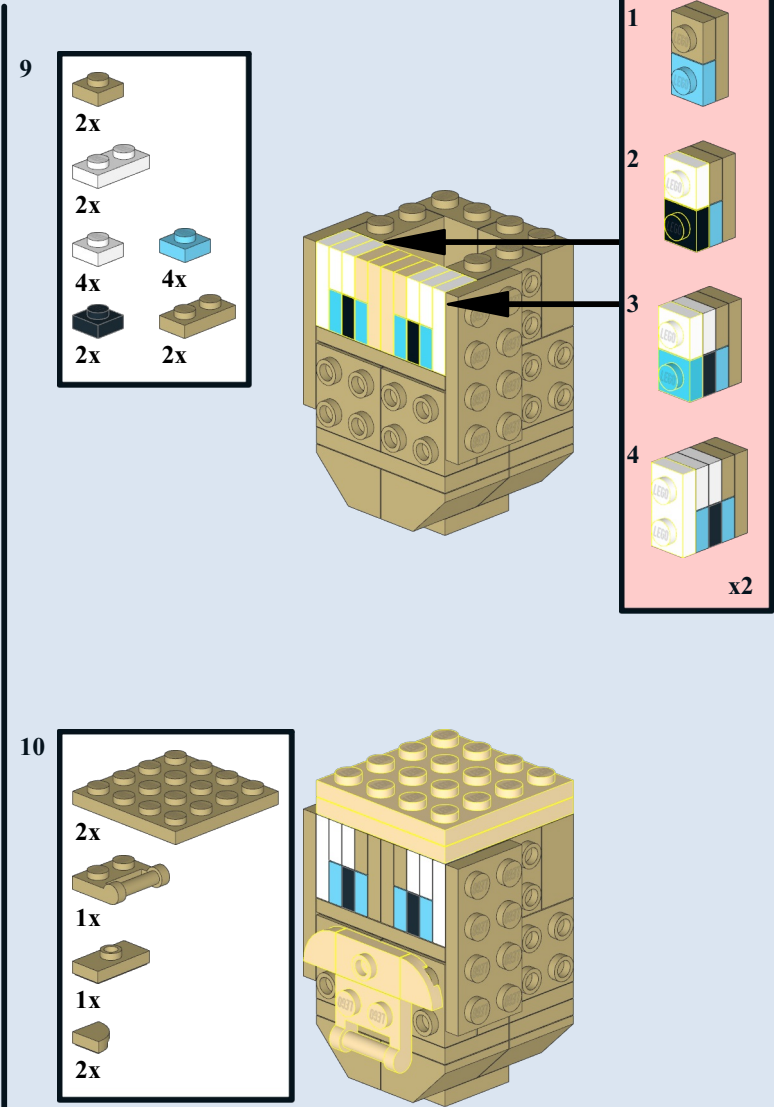
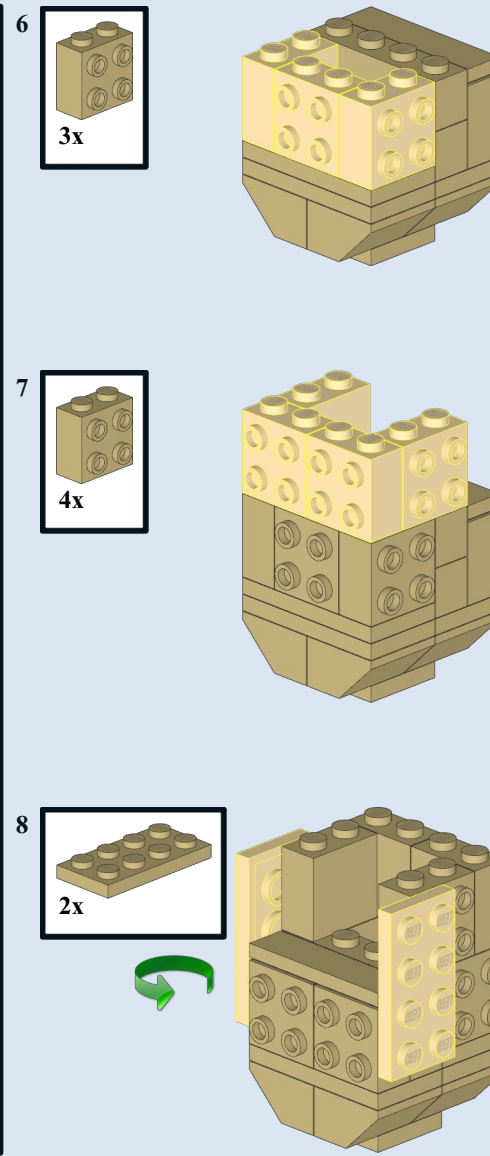
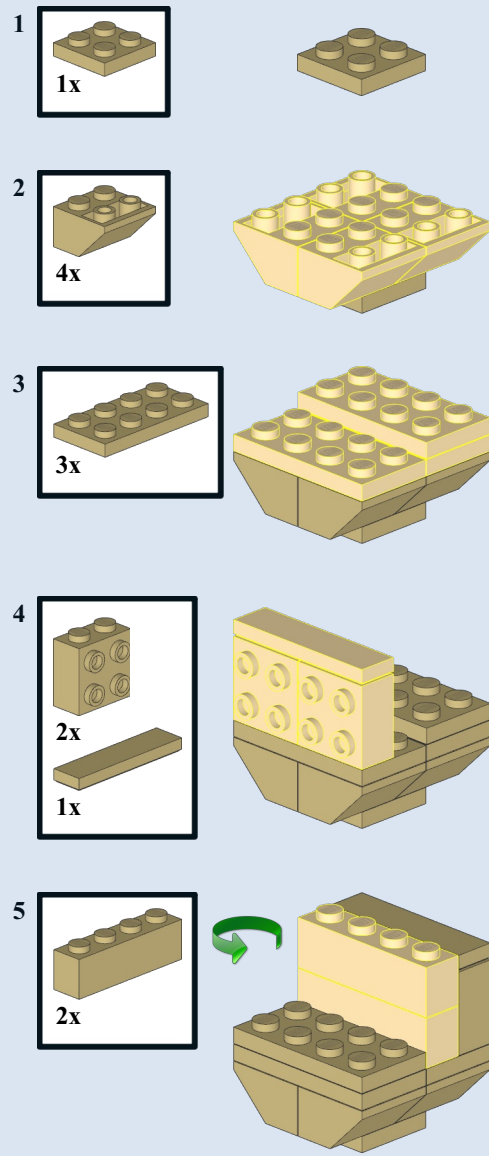


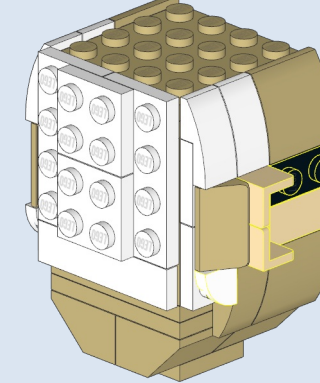
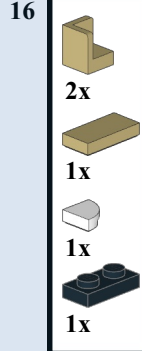
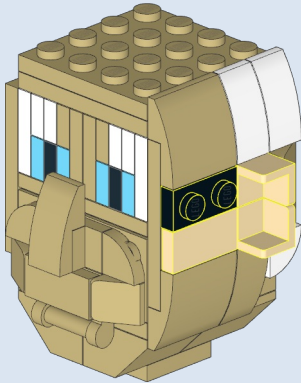
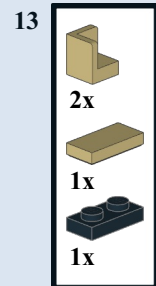
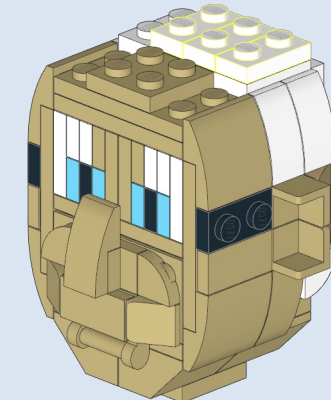
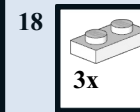
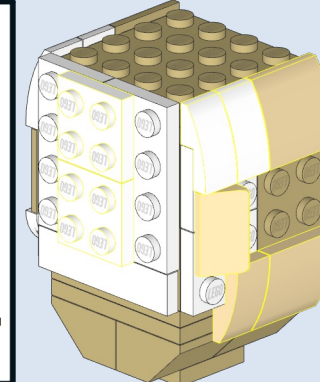
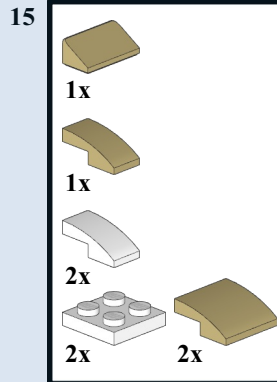
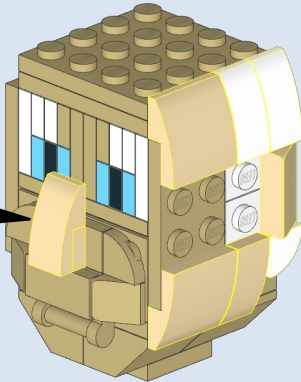
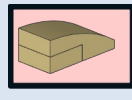
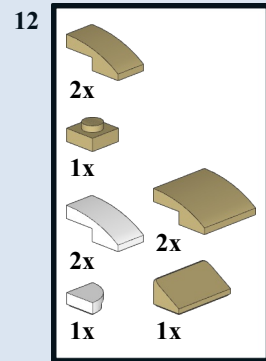
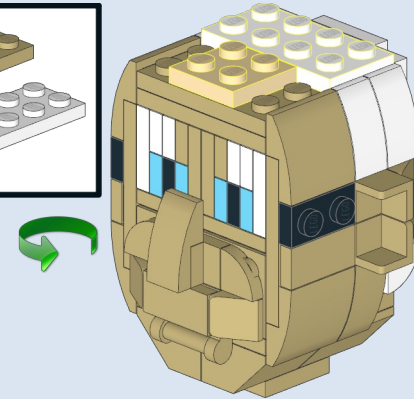
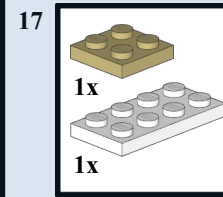
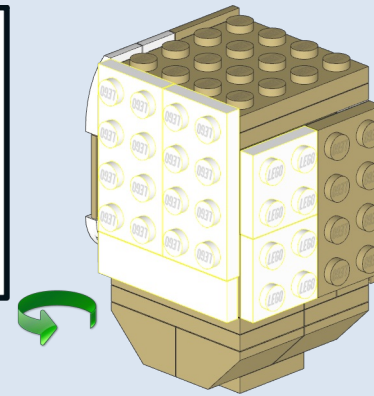
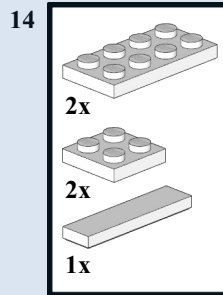
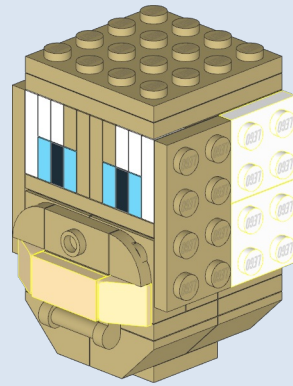
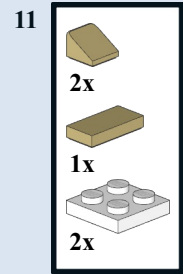




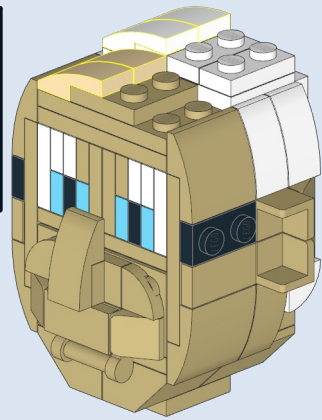
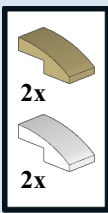




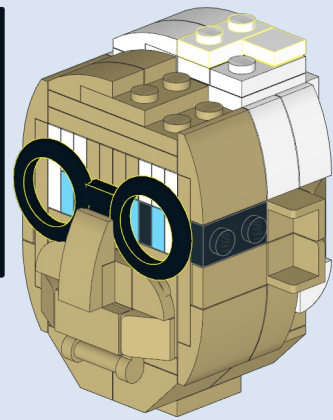
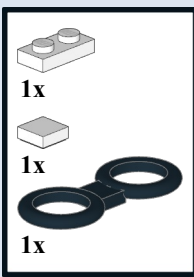




19



20



21

